

Data sheet

# Thermo. operated water valve

## FJVA



Thermo. operated water valves are used for the infinite, proportional regulation of flow quantity, depending on the setting and the sensor temperature.

The Danfoss range of thermo. operated water valves includes a series of industrial products for both cooling and heating regulation. The valves are self-acting, i.e. they operate without the supply of auxiliary energy such as electricity or compressed air.

Because the valves constantly match flow quantity to demand they are especially suitable for temperature regulation.

The required temperature is maintained constant with no overconsumption of:

- cooling water in cooling systems;
- hot water or steam in heating systems

Thus operating economy is always reasonable.

### Features

- Self-acting thermo. operated water valve, which operates without auxiliary energy
- Opens on rising temperature of cooling water
- Valve opening degree is not affected by cooling water pressure differential
- Hand regulation - unique option on the market, which saves installation time
- Regulating range defined for the point at which the valve begins to open

**How it works**

FJVA valves consist of three main elements:

1. Fig 1. Setting section with knob, reference spring and setting scale.
2. Fig 2. Valve body with orifice, closing cone and seal- ing elements.
3. Fig 3. Sensor in hermetically sealed thermostatic element.

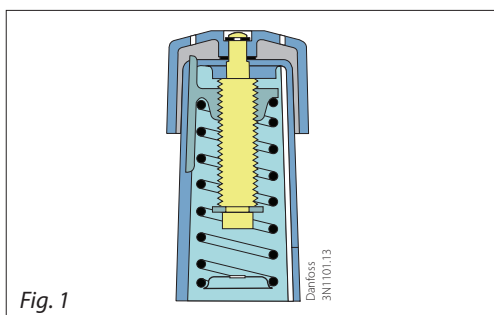


Fig. 1

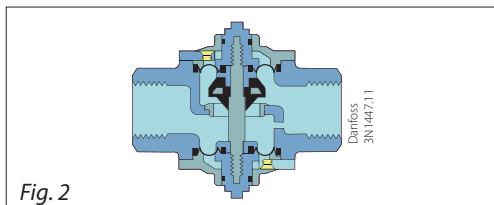


Fig. 2

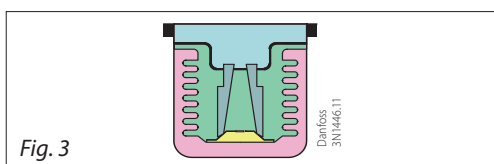


Fig. 3

When the three elements are built together and the valve is installed, the function sequence is as follows:

1. A temperature-dependent pressure - charge vapour pressure - builds up in the sensor.
2. This pressure is transferred to the valve via the bellows and acts as an opening or closing force.
3. The knob on the setting section and the spring exert a force that acts counter to the bellows.
4. When balance is created between the two opposing forces, the valve spindle remains in its position.
5. If the sensor temperature - or the setting - is changed, the point of balance becomes displaced and the valve spindle moves until balance is re-established, or the valve is fully open or closed.
6. On sensor temperature change the flow quantity change is approximately proportional.
7. The illustrations show an FJVA cooling water valve, but the function principle applies to all types of thermostatic valves.

**Application**

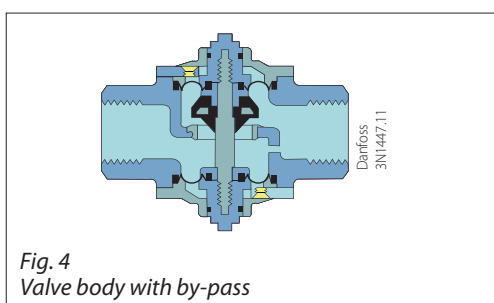


Fig. 4  
Valve body with by-pass

FJVA valves are for applications where, because of installation problems, etc., it is desirable to avoid using a capillary tube. This applies mainly where regulation accuracy requirements are more moderate and where an integral bypass can be accepted.

In FJVA the whole bellows element is used as the sensor. The valve reacts to the cooling water temperature and therefore it must always be installed in the return line. Thus, indirect regulation is involved.

To ensure the medium temperature to influence the thermostatic element, when the valve is closed, a by-pass in the valve (see fig. 4) provides a constant minimal flow through the valve.

Valves of this type operate with significantly longer time constants than AVTA valves where the sensor is located at the point at which the temperature is to be regulated. FJVA is mainly used in systems where large and sudden load changes do not occur.

**Data sheet | Thermo. operated water valve, FJVA**
**Ordering**

Regulation range: 0 – 30 °C  
 Media temperature: -25 – 55 °C  
 Differential pressure: 0 – 10 bar

Type	k <sub>v</sub> value	Bypass <sup>1)</sup>	Connection	Code no.
FJVA 15	1.9	ø2.0	G ½	<b>003N8210</b>
FJVA 20	3.4	ø2.0	G ¾	<b>003N8244</b>
FJVA 25	5.5	ø2.5	G 1	<b>003N8245</b>

Regulation range: 25 – 65 °C  
 Media temperature: -25 – 90 °C  
 Differential pressure: 0 – 10 bar

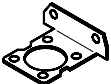

Type	k <sub>v</sub> value	Bypass <sup>1)</sup>	Connection	Code no.
FJVA 15	1.9	ø2.0	G ½	<b>003N8211</b>
FJVA 15	1.9	ø1.5	G ½	<b>003N8247</b>
FJVA 20	3.4	ø2.0	G ¾	<b>003N8215</b>
FJVA 25	5.5	ø2.5	G 1	<b>003N8216</b>

<sup>1)</sup> Bypass k<sub>v</sub>  
 ø2.0 mm: 0.11 m<sup>3</sup>/h  
 ø1.5 mm: 0.06 m<sup>3</sup>/h  
 ø2.5 mm: 0.16 m<sup>3</sup>/h

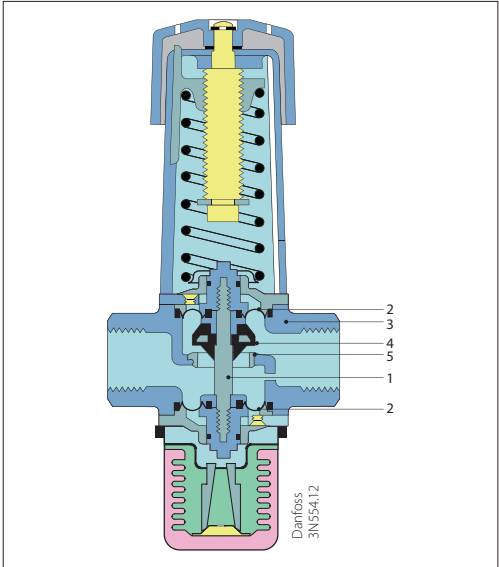
**Spare parts and accessories**
*Service elements*

Temperature range [°C]	Code no.
0 – 30	<b>003N0285</b>
25 – 65	<b>003N0084</b>

*Accessories*

	Designation	Description	Code no.
	Mounting bracket	For FJVA	<b>003N0388</b>
	Set of 3 nitrile (NBR) diaphragms sets for mineral oil	For FJVA 10 FJVA 15 FJVA 20 FJVA 25	<b>003N0448</b>
	Plastic hand knob	For FJVA	<b>003N0520</b>

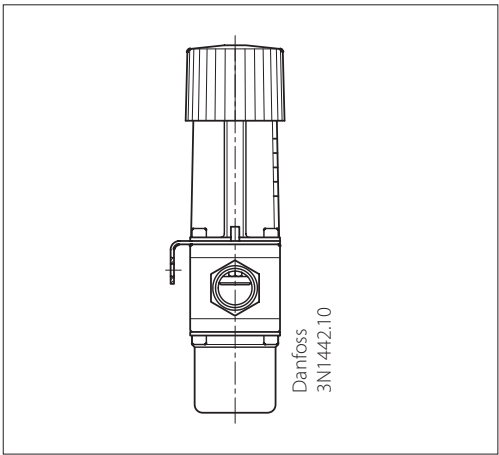
**Materials**



Materials - parts in contact with the medium

No.	Description	Material
1	Spindle	Brass
2	Diaphragms	Rubber - ethylene - propylene (EPDM)
3	Valve body and other metal parts	Forged brass
4	Valve cone	Nitrile rubber (NBR)
5	Valve seat	Stainless steel

**Installation**



The valves can be installed in any position. An arrow on the valve body indicates the direction of flow. FJVA valves are also marked so that the letters RA can be read straightforwardly. The installation of an FV filter ahead of the valve is recommended.

If a mounting bracket is used - see "Accessories" above - it must always be between valve body and setting section (see illustration).

**Sizing**

When sizing and selecting thermo. operated water valve, it is most important to ensure that the valve is able to give the necessary quantity of cooling water at any time, irrespective of the load. Therefore, to select a suitable size of valve, it is necessary to know the precise amount of cooling required. On the other hand, to avoid the risk of unstable regulation (hunting), the valve should not be oversized. The type of charge must be selected on the basis of the temperature to be maintained, and on an assessment of the characteristics of each type, as described in the foregoing.

In general the aim should be to select the smallest valve capable of giving the required flow.

**Valve size**

The following data are used when selecting valve size:

- Required cooling water flow, Q [m<sup>3</sup>/h];
- Temperature rise in cooling water, Δt [°C];
- Differential pressure across valve, Δp [bar]

With fully open valve the differential pressure should be around 50% of the total pressure drop across the cooling system.

The diagrams on pages 6 – 7 are intended to make valve sizing easier.

Fig. 5 - Relation between heat quantity [kW] and cooling water quantity.

Fig. 6 - Graphs of k<sub>v</sub> values.

Fig. 7 - Valve operating range.

Fig. 8 - Flow quantities as a function of pressure drop Δp.

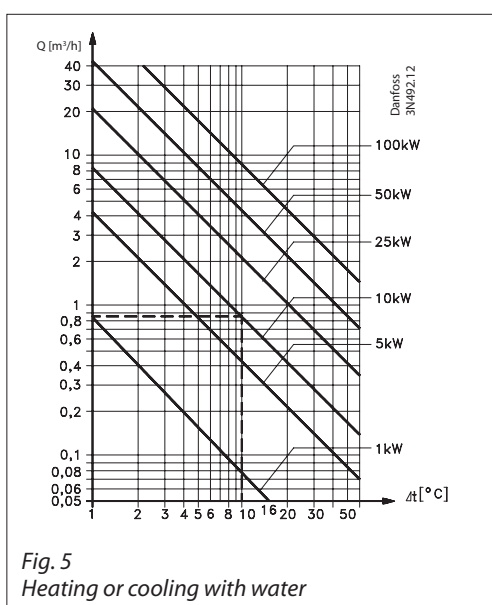
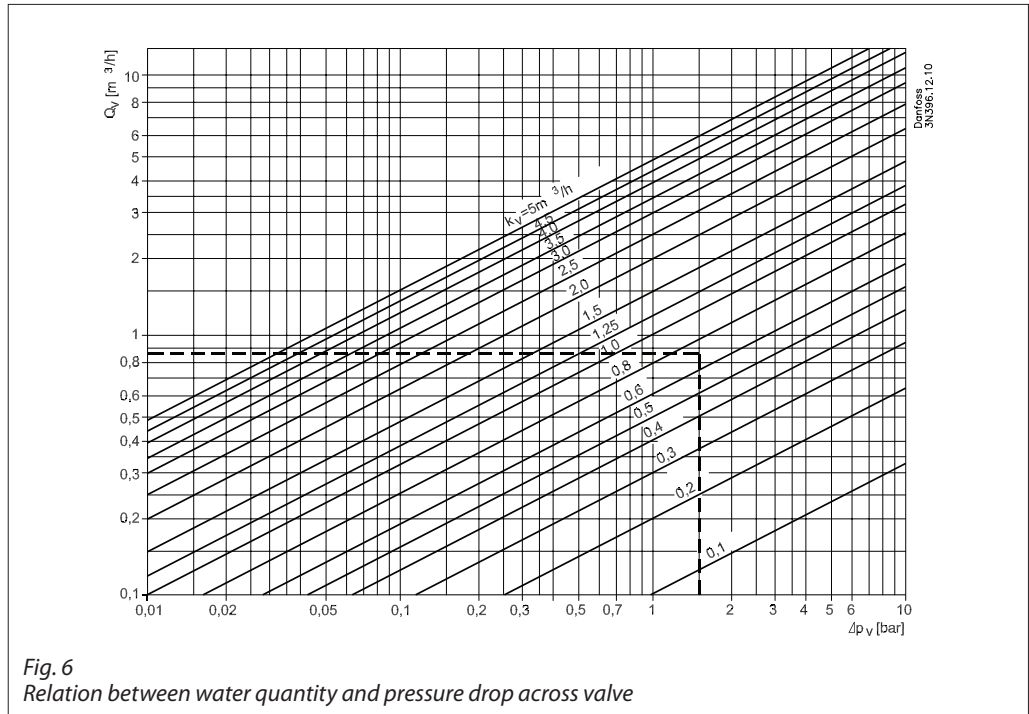


Fig. 5  
Heating or cooling with water

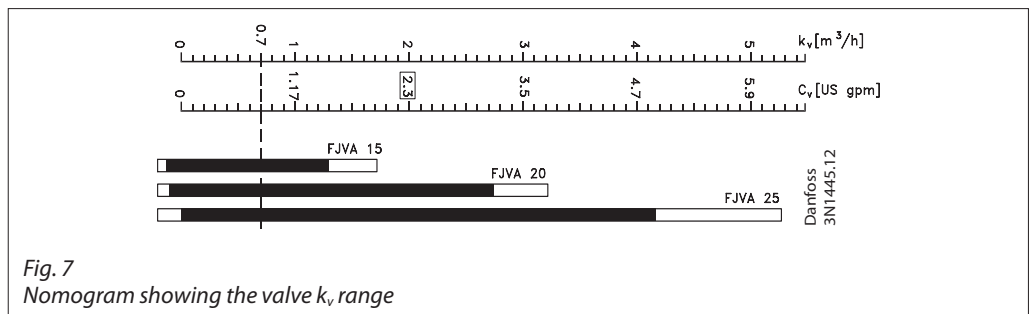
**Example:**

Necessary cooling output 10 kW with Δt = 10 °C.  
Required flow 0.85 m<sup>3</sup>/h.

**Sizing**  
(continued)



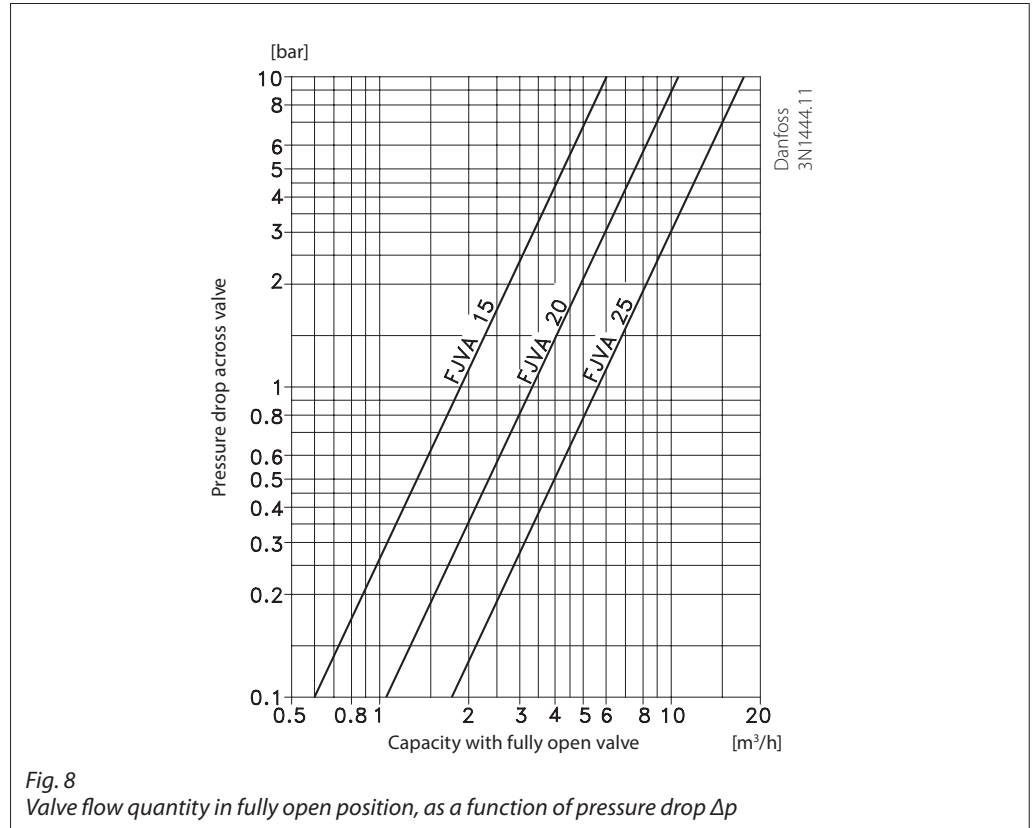
**Example:**  
Flow 0.85 m<sup>3</sup>/h with a pressure drop of 1.5 bar.  
The k<sub>v</sub> value becomes 0.7 m<sup>3</sup>/h.



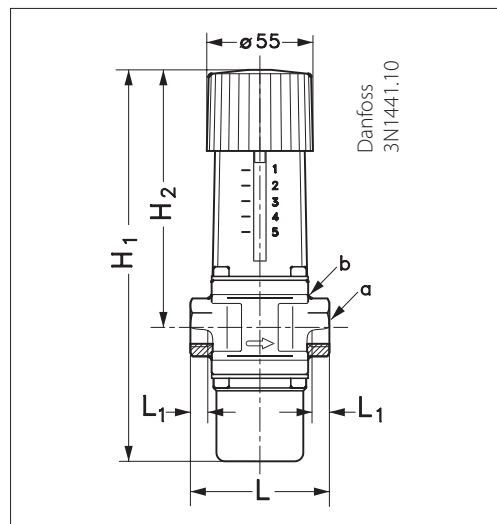
K<sub>v</sub> values are always given for water flow in [m<sup>3</sup>/h] with a pressure drop Δp of 1 bar.  
The valve should be selected so that the necessary k<sub>v</sub> value lies in the middle of the regulation range.

**Example:**  
FJVA 15 are the most suitable for a k<sub>v</sub> value of 0.7.

**Sizing**  
(continued)



**Dimensions [mm] and weights [kg]**



Type	H <sub>1</sub>	H <sub>2</sub>	L	L <sub>1</sub>	a	b	Net weight
FJVA 15	205	133	72	14	G ½	⊕27	0.9
FJVA 20	205	133	90	16	G ¾	⊕32	1.0
FJVA 25	215	138	95	19	G 1	⊕41	1.1

Danfoss can accept no responsibility for possible errors in catalogues, brochures and other printed material. Danfoss reserves the right to alter its products without notice. This also applies to products already on order provided that such alterations can be made without consequential changes being necessary in specifications already agreed. All trademarks in this material are property of the respective companies. Danfoss and the Danfoss logotype are trademarks of Danfoss A/S. All rights reserved.