

WARRANTY EXTENSION FOR UP TO FIVE YEARS



B-SAFE

Available for just about our entire product range, the BITZER warranty extension pack offers a simple and affordable solution for extending warranty coverage. For a fraction of the compressor's or product's price, customers can extend their warranty by up to five years. This highly adjustable solution is available on a case-by-case basis, with a term that can be adapted to meet your customers' needs. A simple online registration process will initiate the extension, giving your customers peace of mind for years to come.

- // Available for almost any product
- // Flexible term of up to five years
- // Self-explanatory online registration

FREE ONE-YEAR WARRANTY EXTENSION FOR ALL INTELLIGENT PRODUCTS



B-SAFE



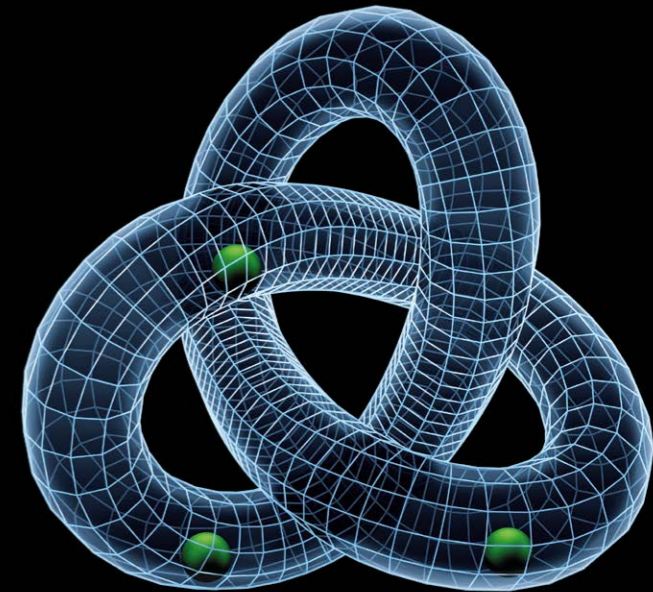
INTELLIGENT
PRODUCTS

INTELLIGENT PRODUCTS (IQ) by BITZER ensure efficient compressor operation as well as reliable availability within the operating range. At BITZER, we wholeheartedly believe in the benefits provided by this new concept, as demonstrated by our complimentary one-year warranty extension. All BITZER IQ products benefit from free storage of commissioning reports and data logs provided by the IQ MODULE and BEST SOFTWARE.

- // Efficient operation and availability
- // One-year extension at no cost
- // Free storage of reports and data logs

GET THE BEST OUT OF YOUR COMPRESSOR: WITH BITZER ORIGINAL ACCESSORIES AND REFRIGERATION OILS

AF-710-1 EN



 BITZER
SPOT APP

(Scan for online registration)

BITZER Kühlmaschinenbau GmbH

Peter-Schaufler-Platz 1

71065 Sindelfingen // Germany

Tel +49 7031 932-0 // Fax +49 7031 932-147


bitzer@bitzer.de // www.bitzer.de

Subject to change // 80006801 // 08.2019

 RECIPROCATING
COMPRESSORS

 SCREW
COMPRESSORS

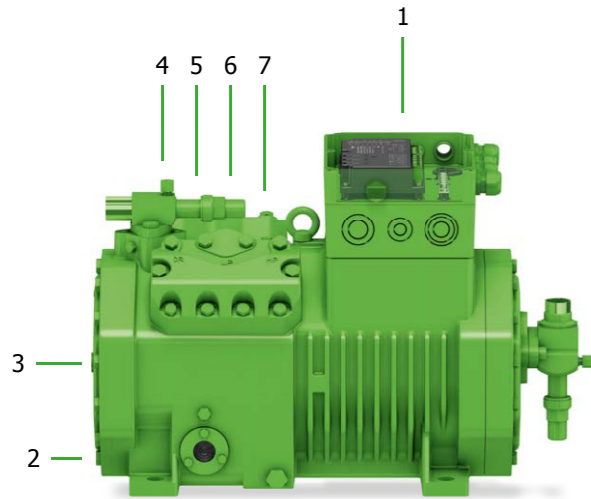
 IQ
INTELLIGENT
PRODUCTS

 SPARE PARTS
AND OIL

 B-SAFE

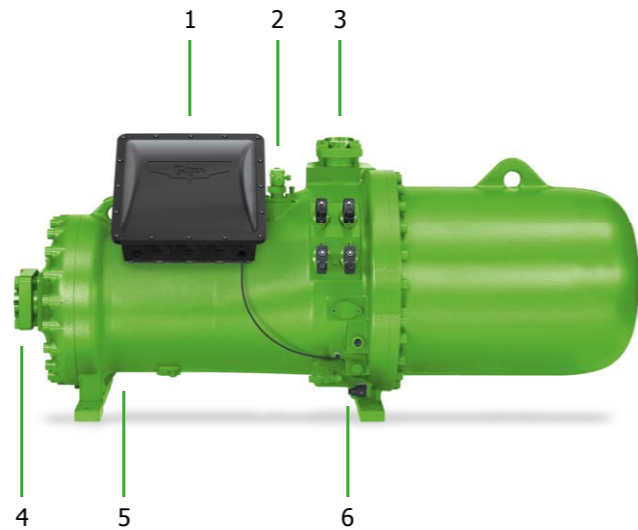
SELECTION OF ACCESSORIES

RECIPROCATING COMPRESSORS



1. IQ MODULE
2. Oil heater
3. Oil level control
4. VARISTEP
5. Additional fan
6. Start unloader (SU)
7. Refrigerant injection (on the backside)

SCREW COMPRESSORS



1. SE-i1 (Intelligent protection module)
2. Adaptor for economiser
3. Discharge shut-off valve
4. Suction shut-off valve
5. Liquid injection (on the backside)
6. Oil level control

SELECTION OF REFRIGERATION OILS

Reciprocating compressors	BSE32	BSE55	B5.2	BSE60K	BSE85K	BSG68K	KC68
Semi-hermetic and open type	HFC (R134a, R407C, R404A ...) HFO, HFO/HFC blends	HFC (R134a, tc > 70°C)	R22				
Semi-hermetic CO₂ subcritical				CO ₂	CO ₂	CO ₂	
Semi-hermetic CO₂ transcritical					CO ₂	CO ₂	
Semi-hermetic R410A		HFC (R134a, tc > 70°C)					
Open type ammonia							NH ₃

Screw compressors (Semi-hermetic and open drive)	BSE170	BSE170L	BSE55	B320SH	B150SH	B100	KC68	SHC226E
CSH	HFC, HFC blends, HFO, HFO blends			R22				
CSH.6	R134a, R513A, R450A, R1234yf, R1234ze(E)	R134a, R513A, R450A, R1234yf, R1234ze(E)						
CSW		HFC, HFC blends, HFO, HFO blends	R134a, R513A, R450A	R22				
CSVH	R134a, R513A, R450A, R1234yf, R1234ze(E)							
CSVW		R134a, R513A, R450A, R1234yf, R1234ze(E)						
HS // OS	HFC, HFC blends, HFO, HFO blends				R22	R22		
OSA							NH ₃	NH ₃

Scroll compressors	BVC32	BSE35K
GSD/GSU/GED	R410A, R454B, R452B, R32	
ESH7 series		R134a, R407C, R404A, R507A, R22

For more original accessories, please scan the following QR codes:



ePARTS
SOFTWARE



BITZER
SOFTWARE



SPARE PARTS
AND OIL