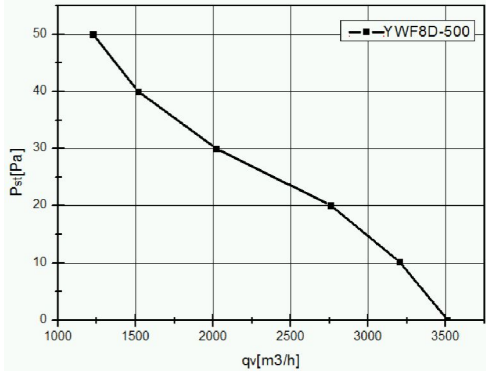


DRAWING NO

FAN CURVE:

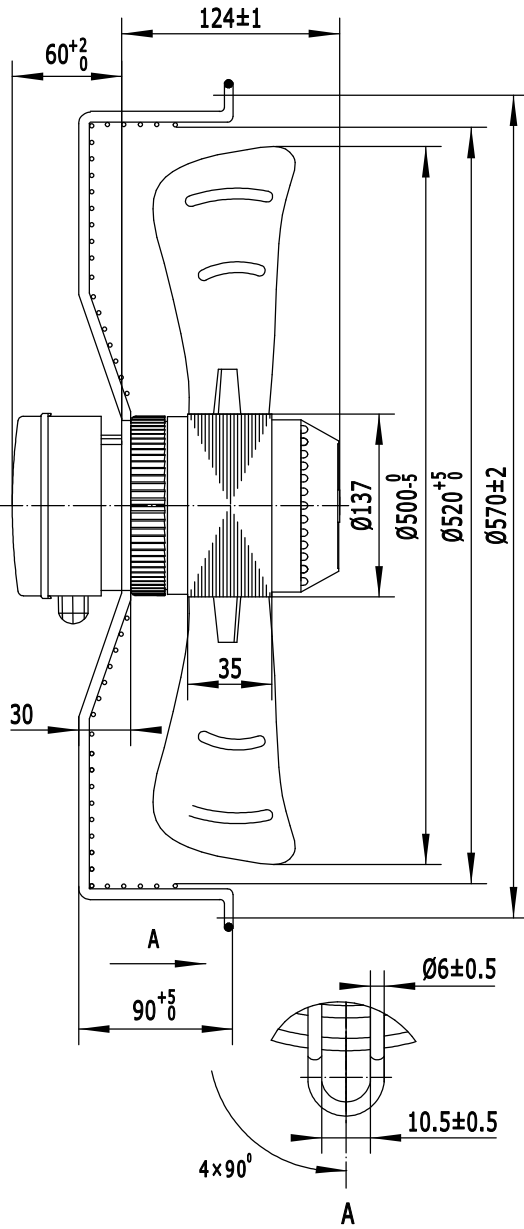
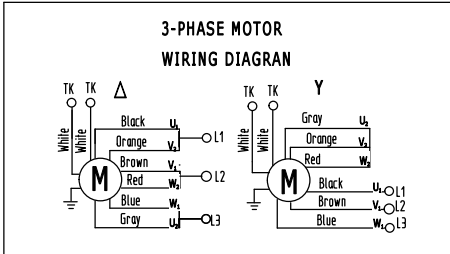


sucking
Direction of airflow "S"

LABEL:

WEIGUANG Axial Fan Motor
WF8D-500S-102/35-G
 Δ 380V 50Hz 0.47A 52/130W 700r/min
 Y 380V 50Hz 0.16A 28/70W 635r/min
 CL.B IP54 XX/XX

Wiring diagrams:



Axial fan motor

HANGZHOU WEIGUANG ELECTRONIC CO.,LTD

Unit: axial fan motor

Type:

Motor: Three phases motor

Customer:

Motor type: YWF8D-500S-137/35-G

Customer-type:

TYPE	Voltage v	Frequency Hz	Input power W	Current A	Speed r/min +/-5%	Air volume m³/h	noise level dBA	capacitor μ F/ VDB
YWF8D-500S-137/35-G	Δ 380	50	130	0.47	700	/	64	/
	Y 380	50	70	0.16	635	/	61	/

Insulation class : B

Operating type: S₁

Permissible ambient temperature : -30~60℃

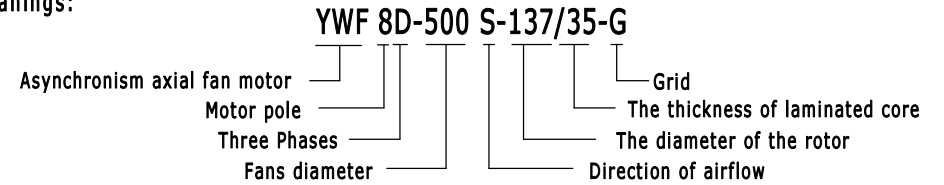
Temperature increase: ΔT≤75k

Motor protection:thermocontact 135±5℃

Bearings: ball bearings

License: CE CCC

Model meanings:



Electrical connection:lead wire Silikon 9G 0.75mm², Length 100mm in terminal box connected

Direction of rotation: clockwise(sucking), Airflow direction:"S" looking at rotor side

APPROX. WEIGHT

MEANS

REV.	DESCRIPTION	APPROVED	DATE	DECIMAL	TOLERANCE	SIGN	DATE	TITLE
				X	±0.5	DRN.BY		YWF8D-500S-137/35-G
				X.X	±0.25	CHD.BY		
				X.XX	±0.15	ENG.BY		
				ANGLE	±3°	APP.BY		PROJECTION
								A4 SCALE SHEET: of