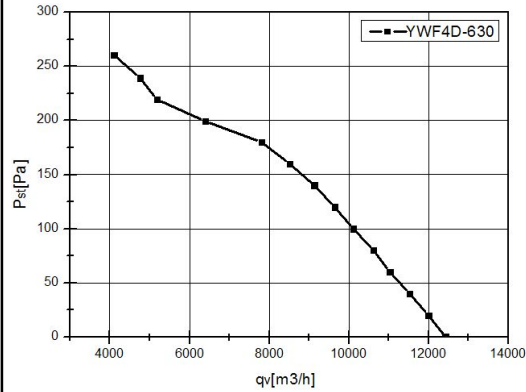


DRAWING NO

FAN CURVE:

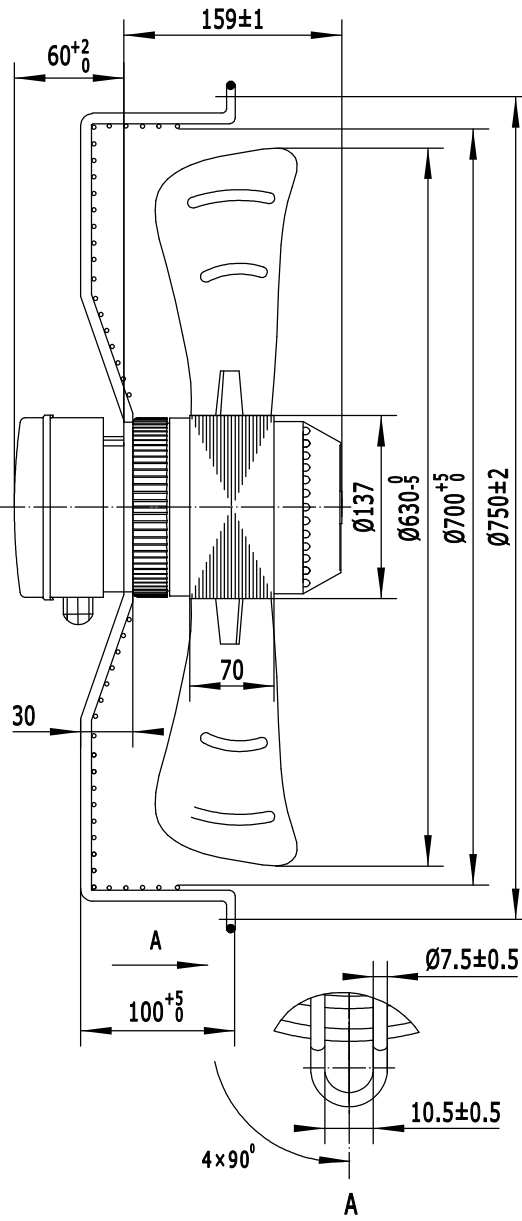
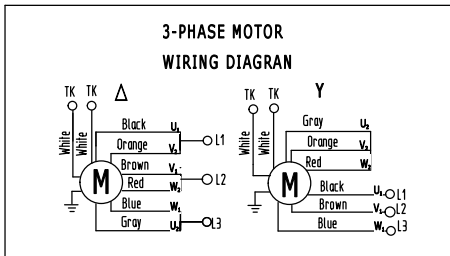


sucking
Direction of airflow "S"

LABEL:

WEIGUANG Axial Fan Motor
YWF4D-630S-137/70-G
 Δ 380V 50Hz 1.80A 550/880W 1320r/min
 Y 380V 50Hz 1.20A 380/600W 1050r/min
 CL.B IP54 XX/XX

Wiring diagrams:



Axial fan motor

HANGZHOU WEIGUANG ELECTRONIC CO.,LTD

Unit: axial fan motor

Type:

Motor: Three phases motor

Customer:

Motor type: YWF4D-630S-137/70-G

Customer-type:

TYPE	Voltage v	Frequency Hz	Input power W	Current A	Speed r/min +/-5%	Air volume m³/h	noise level dBA	capacitor μ F/ VDB
YWF4D-630S-137/70-G	Δ 380	50	880	1.80	1320	/	75	/
	Y 380	50	600	1.20	1050	/	73	/

Insulation class : B

Operating type: S₁

Permissible ambient temperature : -30~60℃

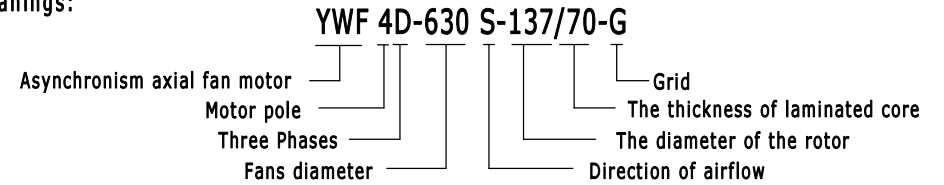
Temperature increase: ΔT≤75k

Motor protection:thermocontact 135±5℃

Bearings: ball bearings

License: CE

Model meanings:



Electrical connection:lead wire Silikon 9G 0.75mm² , Length 100mm in terminal box connected

Direction of rotation: clockwise(sucking), Airflow direction:"S" looking at rotor side

APPROX. WEIGHT

MEANS

REV.	DESCRIPTION	APPROVED	DATE	DECIMAL	TOLERANCE	SIGN	DATE	TITLE	
				X	±0.5	DRN. BY		YWF4D-630S-137/70-G	
				X.X	±0.25	CHD. BY			
				X.XX	±0.15	ENG. BY			
				ANGLE	±3°	APP. BY			
								PROJECTION	
								A4	SCALE
								SHEET: of	