

Data sheets

For standard refrigerants > Standard series

Technical data:		
Cylinders	#	2
Displacement @ 50 Hz	m3/h [50Hz]	11.3
Displacement @ 60 Hz	m3/h [60Hz]	13.5
Motor version[1]		1
Nominal Motor power	HP	2
Nominal Motor power	kW	1.5
Motor voltage at 50 Hz[2]	V/ph/Hz	220-240V - 380-420V/3/50Hz DOL
Motor voltage at 60 Hz[2]	V/ph/Hz	265-290V - 440-480V/3/60Hz DOL
RSH Head capacity control steps	%	100-50
MRA, max operating current at 230V/50Hz and 280V/60Hz	A	12.4
MRA, max operating current at 400V/50Hz and 460V/60Hz	A	7.1
LRA, max starting current at 230V/50Hz and 280V/60Hz, DOL motor	A	62.5
Frequency min	Hz	30
Frequency max[3]	Hz	87
Control and protection device		INT69®
Electric terminal box class protection		IP56
Maximum pressure HP	bar	30
Maximum pressure LP	bar	20.5
Oil type[4]		POE32
Oil charge (3/4 of sight glass)	l	1.1
Lubrication type		Centrifugal
Suction valve (SV)	inch	7/8
Discharge valve (DV)	inch	5/8
Net weight	kg	45
Max Length	mm	369
Max Width	mm	242
Max Height	mm	294
Rubber mounts diameter	mm	30
Rubber mounts height	mm	30
Rubber mounts shore	sh	45
Sound power level (-10/45, R404A)[5]	dB(A)	66.3
Sound pressure level @ 1m (-10/45, R404A)[5]	dB(A)	58.3
Compressor body material		Ghisa GJL250
Motor protection		PTC
Oil level sight glass	#	1
LRA, max starting current at 400V/50Hz and 460V/60Hz, DOL motor	A	35.9

- [1] Motor version: 1 = high and mid temp. all refrigerants; 2 = low and mid temp. all refrigerants; 3 = ECOinside, low temp. R134a, R1234ze, R1234yf only
- [2] Other motor voltage available on request
- [3] Maximum frequency depends on the working conditions: use the FSS.3 (Frascold selection software)
- [4] For alternative lubricants refer to bulletin FTECO22
- [5] Sound pressure in free field, hemispherical model at 1 meter distance, 50Hz; PWL and SPL in different conditions are available on

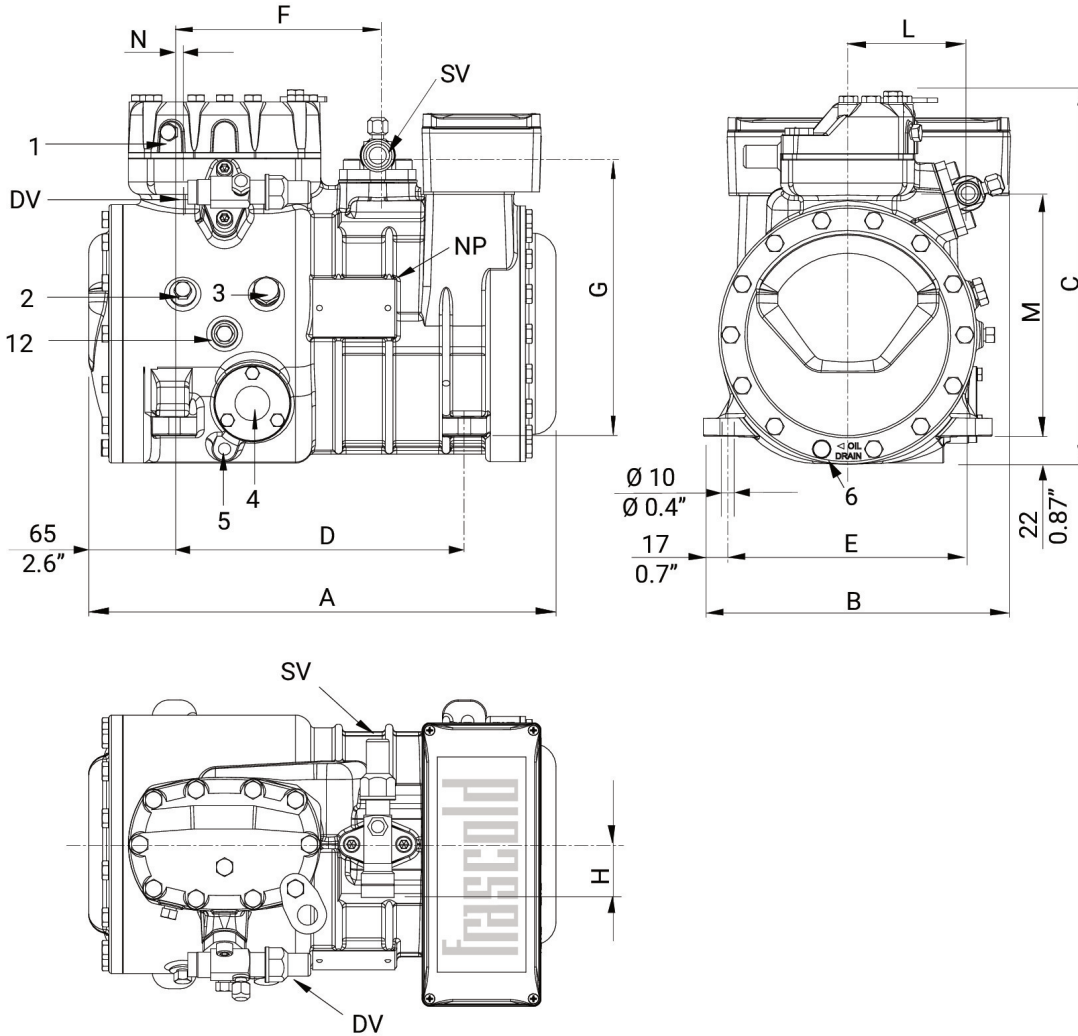
Data sheets

For standard refrigerants > Standard series

Accessories:	
Water cooled head	T00SK50020
Electronic control module - INT 69 Diagnose (230/110V)	T00EC01D-RIC
Oil heater (230V-50W)	T00CH13-RIC
Head cooling fan - 230V/1/50-60Hz	SZ-FM1
Electronic oil level regulator - INT280 Diagnose 230V AC	T00EC1900
Kit adapters for oil equalization line - 1" ROT 5/8" ODS	T00SK170200
Kit adapters for oil equalization line - 1"1/4 ROT 1"1/8 ODS	T00SK170300
RSH capacity control head 230V AC	T00SK220330
DP Modbus Gateway	T00EC59
Connection cable Modbus Gateway - INT69	T00EC64

Data sheets

For standard refrigerants > Standard series



Dimensional drawing:

SV Suction valve (SV)	mm	22.2
DV Discharge valve (DV)	mm	15.8
SV Suction valve (SV)	inch	7/8
DV Discharge valve (DV)	inch	5/8
A Length (A)	mm	369
B Width (B)	mm	242
C Height (C)	mm	294
D Base mounting (D)	mm	234
E Base mounting (E)	mm	194
F Suction valve (F)	mm	165
G Suction valve (G)	mm	221
H Suction valve (H)	mm	42
L Discharge valve (L)	mm	94
M Discharge valve (M)	mm	192
N Discharge valve (N)	mm	13
1 High pressure plug (1)		1/8" NPT

2 Low pressure plug (2)	1/8" NPT
3 Oil charge plug (3)	1/4" GAS
4 Oil level sight glass (4)	-
5 Crankcase heater (5)	-
6 Oil drain plug (6)	M8 x 22
12 Oil return plug (12)	1/8" NPT
NP Name Plate (NP)	-