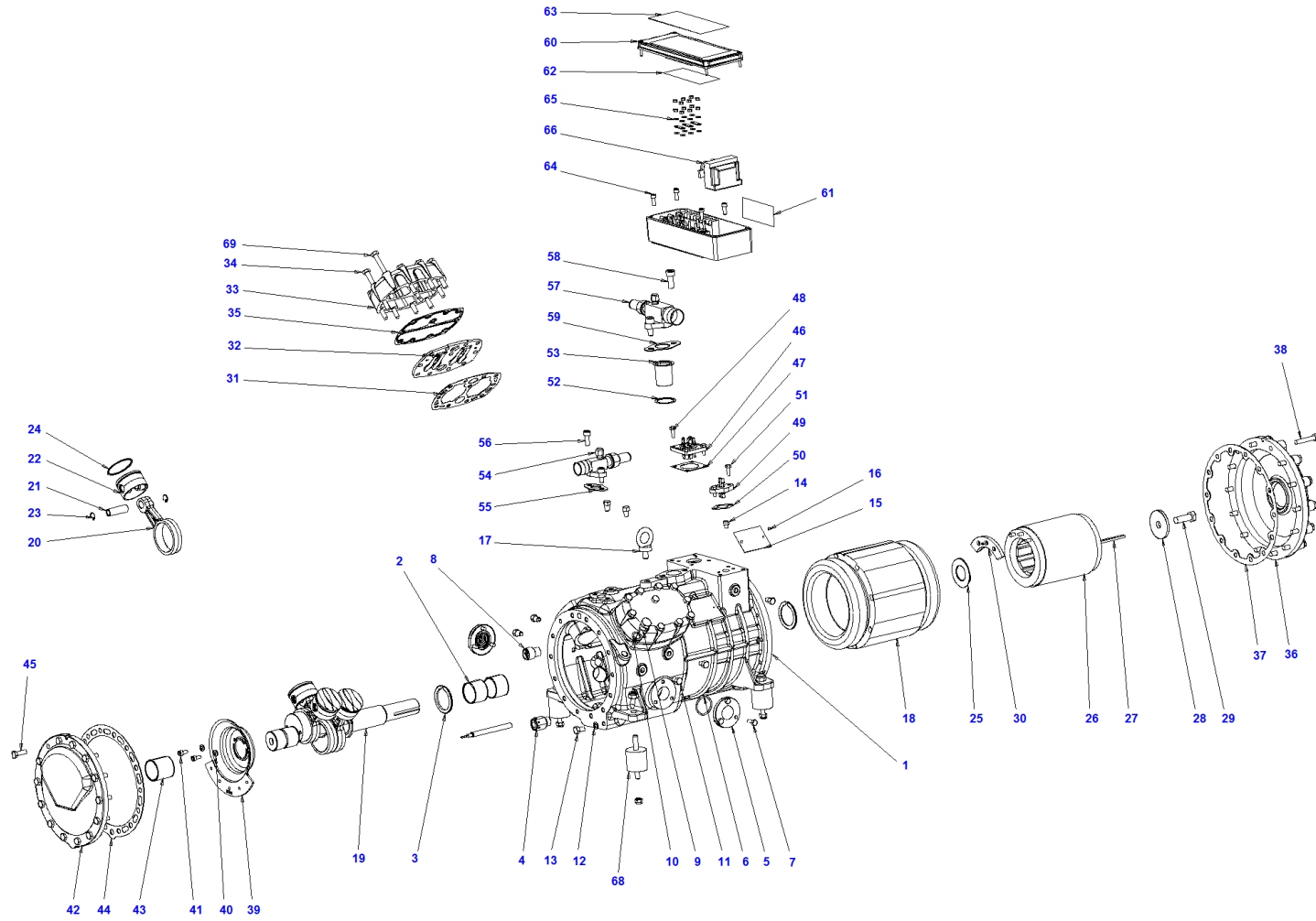


Q 7 33.1 Y



Pos.	Code	Description	Quantity	Note	Notice:
1	S4031001AA	Compressor body	1		
2	S4321013	Main friction bearing	2		
3	S4031011	Thrust collar	2		
4	S450A070	Oil return valve	1		
5	SOS1	Oil sight glass	2		
6	S3131OR	O-ring for oil sight glass	2		
7	TE1006016	Screw M6x16 UNI5739	6		
8	S402A076	Pressure regulatng valve	1		
9	S1451130	Plug 1/4" gas ISO 228/1	1		
10	S1351056	Gasket	1		
11	S1251130	Plug 1/8 NPT	7		
12	S1451056	Gasket	1		
13	TE1008014	Screw M8x14 UNI5739	1		
14	TS4006008	Screw M6x8 ISO 7045	1		
15	ML_Q	Nameplate	1		
16	RI1025035	Rivet	2		
17	GO1010000	Golfare M10	1		
18	RS10T01AMS	Stator 230-400 / 3 / 50 DOL	1		
19	S4031002AA	Shaft	1		
20	S4031003AA	Connecting rod	4		

Pos.	Code	Description	Quantity	Note	Notice:
21	S4031005A	Piston pin	4		
22	S4031004	Piston	4		
23	S1251149	Circlip	8		
24	S4034001	Fosfating ring	4		
25	S3601011	Thrust collar	1		
26	RR10S	Rotor	1		
27	S1301063	Key 5x5x70	1		
28	S4501045	Washer	1		
29	TE1012035	Screw M12x35 UNI5739	1		
30	S3651017	Counterweight	1		
31	S2451031	Gasket valve plate - body	2		
32	S2451026-HL	Valve plate	2		
33	S4041007AA	Head	2		
34	TE1208060	Screw M8x60 UNI5737	14		
35	S2451032	Gasket valve plate - head	2		
36	S4031010AA	Suction flange	1		
37	S3621034C	Suction flange - body gasket	1		
38	TE1208045	Screw M8x45 UNI5737	14		
39	S4031008	Oil splashing disc	1		
40	RO2006011	Washer 6x10 UNI 1751A	2		

Pos.	Code	Description	Quantity	Note	Notice:
41	TC4006012	Screw M6x12 UNI5931	2		
42	S3621009AA	Flange	1		
43	S4031012-A	Main friction bearing	1		
44	S3621033	Flange gasket	1		
45	TE1008025	Screw M8x25 UNI5739	14		
46	T00EC02A	Connections plate	1		
47	S1251043	Connections plate gasket	1		
48	TE1006016	Screw M6x16 UNI5739	4		
49	T00EC05	Thermistor terminal	1		
50	S1251036C	Thermistor gasket	1		
51	TE1006016	Screw M6x16 UNI5739	2		
52	S3601055B	Filter valve gasket	1		
53	S3621038-A	Suction strainer	1		
54	T00VRS034041	Valve 1' 1/8	1		
55	S2481058	Valve gasket	1		
56	TC2408020	Screw M8x20 UNI5931	2		
57	T00VRS053055	Valve 1' 3/8	1		
58	TC2410025	Screw M10x25 UNI5931	2		
59	S3621055C	Valve gasket	1		
60	S249A039	Terminal box	1		

Pos.	Code	Description	Quantity	Note	Notice:
60	S4011039A	Terminal box	1	For INVERTER	
61	M199-00	Cablepress holes-making adhesive scheme	1		
62	M053-00	Starting drawing	1		
63	M066-00	Security operation drawing	1		
64	TC2006016	Screw M6x16	4		
64	TC2406020	Screw M6x20 UNI5931	4	For INVERTER	
65	SK261100	Staple bars kit	1		
66	EC01D-RIC	Electronic module diagnose 115/230V AC 50/60 Hz	1		
68	SK205080	Rubber vibration absorber kit	1		
69	TE1208035	Screw M8x35 UNI5737	8		
	S403A004	Piston kit	1		
	SK100340	Valve kit	1		
	SK100530	Valve kit	1		
	SK1220	Gasket kit	1		
	SK131960	Connecting rod/piston kit	4		
	SK140600	Friction bearing kit	1		
	SK170100	Oil sight glass kit	1		
	SK180300	3 ph terminal box kit	1		
	SK180500	INVERTER terminal box kit	1		Only for SHAPE1 and SHAPE2. For SHAPE3 please order SK180300
	SK233211	Complete electric motor - 400 / 3 / 50 DOL	1		

Pos.	Code	Description	Quantity	Note	Notice:
	SK24802	Valve plate kit	2		
	SK260200	3 ph electric connections kit	1		
	SK260300	3 ph thermistor connectors kit	1		
	SK50110	Lowered head kit model Q	2		