

General Characteristics

Model number (on compressor nameplate)		VLZ028TGNE9A
Code number for Singlepack*		120G0162
Code number for Industrial pack**		120G0164
Drawing number		0VG8213b
Suction and discharge connections		Brazed
Suction connection		3/4 " ODF
Discharge connection		1/2 " ODF
Oil sight glass		Threaded
Oil equalisation connection		None
Oil drain connection		1/4" flare
LP gauge port		None
IPR valve		Yes
Swept volume		27.8 cm3/rev
Net weight		26 kg
Oil charge		1.36 litre, POE - RL46HB
Maximum number of starts per hour		6
Refrigerant charge limit		3.6 kg
Approved refrigerants		R404A, R448A, R449A

Electrical Characteristics

Nominal voltage	Supply voltage 380-480V/3/50-60Hz
Voltage range	342-528 V supply to frequency converter
Winding resistance (between phases) +/- 7% at 25°C	0.71 Ω
Rated Load Amps (RLA)	7 A
Motor protection	Motor protection by frequency converter

Recommended Installation torques

Oil sight glass	52.5 Nm
Power connections / Earth connection	0 Nm / 2 Nm
Mounting bolts	11 Nm

Parts shipped with compressor

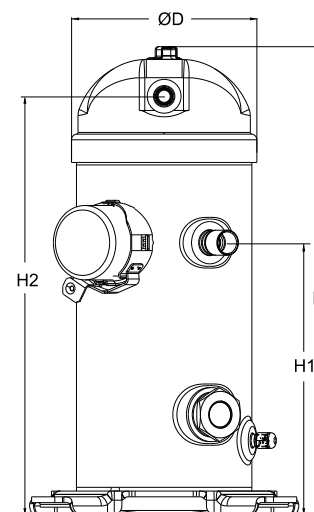
Mounting kit with grommets, bolts, nuts, sleeves and washers
Initial oil charge
Installation instructions

Approvals : CE certified, UL certified (file SA6873), -

*Singlepack: Compressor in cardboard box

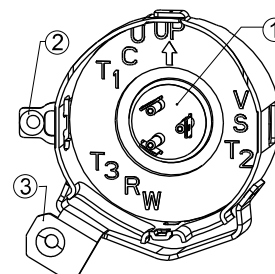
**Industrial pack: 12 Unboxed compressors on pallet (order per multiples of 12)

Dimensions



D=164.5 mm
H=415.4 mm
H1=241.5 mm
H2=371.4 mm
H3=- mm

Terminal box



IP22

- 1: Power connections
- 2: Earth connection
- 3: EMC bracket with shielded cable

Rotolock accessories, suction side	Code no.
Rotolock adapter (1-1/4" Rotolock, 3/4" ODF)	120Z0366

Rotolock accessories, discharge side	Code no.
Rotolock adapter (1" Rotolock, 1/2" ODF)	120Z0365

Rotolock accessories, sets	Code no.
Solder sleeve adapter set (1-1/4" Rotolock, 3/4" ODF), (1" Rotolock, 1/2" ODF)	120Z0126

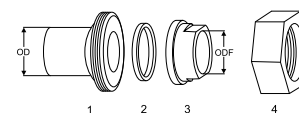
Oil / lubricants	Code no.
POE lubricant, 215PZ(PL46HB), 1 litre can	120Z0648

Crankcase heaters	Code no.
Belt type crankcase heater, 70 W, 240 V, CE mark, UL	120Z5040
Belt type crankcase heater, 70 W, 400/460V, CE mark, UL	120Z5041

Miscellaneous accessories	Code no.
Acoustic hood	120Z5083

Spare parts	Code no.
Mounting kit for 1 scroll compressor including 4 grommets, 4 sleeves, 4 bolts, 4 washers, 2 grounding screws	120Z0622
Terminal box cover	120Z5015

Solder sleeve adapter set



- 1: Rotolock adapter (Suc & Dis)
- 2: Gasket (Suc & Dis)
- 3: Solder sleeve (Suc & Dis)
- 4: Rotolock nut (Suc & Dis)

Danfoss can accept no responsibility for possible errors in catalogues, brochures and other printed material. Danfoss reserves the right to alter its products without notice. This also applies to products already on order provided that such alternations can be made without subsequential changes being necessary in specifications already agreed. All trademarks in this material are property of the respective companies. Danfoss and the Danfoss logotype are trademarks of Danfoss A/S. All rights reserved.

Performance data at 30 Hz, EN 12900 rating conditions

R448A

Cond. temp. in °C (tc)	Evaporating temperature in °C (to)							
	-25	-20	-15	-10	-5	0	5	10

Cooling capacity in W

5	-	-	-	-	-	-	-	-	-
15	1 044	1 342	1 699	2 124	2 625	-	-	-	-
20	985	1 273	1 619	2 030	2 513	3 077	-	-	-
30	-	1 128	1 448	1 827	2 273	2 793	3 397	4 090	-
40	-	-	1 262	1 605	2 010	2 484	3 034	3 669	-
50	-	-	-	-	-	-	-	-	-
55	-	-	-	-	-	-	-	-	-
60	-	-	-	-	-	-	-	-	-

Power input in W

5	-	-	-	-	-	-	-	-	-
15	483	494	499	495	480	-	-	-	-
20	523	536	546	548	540	519	-	-	-
30	-	640	652	661	664	659	641	610	-
40	-	-	793	803	810	813	808	792	-
50	-	-	-	-	-	-	-	-	-
55	-	-	-	-	-	-	-	-	-
60	-	-	-	-	-	-	-	-	-

Current consumption in A

5	-	-	-	-	-	-	-	-	-
15	1.14	1.09	1.07	1.05	1.03	-	-	-	-
20	1.21	1.16	1.14	1.14	1.13	1.11	-	-	-
30	-	1.32	1.31	1.31	1.33	1.33	1.30	1.23	-
40	-	-	1.51	1.52	1.54	1.56	1.55	1.51	-
50	-	-	-	-	-	-	-	-	-
55	-	-	-	-	-	-	-	-	-
60	-	-	-	-	-	-	-	-	-

Mass flow in kg/h

5	-	-	-	-	-	-	-	-	-
15	21	26	33	40	49	-	-	-	-
20	20	26	32	40	48	58	-	-	-
30	-	25	31	39	48	58	69	82	-
40	-	-	30	38	47	57	68	81	-
50	-	-	-	-	-	-	-	-	-
55	-	-	-	-	-	-	-	-	-
60	-	-	-	-	-	-	-	-	-

Coefficient of performance (C.O.P.)

5	-	-	-	-	-	-	-	-	-
15	2.16	2.72	3.40	4.29	5.47	-	-	-	-
20	1.88	2.37	2.97	3.71	4.66	5.92	-	-	-
30	-	1.76	2.22	2.76	3.42	4.24	5.30	6.70	-
40	-	-	1.59	2.00	2.48	3.06	3.76	4.63	-
50	-	-	-	-	-	-	-	-	-
55	-	-	-	-	-	-	-	-	-
60	-	-	-	-	-	-	-	-	-

Nominal performance at to = -10 °C, tc = 45 °C

Cooling capacity	-	W
Power input	-	W
Current consumption	-	A
Mass flow	-	kg/h
C.O.P.	-	

Pressure switch settings

Maximum HP switch setting	27.4	bar(g)
Minimum LP switch setting	0.8	bar(g)
LP pump down setting	1.1	bar(g)

Sound power data

Sound power level		dB(A)
With acoustic hood		dB(A)

to: Evaporating temperature at dew point

tc: Condensing temperature at dew point

Rating conditions : Superheat = 10 K , Subcooling = 0 K

Tolerance according EN12900

Danfoss can accept no responsibility for possible errors in catalogues, brochures and other printed material. Danfoss reserves the right to alter its products without notice. This also applies to products already on order provided that such alternations can be made without subsequential changes being necessary in specifications already agreed. All trademarks in this material are property of the respective companies. Danfoss and the Danfoss logotype are trademarks of Danfoss A/S. All rights reserved.

Performance data at 30 Hz, EN 12900 rating conditions, Suction temp. = 20 °C

R448A

Cond. temp. in °C (tc)	Evaporating temperature in °C (to)								
	-25	-20	-15	-10	-5	0	5	10	20

Cooling capacity in W

5	-	-	-	-	-	-	-	-	-
15	1 045	1 340	1 695	2 117	2 615	-	-	-	-
20	991	1 279	1 622	2 030	2 510	3 071	-	-	-
30	-	1 146	1 465	1 842	2 284	2 800	3 398	4 090	-
40	-	-	1 294	1 636	2 036	2 503	3 044	3 669	-
50	-	-	-	-	-	-	-	-	-
55	-	-	-	-	-	-	-	-	-
60	-	-	-	-	-	-	-	-	-

Power input in W

5	-	-	-	-	-	-	-	-	-
15	483	494	499	495	480	-	-	-	-
20	523	536	546	548	540	519	-	-	-
30	-	640	652	661	664	659	641	610	-
40	-	-	793	803	810	813	808	792	-
50	-	-	-	-	-	-	-	-	-
55	-	-	-	-	-	-	-	-	-
60	-	-	-	-	-	-	-	-	-

Current consumption in A

5	-	-	-	-	-	-	-	-	-
15	1.14	1.09	1.07	1.05	1.03	-	-	-	-
20	1.21	1.16	1.14	1.14	1.13	1.11	-	-	-
30	-	1.32	1.31	1.31	1.33	1.33	1.30	1.23	-
40	-	-	1.51	1.52	1.54	1.56	1.55	1.51	-
50	-	-	-	-	-	-	-	-	-
55	-	-	-	-	-	-	-	-	-
60	-	-	-	-	-	-	-	-	-

Mass flow in kg/h

5	-	-	-	-	-	-	-	-	-
15	18	23	29	36	45	-	-	-	-
20	17	23	29	36	45	56	-	-	-
30	-	22	28	36	44	55	68	82	-
40	-	-	27	35	43	54	66	81	-
50	-	-	-	-	-	-	-	-	-
55	-	-	-	-	-	-	-	-	-
60	-	-	-	-	-	-	-	-	-

Coefficient of performance (C.O.P.)

5	-	-	-	-	-	-	-	-	-
15	2.17	2.71	3.40	4.27	5.45	-	-	-	-
20	1.90	2.38	2.97	3.71	4.65	5.91	-	-	-
30	-	1.79	2.25	2.79	3.44	4.25	5.30	6.70	-
40	-	-	1.63	2.04	2.51	3.08	3.77	4.63	-
50	-	-	-	-	-	-	-	-	-
55	-	-	-	-	-	-	-	-	-
60	-	-	-	-	-	-	-	-	-

Nominal performance at to = -10 °C, tc = 45 °C

Cooling capacity	-	W
Power input	-	W
Current consumption	-	A
Mass flow	-	kg/h
C.O.P.	-	

Pressure switch settings

Maximum HP switch setting	27.4	bar(g)
Minimum LP switch setting	0.8	bar(g)
LP pump down setting	1.1	bar(g)

Sound power data

Sound power level		dB(A)
With accoustic hood		dB(A)

to: Evaporating temperature at dew point

tc: Condensing temperature at dew point

Rating conditions : Suction gas temp. = 20 °C , Subcooling = 0 K

Tolerance according EN12900

Danfoss can accept no responsibility for possible errors in catalogues, brochures and other printed material. Danfoss reserves the right to alter its products without notice. This also applies to products already on order provided that such alternations can be made without subsequential changes being necessary in specifications already agreed. All trademarks in this material are property of the respective companies. Danfoss and the Danfoss logotype are trademarks of Danfoss A/S. All rights reserved.

Performance data at 35 Hz, EN 12900 rating conditions

R448A

Cond. temp. in °C (tc)	Evaporating temperature in °C (to)							
	-25	-20	-15	-10	-5	0	5	10

Cooling capacity in W

5	-	-	-	-	-	-	-	-	-
15	1 238	1 588	2 008	2 505	3 089	-	-	-	-
20	1 170	1 510	1 916	2 397	2 962	3 618	-	-	-
30	-	1 342	1 718	2 163	2 685	3 292	3 992	4 795	-
40	-	-	1 502	1 905	2 378	2 931	3 571	4 307	-
50	-	-	-	-	-	-	-	-	-
55	-	-	-	-	-	-	-	-	-
60	-	-	-	-	-	-	-	-	-

Power input in W

5	-	-	-	-	-	-	-	-	-
15	551	561	562	551	525	-	-	-	-
20	598	612	618	616	600	569	-	-	-
30	-	733	745	753	753	742	716	674	-
40	-	-	909	919	927	928	919	899	-
50	-	-	-	-	-	-	-	-	-
55	-	-	-	-	-	-	-	-	-
60	-	-	-	-	-	-	-	-	-

Current consumption in A

5	-	-	-	-	-	-	-	-	-
15	1.23	1.21	1.19	1.15	1.08	-	-	-	-
20	1.30	1.29	1.28	1.26	1.23	1.15	-	-	-
30	-	1.46	1.46	1.47	1.47	1.45	1.40	1.31	-
40	-	-	1.70	1.70	1.71	1.71	1.70	1.67	-
50	-	-	-	-	-	-	-	-	-
55	-	-	-	-	-	-	-	-	-
60	-	-	-	-	-	-	-	-	-

Mass flow in kg/h

5	-	-	-	-	-	-	-	-	-
15	24	31	38	47	57	-	-	-	-
20	24	31	38	47	57	69	-	-	-
30	-	30	37	46	56	68	81	97	-
40	-	-	36	45	55	67	80	95	-
50	-	-	-	-	-	-	-	-	-
55	-	-	-	-	-	-	-	-	-
60	-	-	-	-	-	-	-	-	-

Coefficient of performance (C.O.P.)

5	-	-	-	-	-	-	-	-	-
15	2.25	2.83	3.57	4.55	5.88	-	-	-	-
20	1.95	2.47	3.10	3.89	4.94	6.36	-	-	-
30	-	1.83	2.31	2.87	3.57	4.44	5.57	7.12	-
40	-	-	1.65	2.07	2.57	3.16	3.88	4.79	-
50	-	-	-	-	-	-	-	-	-
55	-	-	-	-	-	-	-	-	-
60	-	-	-	-	-	-	-	-	-

Nominal performance at to = -10 °C, tc = 45 °C

Cooling capacity	-	W
Power input	-	W
Current consumption	-	A
Mass flow	-	kg/h
C.O.P.	-	

Pressure switch settings

Maximum HP switch setting	27.4	bar(g)
Minimum LP switch setting	0.8	bar(g)
LP pump down setting	1.1	bar(g)

Sound power data

Sound power level	dB(A)
With acoustic hood	dB(A)

to: Evaporating temperature at dew point

tc: Condensing temperature at dew point

Rating conditions : Superheat = 10 K , Subcooling = 0 K

Tolerance according EN12900

Danfoss can accept no responsibility for possible errors in catalogues, brochures and other printed material. Danfoss reserves the right to alter its products without notice. This also applies to products already on order provided that such alternations can be made without subsequential changes being necessary in specifications already agreed. All trademarks in this material are property of the respective companies. Danfoss and the Danfoss logotype are trademarks of Danfoss A/S. All rights reserved.

Performance data at 35 Hz, EN 12900 rating conditions, Suction temp. = 20 °C

R448A

Cond. temp. in °C (tc)	Evaporating temperature in °C (to)							
	-25	-20	-15	-10	-5	0	5	10

Cooling capacity in W

5	-	-	-	-	-	-	-	-	-
15	1 239	1 587	2 003	2 497	3 077	-	-	-	-
20	1 177	1 516	1 920	2 398	2 958	3 611	-	-	-
30	-	1 364	1 739	2 181	2 698	3 299	3 995	4 795	-
40	-	-	1 539	1 941	2 409	2 953	3 583	4 307	-
50	-	-	-	-	-	-	-	-	-
55	-	-	-	-	-	-	-	-	-
60	-	-	-	-	-	-	-	-	-

Power input in W

5	-	-	-	-	-	-	-	-	-
15	551	561	562	551	525	-	-	-	-
20	598	612	618	616	600	569	-	-	-
30	-	733	745	753	753	742	716	674	-
40	-	-	909	919	927	928	919	899	-
50	-	-	-	-	-	-	-	-	-
55	-	-	-	-	-	-	-	-	-
60	-	-	-	-	-	-	-	-	-

Current consumption in A

5	-	-	-	-	-	-	-	-	-
15	1.23	1.21	1.19	1.15	1.08	-	-	-	-
20	1.30	1.29	1.28	1.26	1.23	1.15	-	-	-
30	-	1.46	1.46	1.47	1.47	1.45	1.40	1.31	-
40	-	-	1.70	1.70	1.71	1.71	1.70	1.67	-
50	-	-	-	-	-	-	-	-	-
55	-	-	-	-	-	-	-	-	-
60	-	-	-	-	-	-	-	-	-

Mass flow in kg/h

5	-	-	-	-	-	-	-	-	-
15	21	27	34	43	53	-	-	-	-
20	21	27	34	43	53	65	-	-	-
30	-	26	33	42	52	65	79	97	-
40	-	-	32	41	51	64	78	95	-
50	-	-	-	-	-	-	-	-	-
55	-	-	-	-	-	-	-	-	-
60	-	-	-	-	-	-	-	-	-

Coefficient of performance (C.O.P.)

5	-	-	-	-	-	-	-	-	-
15	2.25	2.83	3.57	4.53	5.86	-	-	-	-
20	1.97	2.48	3.11	3.90	4.93	6.35	-	-	-
30	-	1.86	2.33	2.90	3.58	4.45	5.58	7.12	-
40	-	-	1.69	2.11	2.60	3.18	3.90	4.79	-
50	-	-	-	-	-	-	-	-	-
55	-	-	-	-	-	-	-	-	-
60	-	-	-	-	-	-	-	-	-

Nominal performance at to = -10 °C, tc = 45 °C

Cooling capacity	-	W
Power input	-	W
Current consumption	-	A
Mass flow	-	kg/h
C.O.P.	-	

Pressure switch settings

Maximum HP switch setting	27.4	bar(g)
Minimum LP switch setting	0.8	bar(g)
LP pump down setting	1.1	bar(g)

Sound power data

Sound power level		dB(A)
With acoustic hood		dB(A)

to: Evaporating temperature at dew point

tc: Condensing temperature at dew point

Rating conditions : Suction gas temp. = 20 °C , Subcooling = 0 K

Tolerance according EN12900

Danfoss can accept no responsibility for possible errors in catalogues, brochures and other printed material. Danfoss reserves the right to alter its products without notice. This also applies to products already on order provided that such alternations can be made without subsequential changes being necessary in specifications already agreed. All trademarks in this material are property of the respective companies. Danfoss and the Danfoss logotype are trademarks of Danfoss A/S. All rights reserved.

Performance data at 40 Hz, EN 12900 rating conditions

R448A

Cond. temp. in °C (tc)	Evaporating temperature in °C (to)							
	-25	-20	-15	-10	-5	0	5	10

Cooling capacity in W

5	-	-	-	-	-	-	-	-	-
15	1 430	1 832	2 313	2 882	3 550	-	-	-	-
20	1 353	1 744	2 210	2 761	3 406	4 155	-	-	-
30	-	1 553	1 985	2 495	3 091	3 785	4 584	5 499	-
40	-	-	1 738	2 200	2 742	3 373	4 103	4 941	-
50	-	-	-	-	-	-	-	-	-
55	-	-	-	-	-	-	-	-	-
60	-	-	-	-	-	-	-	-	-

Power input in W

5	-	-	-	-	-	-	-	-	-
15	623	632	630	613	578	-	-	-	-
20	678	691	696	690	668	627	-	-	-
30	-	830	843	850	847	831	799	746	-
40	-	-	1 028	1 040	1 048	1 048	1 037	1 012	-
50	-	-	-	-	-	-	-	-	-
55	-	-	-	-	-	-	-	-	-
60	-	-	-	-	-	-	-	-	-

Current consumption in A

5	-	-	-	-	-	-	-	-	-
15	1.33	1.34	1.32	1.26	1.15	-	-	-	-
20	1.40	1.42	1.42	1.39	1.33	1.22	-	-	-
30	-	1.61	1.62	1.62	1.61	1.58	1.51	1.40	-
40	-	-	1.88	1.88	1.88	1.88	1.86	1.83	-
50	-	-	-	-	-	-	-	-	-
55	-	-	-	-	-	-	-	-	-
60	-	-	-	-	-	-	-	-	-

Mass flow in kg/h

5	-	-	-	-	-	-	-	-	-
15	28	36	44	54	66	-	-	-	-
20	28	35	44	54	66	79	-	-	-
30	-	34	43	53	65	78	94	111	-
40	-	-	42	52	64	77	92	110	-
50	-	-	-	-	-	-	-	-	-
55	-	-	-	-	-	-	-	-	-
60	-	-	-	-	-	-	-	-	-

Coefficient of performance (C.O.P.)

5	-	-	-	-	-	-	-	-	-
15	2.29	2.90	3.67	4.70	6.14	-	-	-	-
20	2.00	2.52	3.17	4.00	5.10	6.63	-	-	-
30	-	1.87	2.35	2.93	3.65	4.55	5.74	7.37	-
40	-	-	1.69	2.12	2.62	3.22	3.96	4.88	-
50	-	-	-	-	-	-	-	-	-
55	-	-	-	-	-	-	-	-	-
60	-	-	-	-	-	-	-	-	-

Nominal performance at to = -10 °C, tc = 45 °C

Cooling capacity	-	W
Power input	-	W
Current consumption	-	A
Mass flow	-	kg/h
C.O.P.	-	

Pressure switch settings

Maximum HP switch setting	27.4	bar(g)
Minimum LP switch setting	0.8	bar(g)
LP pump down setting	1.1	bar(g)

Sound power data

Sound power level		dB(A)
With accoustic hood		dB(A)

to: Evaporating temperature at dew point

tc: Condensing temperature at dew point

Rating conditions : Superheat = 10 K , Subcooling = 0 K

Tolerance according EN12900

Danfoss can accept no responsibility for possible errors in catalogues, brochures and other printed material. Danfoss reserves the right to alter its products without notice. This also applies to products already on order provided that such alternations can be made without subsequential changes being necessary in specifications already agreed. All trademarks in this material are property of the respective companies. Danfoss and the Danfoss logotype are trademarks of Danfoss A/S. All rights reserved.

Performance data at 40 Hz, EN 12900 rating conditions, Suction temp. = 20 °C

R448A

Cond. temp. in °C (tc)	Evaporating temperature in °C (to)								
	-25	-20	-15	-10	-5	0	5	10	20

Cooling capacity in W

5	-	-	-	-	-	-	-	-	-
15	1 431	1 830	2 307	2 873	3 536	-	-	-	-
20	1 362	1 751	2 214	2 761	3 402	4 148	-	-	-
30	-	1 579	2 009	2 516	3 107	3 794	4 586	5 499	-
40	-	-	1 782	2 242	2 778	3 399	4 117	4 941	-
50	-	-	-	-	-	-	-	-	-
55	-	-	-	-	-	-	-	-	-
60	-	-	-	-	-	-	-	-	-

Power input in W

5	-	-	-	-	-	-	-	-	-
15	623	632	630	613	578	-	-	-	-
20	678	691	696	690	668	627	-	-	-
30	-	830	843	850	847	831	799	746	-
40	-	-	1 028	1 040	1 048	1 048	1 037	1 012	-
50	-	-	-	-	-	-	-	-	-
55	-	-	-	-	-	-	-	-	-
60	-	-	-	-	-	-	-	-	-

Current consumption in A

5	-	-	-	-	-	-	-	-	-
15	1.33	1.34	1.32	1.26	1.15	-	-	-	-
20	1.40	1.42	1.42	1.39	1.33	1.22	-	-	-
30	-	1.61	1.62	1.62	1.61	1.58	1.51	1.40	-
40	-	-	1.88	1.88	1.88	1.88	1.86	1.83	-
50	-	-	-	-	-	-	-	-	-
55	-	-	-	-	-	-	-	-	-
60	-	-	-	-	-	-	-	-	-

Mass flow in kg/h

5	-	-	-	-	-	-	-	-	-
15	24	31	40	49	61	-	-	-	-
20	24	31	39	49	61	75	-	-	-
30	-	30	39	49	60	74	91	111	-
40	-	-	37	47	59	73	90	110	-
50	-	-	-	-	-	-	-	-	-
55	-	-	-	-	-	-	-	-	-
60	-	-	-	-	-	-	-	-	-

Coefficient of performance (C.O.P.)

5	-	-	-	-	-	-	-	-	-
15	2.30	2.90	3.66	4.69	6.12	-	-	-	-
20	2.01	2.53	3.18	4.00	5.10	6.62	-	-	-
30	-	1.90	2.38	2.96	3.67	4.56	5.74	7.37	-
40	-	-	1.73	2.16	2.65	3.24	3.97	4.88	-
50	-	-	-	-	-	-	-	-	-
55	-	-	-	-	-	-	-	-	-
60	-	-	-	-	-	-	-	-	-

Nominal performance at to = -10 °C, tc = 45 °C

Cooling capacity	-	W
Power input	-	W
Current consumption	-	A
Mass flow	-	kg/h
C.O.P.	-	

Pressure switch settings

Maximum HP switch setting	27.4	bar(g)
Minimum LP switch setting	0.8	bar(g)
LP pump down setting	1.1	bar(g)

Sound power data

Sound power level		dB(A)
With accoustic hood		dB(A)

to: Evaporating temperature at dew point

tc: Condensing temperature at dew point

Rating conditions : Suction gas temp. = 20 °C , Subcooling = 0 K

Tolerance according EN12900

Danfoss can accept no responsibility for possible errors in catalogues, brochures and other printed material. Danfoss reserves the right to alter its products without notice. This also applies to products already on order provided that such alternations can be made without subsequential changes being necessary in specifications already agreed. All trademarks in this material are property of the respective companies. Danfoss and the Danfoss logotype are trademarks of Danfoss A/S. All rights reserved.

Performance data at 45 Hz, EN 12900 rating conditions

R448A

Cond. temp. in °C (tc)	Evaporating temperature in °C (to)							
	-25	-20	-15	-10	-5	0	5	10

Cooling capacity in W

5	-	-	-	-	-	-	-	-	-
15	1 620	2 073	2 614	3 256	4 008	-	-	-	-
20	1 534	1 974	2 499	3 119	3 846	4 689	-	-	-
30	-	1 762	2 248	2 822	3 493	4 273	5 171	6 199	-
40	-	-	1 972	2 492	3 102	3 811	4 631	5 572	-
50	-	-	-	-	-	-	-	-	-
55	-	-	-	-	-	-	-	-	-
60	-	-	-	-	-	-	-	-	-

Power input in W

5	-	-	-	-	-	-	-	-	-
15	699	708	703	682	639	-	-	-	-
20	761	775	779	770	742	693	-	-	-
30	-	930	945	952	948	928	889	827	-
40	-	-	1 151	1 165	1 174	1 174	1 161	1 131	-
50	-	-	-	-	-	-	-	-	-
55	-	-	-	-	-	-	-	-	-
60	-	-	-	-	-	-	-	-	-

Current consumption in A

5	-	-	-	-	-	-	-	-	-
15	1.43	1.46	1.44	1.36	1.23	-	-	-	-
20	1.50	1.55	1.56	1.52	1.43	1.29	-	-	-
30	-	1.75	1.77	1.78	1.76	1.71	1.63	1.51	-
40	-	-	2.06	2.06	2.05	2.04	2.02	1.99	-
50	-	-	-	-	-	-	-	-	-
55	-	-	-	-	-	-	-	-	-
60	-	-	-	-	-	-	-	-	-

Mass flow in kg/h

5	-	-	-	-	-	-	-	-	-
15	32	40	50	61	74	-	-	-	-
20	32	40	50	61	74	89	-	-	-
30	-	39	49	60	73	88	106	125	-
40	-	-	48	59	72	87	104	123	-
50	-	-	-	-	-	-	-	-	-
55	-	-	-	-	-	-	-	-	-
60	-	-	-	-	-	-	-	-	-

Coefficient of performance (C.O.P.)

5	-	-	-	-	-	-	-	-	-
15	2.32	2.93	3.72	4.78	6.27	-	-	-	-
20	2.02	2.55	3.21	4.05	5.18	6.77	-	-	-
30	-	1.89	2.38	2.96	3.69	4.60	5.82	7.49	-
40	-	-	1.71	2.14	2.64	3.25	3.99	4.93	-
50	-	-	-	-	-	-	-	-	-
55	-	-	-	-	-	-	-	-	-
60	-	-	-	-	-	-	-	-	-

Nominal performance at to = -10 °C, tc = 45 °C

Cooling capacity	-	W
Power input	-	W
Current consumption	-	A
Mass flow	-	kg/h
C.O.P.	-	

Pressure switch settings

Maximum HP switch setting	27.4	bar(g)
Minimum LP switch setting	0.8	bar(g)
LP pump down setting	1.1	bar(g)

Sound power data

Sound power level		dB(A)
With acoustic hood		dB(A)

to: Evaporating temperature at dew point

tc: Condensing temperature at dew point

Rating conditions : Superheat = 10 K , Subcooling = 0 K

Tolerance according EN12900

Danfoss can accept no responsibility for possible errors in catalogues, brochures and other printed material. Danfoss reserves the right to alter its products without notice. This also applies to products already on order provided that such alternations can be made without subsequential changes being necessary in specifications already agreed. All trademarks in this material are property of the respective companies. Danfoss and the Danfoss logotype are trademarks of Danfoss A/S. All rights reserved.

Performance data at 45 Hz, EN 12900 rating conditions, Suction temp. = 20 °C

R448A

Cond. temp. in °C (tc)	Evaporating temperature in °C (to)								
	-25	-20	-15	-10	-5	0	5	10	20

Cooling capacity in W

5	-	-	-	-	-	-	-	-	-
15	1 621	2 071	2 608	3 245	3 992	-	-	-	-
20	1 544	1 983	2 504	3 120	3 842	4 681	-	-	-
30	-	1 791	2 276	2 845	3 511	4 283	5 174	6 199	-
40	-	-	2 021	2 539	3 142	3 840	4 646	5 572	-
50	-	-	-	-	-	-	-	-	-
55	-	-	-	-	-	-	-	-	-
60	-	-	-	-	-	-	-	-	-

Power input in W

5	-	-	-	-	-	-	-	-	-
15	699	708	703	682	639	-	-	-	-
20	761	775	779	770	742	693	-	-	-
30	-	930	945	952	948	928	889	827	-
40	-	-	1 151	1 165	1 174	1 174	1 161	1 131	-
50	-	-	-	-	-	-	-	-	-
55	-	-	-	-	-	-	-	-	-
60	-	-	-	-	-	-	-	-	-

Current consumption in A

5	-	-	-	-	-	-	-	-	-
15	1.43	1.46	1.44	1.36	1.23	-	-	-	-
20	1.50	1.55	1.56	1.52	1.43	1.29	-	-	-
30	-	1.75	1.77	1.78	1.76	1.71	1.63	1.51	-
40	-	-	2.06	2.06	2.05	2.04	2.02	1.99	-
50	-	-	-	-	-	-	-	-	-
55	-	-	-	-	-	-	-	-	-
60	-	-	-	-	-	-	-	-	-

Mass flow in kg/h

5	-	-	-	-	-	-	-	-	-
15	27	35	45	56	69	-	-	-	-
20	27	35	44	56	69	85	-	-	-
30	-	34	44	55	68	84	103	125	-
40	-	-	42	54	67	83	101	123	-
50	-	-	-	-	-	-	-	-	-
55	-	-	-	-	-	-	-	-	-
60	-	-	-	-	-	-	-	-	-

Coefficient of performance (C.O.P.)

5	-	-	-	-	-	-	-	-	-
15	2.32	2.92	3.71	4.76	6.25	-	-	-	-
20	2.03	2.56	3.21	4.05	5.18	6.75	-	-	-
30	-	1.92	2.41	2.99	3.70	4.61	5.82	7.49	-
40	-	-	1.76	2.18	2.68	3.27	4.00	4.93	-
50	-	-	-	-	-	-	-	-	-
55	-	-	-	-	-	-	-	-	-
60	-	-	-	-	-	-	-	-	-

Nominal performance at to = -10 °C, tc = 45 °C

Cooling capacity	-	W
Power input	-	W
Current consumption	-	A
Mass flow	-	kg/h
C.O.P.	-	

Pressure switch settings

Maximum HP switch setting	27.4	bar(g)
Minimum LP switch setting	0.8	bar(g)
LP pump down setting	1.1	bar(g)

Sound power data

Sound power level		dB(A)
With accoustic hood		dB(A)

to: Evaporating temperature at dew point

tc: Condensing temperature at dew point

Rating conditions : Suction gas temp. = 20 °C , Subcooling = 0 K

Tolerance according EN12900

Danfoss can accept no responsibility for possible errors in catalogues, brochures and other printed material. Danfoss reserves the right to alter its products without notice. This also applies to products already on order provided that such alternations can be made without subsequential changes being necessary in specifications already agreed. All trademarks in this material are property of the respective companies. Danfoss and the Danfoss logotype are trademarks of Danfoss A/S. All rights reserved.

Performance data at 50 Hz, EN 12900 rating conditions

R448A

Cond. temp. in °C (tc)	Evaporating temperature in °C (to)							
	-30	-20	-15	-10	-5	0	5	10

Cooling capacity in W

5	-	-	-	-	-	-	-	-	-
15	-	2 311	2 913	3 626	4 462	-	-	-	-
20	-	2 202	2 785	3 474	4 282	5 220	-	-	-
30	-	1 968	2 508	3 144	3 889	4 755	5 754	6 898	-
40	-	1 713	2 203	2 780	3 456	4 244	5 154	6 200	-
50	-	-	-	2 383	2 984	3 686	4 502	5 443	-
60	-	-	-	-	2 472	3 083	3 797	4 627	-
65	-	-	-	-	-	-	-	-	-

Power input in W

5	-	-	-	-	-	-	-	-	-
15	-	788	782	757	707	-	-	-	-
20	-	863	868	856	824	767	-	-	-
30	-	1 035	1 052	1 060	1 054	1 031	987	917	-
40	-	1 258	1 277	1 294	1 305	1 305	1 291	1 257	-
50	-	-	-	1 588	1 604	1 617	1 621	1 614	-
60	-	-	-	-	1 980	1 994	2 008	2 016	-
65	-	-	-	-	-	-	-	-	-

Current consumption in A

5	-	-	-	-	-	-	-	-	-
15	-	1.59	1.57	1.48	1.32	-	-	-	-
20	-	1.68	1.69	1.65	1.55	1.38	-	-	-
30	-	1.90	1.93	1.94	1.91	1.85	1.76	1.62	-
40	-	2.25	2.24	2.24	2.23	2.22	2.19	2.16	-
50	-	-	-	2.68	2.62	2.59	2.58	2.60	-
60	-	-	-	-	3.21	3.10	3.04	3.04	-
65	-	-	-	-	-	-	-	-	-

Mass flow in kg/h

5	-	-	-	-	-	-	-	-	-
15	-	45	56	68	83	-	-	-	-
20	-	45	55	68	83	99	-	-	-
30	-	44	55	67	82	98	117	139	-
40	-	42	53	66	80	97	116	137	-
50	-	-	-	64	78	95	114	135	-
60	-	-	-	-	75	92	110	132	-
65	-	-	-	-	-	-	-	-	-

Coefficient of performance (C.O.P.)

5	-	-	-	-	-	-	-	-	-
15	-	2.93	3.72	4.79	6.31	-	-	-	-
20	-	2.55	3.21	4.06	5.20	6.80	-	-	-
30	-	1.90	2.38	2.97	3.69	4.61	5.83	7.52	-
40	-	1.36	1.72	2.15	2.65	3.25	3.99	4.93	-
50	-	-	-	1.50	1.86	2.28	2.78	3.37	-
60	-	-	-	-	1.25	1.55	1.89	2.30	-
65	-	-	-	-	-	-	-	-	-

Nominal performance at to = -10 °C, tc = 45 °C

Cooling capacity	2 586	W
Power input	1 432	W
Current consumption	2.43	A
Mass flow	65	kg/h
C.O.P.	1.81	

Pressure switch settings

Maximum HP switch setting	27.4	bar(g)
Minimum LP switch setting	0.8	bar(g)
LP pump down setting	1.1	bar(g)

Sound power data

Sound power level		dB(A)
With acoustic hood		dB(A)

to: Evaporating temperature at dew point

tc: Condensing temperature at dew point

Rating conditions : Superheat = 10 K , Subcooling = 0 K

Tolerance according EN12900

Danfoss can accept no responsibility for possible errors in catalogues, brochures and other printed material. Danfoss reserves the right to alter its products without notice. This also applies to products already on order provided that such alternations can be made without subsequential changes being necessary in specifications already agreed. All trademarks in this material are property of the respective companies. Danfoss and the Danfoss logotype are trademarks of Danfoss A/S. All rights reserved.

Performance data at 50 Hz, EN 12900 rating conditions, Suction temp. = 20 °C

R448A

Cond. temp. in °C (tc)	Evaporating temperature in °C (to)							
	-30	-20	-15	-10	-5	0	5	10

Cooling capacity in W

5	-	-	-	-	-	-	-	-	-
15	-	2 309	2 906	3 614	4 446	-	-	-	-
20	-	2 211	2 791	3 475	4 277	5 210	-	-	-
30	-	2 000	2 538	3 171	3 909	4 767	5 757	6 898	-
40	-	-	2 258	2 832	3 501	4 276	5 171	6 200	-
50	-	-	-	2 461	3 054	3 740	4 533	5 443	-
60	-	-	-	-	-	3 159	3 843	4 627	-
65	-	-	-	-	-	-	-	-	-

Power input in W

5	-	-	-	-	-	-	-	-	-
15	-	788	782	757	707	-	-	-	-
20	-	863	868	856	824	767	-	-	-
30	-	1 035	1 052	1 060	1 054	1 031	987	917	-
40	-	-	1 277	1 294	1 305	1 305	1 291	1 257	-
50	-	-	-	1 588	1 604	1 617	1 621	1 614	-
60	-	-	-	-	-	1 994	2 008	2 016	-
65	-	-	-	-	-	-	-	-	-

Current consumption in A

5	-	-	-	-	-	-	-	-	-
15	-	1.59	1.57	1.48	1.32	-	-	-	-
20	-	1.68	1.69	1.65	1.55	1.38	-	-	-
30	-	1.90	1.93	1.94	1.91	1.85	1.76	1.62	-
40	-	-	2.24	2.24	2.23	2.22	2.19	2.16	-
50	-	-	-	2.68	2.62	2.59	2.58	2.60	-
60	-	-	-	-	-	3.10	3.04	3.04	-
65	-	-	-	-	-	-	-	-	-

Mass flow in kg/h

5	-	-	-	-	-	-	-	-	-
15	-	39	50	62	77	-	-	-	-
20	-	39	50	62	77	94	-	-	-
30	-	38	49	61	76	94	114	139	-
40	-	-	47	60	75	92	113	137	-
50	-	-	-	58	73	90	111	135	-
60	-	-	-	-	-	87	107	132	-
65	-	-	-	-	-	-	-	-	-

Coefficient of performance (C.O.P.)

5	-	-	-	-	-	-	-	-	-
15	-	2.93	3.71	4.78	6.28	-	-	-	-
20	-	2.56	3.22	4.06	5.19	6.79	-	-	-
30	-	1.93	2.41	2.99	3.71	4.62	5.83	7.52	-
40	-	-	1.77	2.19	2.68	3.28	4.01	4.93	-
50	-	-	-	1.55	1.90	2.31	2.80	3.37	-
60	-	-	-	-	-	1.58	1.91	2.30	-
65	-	-	-	-	-	-	-	-	-

Nominal performance at to = -10 °C, tc = 45 °C

Cooling capacity	2 651	W
Power input	1 432	W
Current consumption	2.43	A
Mass flow	59	kg/h
C.O.P.	1.85	

Pressure switch settings

Maximum HP switch setting	27.4	bar(g)
Minimum LP switch setting	0.8	bar(g)
LP pump down setting	1.1	bar(g)

Sound power data

Sound power level		dB(A)
With acoustic hood		dB(A)

to: Evaporating temperature at dew point

tc: Condensing temperature at dew point

Rating conditions : Suction gas temp. = 20 °C , Subcooling = 0 K

Tolerance according EN12900

Danfoss can accept no responsibility for possible errors in catalogues, brochures and other printed material. Danfoss reserves the right to alter its products without notice. This also applies to products already on order provided that such alternations can be made without subsequential changes being necessary in specifications already agreed. All trademarks in this material are property of the respective companies. Danfoss and the Danfoss logotype are trademarks of Danfoss A/S. All rights reserved.

Performance data at 55 Hz, EN 12900 rating conditions

R448A

Cond. temp. in °C (tc)	Evaporating temperature in °C (to)							
	-30	-20	-15	-10	-5	0	5	10

Cooling capacity in W

5	-	-	-	-	-	-	-	-	-
15	-	2 546	3 208	3 992	4 914	-	-	-	-
20	-	2 427	3 067	3 824	4 713	5 747	-	-	-
30	-	2 172	2 763	3 462	4 281	5 233	6 333	7 594	-
40	-	1 894	2 431	3 064	3 807	4 672	5 673	6 824	-
50	-	-	-	2 631	3 291	4 062	4 958	5 993	-
60	-	-	-	-	2 733	3 404	4 189	5 102	-
65	-	-	-	-	-	-	-	-	-

Power input in W

5	-	-	-	-	-	-	-	-	-
15	-	874	867	838	784	-	-	-	-
20	-	956	961	948	912	850	-	-	-
30	-	1 143	1 163	1 172	1 167	1 141	1 092	1 015	-
40	-	1 384	1 408	1 428	1 441	1 442	1 426	1 389	-
50	-	-	-	1 746	1 766	1 781	1 788	1 780	-
60	-	-	-	-	2 172	2 190	2 207	2 218	-
65	-	-	-	-	-	-	-	-	-

Current consumption in A

5	-	-	-	-	-	-	-	-	-
15	-	1.71	1.70	1.60	1.42	-	-	-	-
20	-	1.81	1.83	1.79	1.67	1.49	-	-	-
30	-	2.04	2.09	2.10	2.07	2.00	1.90	1.76	-
40	-	2.43	2.42	2.42	2.41	2.39	2.37	2.34	-
50	-	-	-	2.89	2.83	2.80	2.79	2.81	-
60	-	-	-	-	3.46	3.34	3.28	3.27	-
65	-	-	-	-	-	-	-	-	-

Mass flow in kg/h

5	-	-	-	-	-	-	-	-	-
15	-	49	61	75	91	-	-	-	-
20	-	49	61	75	91	109	-	-	-
30	-	48	60	74	90	108	129	153	-
40	-	47	59	73	88	107	128	151	-
50	-	-	-	70	86	104	125	149	-
60	-	-	-	-	83	101	122	145	-
65	-	-	-	-	-	-	-	-	-

Coefficient of performance (C.O.P.)

5	-	-	-	-	-	-	-	-	-
15	-	2.91	3.70	4.76	6.27	-	-	-	-
20	-	2.54	3.19	4.03	5.17	6.76	-	-	-
30	-	1.90	2.38	2.95	3.67	4.59	5.80	7.48	-
40	-	1.37	1.73	2.15	2.64	3.24	3.98	4.91	-
50	-	-	-	1.51	1.86	2.28	2.77	3.37	-
60	-	-	-	-	1.26	1.55	1.90	2.30	-
65	-	-	-	-	-	-	-	-	-

Nominal performance at to = -10 °C, tc = 45 °C

Cooling capacity	2 852	W
Power input	1 578	W
Current consumption	2.63	A
Mass flow	72	kg/h
C.O.P.	1.81	

Pressure switch settings

Maximum HP switch setting	27.4	bar(g)
Minimum LP switch setting	0.8	bar(g)
LP pump down setting	1.1	bar(g)

Sound power data

Sound power level		dB(A)
With acoustic hood		dB(A)

to: Evaporating temperature at dew point

tc: Condensing temperature at dew point

Rating conditions : Superheat = 10 K , Subcooling = 0 K

Tolerance according EN12900

Danfoss can accept no responsibility for possible errors in catalogues, brochures and other printed material. Danfoss reserves the right to alter its products without notice. This also applies to products already on order provided that such alternations can be made without subsequential changes being necessary in specifications already agreed. All trademarks in this material are property of the respective companies. Danfoss and the Danfoss logotype are trademarks of Danfoss A/S. All rights reserved.

Performance data at 55 Hz, EN 12900 rating conditions, Suction temp. = 20 °C
R448A

Cond. temp. in °C (tc)	Evaporating temperature in °C (to)								
	-30	-20	-15	-10	-5	0	5	10	20

Cooling capacity in W

5	-	-	-	-	-	-	-	-	-
15	-	2 544	3 200	3 980	4 896	-	-	-	-
20	-	2 437	3 073	3 825	4 708	5 736	-	-	-
30	-	2 207	2 797	3 491	4 302	5 246	6 336	7 594	-
40	-	-	2 492	3 122	3 856	4 708	5 691	6 824	-
50	-	-	-	2 717	3 368	4 122	4 992	5 993	-
60	-	-	-	-	-	3 488	4 239	5 102	-
65	-	-	-	-	-	-	-	-	-

Power input in W

5	-	-	-	-	-	-	-	-	-
15	-	874	867	838	784	-	-	-	-
20	-	956	961	948	912	850	-	-	-
30	-	1 143	1 163	1 172	1 167	1 141	1 092	1 015	-
40	-	-	1 408	1 428	1 441	1 442	1 426	1 389	-
50	-	-	-	1 746	1 766	1 781	1 788	1 780	-
60	-	-	-	-	-	2 190	2 207	2 218	-
65	-	-	-	-	-	-	-	-	-

Current consumption in A

5	-	-	-	-	-	-	-	-	-
15	-	1.71	1.70	1.60	1.42	-	-	-	-
20	-	1.81	1.83	1.79	1.67	1.49	-	-	-
30	-	2.04	2.09	2.10	2.07	2.00	1.90	1.76	-
40	-	-	2.42	2.42	2.41	2.39	2.37	2.34	-
50	-	-	-	2.89	2.83	2.80	2.79	2.81	-
60	-	-	-	-	-	3.34	3.28	3.27	-
65	-	-	-	-	-	-	-	-	-

Mass flow in kg/h

5	-	-	-	-	-	-	-	-	-
15	-	43	55	68	85	-	-	-	-
20	-	43	55	68	85	104	-	-	-
30	-	42	54	67	84	103	126	153	-
40	-	-	52	66	82	102	124	151	-
50	-	-	-	64	80	99	122	149	-
60	-	-	-	-	-	96	119	145	-
65	-	-	-	-	-	-	-	-	-

Coefficient of performance (C.O.P.)

5	-	-	-	-	-	-	-	-	-
15	-	2.91	3.69	4.75	6.25	-	-	-	-
20	-	2.55	3.20	4.03	5.16	6.75	-	-	-
30	-	1.93	2.41	2.98	3.69	4.60	5.80	7.48	-
40	-	-	1.77	2.19	2.68	3.26	3.99	4.91	-
50	-	-	-	1.56	1.91	2.31	2.79	3.37	-
60	-	-	-	-	-	1.59	1.92	2.30	-
65	-	-	-	-	-	-	-	-	-

Nominal performance at to = -10 °C, tc = 45 °C

Cooling capacity	2 924	W
Power input	1 578	W
Current consumption	2.63	A
Mass flow	65	kg/h
C.O.P.	1.85	

Pressure switch settings

Maximum HP switch setting	27.4	bar(g)
Minimum LP switch setting	0.8	bar(g)
LP pump down setting	1.1	bar(g)

Sound power data

Sound power level		dB(A)
With acoustic hood		dB(A)

to: Evaporating temperature at dew point

tc: Condensing temperature at dew point

Rating conditions : Suction gas temp. = 20 °C , Subcooling = 0 K

Tolerance according EN12900

Danfoss can accept no responsibility for possible errors in catalogues, brochures and other printed material. Danfoss reserves the right to alter its products without notice. This also applies to products already on order provided that such alternations can be made without subsequential changes being necessary in specifications already agreed. All trademarks in this material are property of the respective companies. Danfoss and the Danfoss logotype are trademarks of Danfoss A/S. All rights reserved.

Performance data at 60 Hz, EN 12900 rating conditions

R448A

Cond. temp. in °C (tc)	Evaporating temperature in °C (to)							
	-30	-20	-15	-10	-5	0	5	10

Cooling capacity in W

5	-	-	-	-	-	-	-	-	-
15	-	2 779	3 499	4 356	5 363	-	-	-	-
20	-	2 649	3 345	4 170	5 141	6 271	-	-	-
30	-	2 372	3 015	3 775	4 667	5 706	6 907	8 287	-
40	-	2 073	2 657	3 345	4 152	5 095	6 187	7 444	-
50	-	-	-	2 878	3 595	4 435	5 412	6 542	-
60	-	-	-	-	2 993	3 725	4 581	5 577	-
65	-	-	-	-	-	-	-	-	-

Power input in W

5	-	-	-	-	-	-	-	-	-
15	-	963	957	927	868	-	-	-	-
20	-	1 053	1 060	1 046	1 008	941	-	-	-
30	-	1 255	1 279	1 290	1 285	1 258	1 205	1 121	-
40	-	1 514	1 542	1 567	1 582	1 584	1 568	1 528	-
50	-	-	-	1 908	1 932	1 950	1 958	1 951	-
60	-	-	-	-	2 366	2 389	2 409	2 422	-
65	-	-	-	-	-	-	-	-	-

Current consumption in A

5	-	-	-	-	-	-	-	-	-
15	-	1.84	1.83	1.72	1.53	-	-	-	-
20	-	1.95	1.98	1.93	1.80	1.61	-	-	-
30	-	2.19	2.25	2.26	2.23	2.16	2.05	1.90	-
40	-	2.59	2.60	2.60	2.59	2.58	2.55	2.52	-
50	-	-	-	3.10	3.04	3.01	3.00	3.02	-
60	-	-	-	-	3.70	3.58	3.52	3.52	-
65	-	-	-	-	-	-	-	-	-

Mass flow in kg/h

5	-	-	-	-	-	-	-	-	-
15	-	54	67	82	99	-	-	-	-
20	-	54	67	82	99	119	-	-	-
30	-	53	66	81	98	118	141	167	-
40	-	51	64	79	97	116	139	165	-
50	-	-	-	77	94	114	137	162	-
60	-	-	-	-	91	111	133	159	-
65	-	-	-	-	-	-	-	-	-

Coefficient of performance (C.O.P.)

5	-	-	-	-	-	-	-	-	-
15	-	2.88	3.66	4.70	6.18	-	-	-	-
20	-	2.52	3.16	3.99	5.10	6.67	-	-	-
30	-	1.89	2.36	2.93	3.63	4.54	5.73	7.39	-
40	-	1.37	1.72	2.13	2.62	3.22	3.95	4.87	-
50	-	-	-	1.51	1.86	2.27	2.76	3.35	-
60	-	-	-	-	1.27	1.56	1.90	2.30	-
65	-	-	-	-	-	-	-	-	-

Nominal performance at to = -10 °C, tc = 45 °C

Cooling capacity	3 116	W
Power input	1 727	W
Current consumption	2.82	A
Mass flow	78	kg/h
C.O.P.	1.80	

Pressure switch settings

Maximum HP switch setting	27.4	bar(g)
Minimum LP switch setting	0.8	bar(g)
LP pump down setting	1.1	bar(g)

Sound power data

Sound power level		dB(A)
With acoustic hood		dB(A)

to: Evaporating temperature at dew point

tc: Condensing temperature at dew point

Rating conditions : Superheat = 10 K , Subcooling = 0 K

Tolerance according EN12900

Danfoss can accept no responsibility for possible errors in catalogues, brochures and other printed material. Danfoss reserves the right to alter its products without notice. This also applies to products already on order provided that such alternations can be made without subsequential changes being necessary in specifications already agreed. All trademarks in this material are property of the respective companies. Danfoss and the Danfoss logotype are trademarks of Danfoss A/S. All rights reserved.

Performance data at 60 Hz, EN 12900 rating conditions, Suction temp. = 20 °C

R448A

Cond. temp. in °C (tc)	Evaporating temperature in °C (to)							
	-30	-20	-15	-10	-5	0	5	10

Cooling capacity in W

5	-	-	-	-	-	-	-	-	-
15	-	2 776	3 491	4 341	5 343	-	-	-	-
20	-	2 660	3 352	4 171	5 135	6 259	-	-	-
30	-	2 411	3 052	3 807	4 690	5 719	6 911	8 287	-
40	-	-	2 724	3 408	4 206	5 134	6 207	7 444	-
50	-	-	-	2 972	3 680	4 500	5 449	6 542	-
60	-	-	-	-	-	3 817	4 635	5 577	-
65	-	-	-	-	-	-	-	-	-

Power input in W

5	-	-	-	-	-	-	-	-	-
15	-	963	957	927	868	-	-	-	-
20	-	1 053	1 060	1 046	1 008	941	-	-	-
30	-	1 255	1 279	1 290	1 285	1 258	1 205	1 121	-
40	-	-	1 542	1 567	1 582	1 584	1 568	1 528	-
50	-	-	-	1 908	1 932	1 950	1 958	1 951	-
60	-	-	-	-	-	2 389	2 409	2 422	-
65	-	-	-	-	-	-	-	-	-

Current consumption in A

5	-	-	-	-	-	-	-	-	-
15	-	1.84	1.83	1.72	1.53	-	-	-	-
20	-	1.95	1.98	1.93	1.80	1.61	-	-	-
30	-	2.19	2.25	2.26	2.23	2.16	2.05	1.90	-
40	-	-	2.60	2.60	2.59	2.58	2.55	2.52	-
50	-	-	-	3.10	3.04	3.01	3.00	3.02	-
60	-	-	-	-	-	3.58	3.52	3.52	-
65	-	-	-	-	-	-	-	-	-

Mass flow in kg/h

5	-	-	-	-	-	-	-	-	-
15	-	47	60	75	92	-	-	-	-
20	-	47	59	74	92	113	-	-	-
30	-	46	59	74	91	112	137	167	-
40	-	-	57	72	90	111	136	165	-
50	-	-	-	70	88	108	133	162	-
60	-	-	-	-	-	105	130	159	-
65	-	-	-	-	-	-	-	-	-

Coefficient of performance (C.O.P.)

5	-	-	-	-	-	-	-	-	-
15	-	2.88	3.65	4.68	6.16	-	-	-	-
20	-	2.53	3.16	3.99	5.09	6.65	-	-	-
30	-	1.92	2.39	2.95	3.65	4.55	5.73	7.39	-
40	-	-	1.77	2.18	2.66	3.24	3.96	4.87	-
50	-	-	-	1.56	1.90	2.31	2.78	3.35	-
60	-	-	-	-	-	1.60	1.92	2.30	-
65	-	-	-	-	-	-	-	-	-

Nominal performance at to = -10 °C, tc = 45 °C

Cooling capacity	3 195	W
Power input	1 727	W
Current consumption	2.82	A
Mass flow	71	kg/h
C.O.P.	1.85	

Pressure switch settings

Maximum HP switch setting	27.4	bar(g)
Minimum LP switch setting	0.8	bar(g)
LP pump down setting	1.1	bar(g)

Sound power data

Sound power level		dB(A)
With acoustic hood		dB(A)

to: Evaporating temperature at dew point

tc: Condensing temperature at dew point

Rating conditions : Suction gas temp. = 20 °C , Subcooling = 0 K

Tolerance according EN12900

Danfoss can accept no responsibility for possible errors in catalogues, brochures and other printed material. Danfoss reserves the right to alter its products without notice. This also applies to products already on order provided that such alternations can be made without subsequential changes being necessary in specifications already agreed. All trademarks in this material are property of the respective companies. Danfoss and the Danfoss logotype are trademarks of Danfoss A/S. All rights reserved.

Performance data at 65 Hz, EN 12900 rating conditions

R448A

Cond. temp. in °C (tc)	Evaporating temperature in °C (to)							
	-30	-20	-15	-10	-5	0	5	10

Cooling capacity in W

5	-	-	-	-	-	-	-	-	-
15	-	3 008	3 787	4 715	5 809	-	-	-	-
20	-	2 867	3 619	4 512	5 563	6 791	-	-	-
30	-	2 571	3 264	4 083	5 048	6 173	7 478	8 978	-
40	-	2 250	2 880	3 622	4 494	5 513	6 696	8 061	-
50	-	-	-	3 122	3 897	4 805	5 862	7 087	-
60	-	-	-	-	3 253	4 044	4 972	6 052	-
65	-	-	-	-	-	-	-	-	-

Power input in W

5	-	-	-	-	-	-	-	-	-
15	-	1 058	1 053	1 022	960	-	-	-	-
20	-	1 154	1 163	1 151	1 111	1 040	-	-	-
30	-	1 371	1 399	1 413	1 409	1 382	1 326	1 236	-
40	-	1 646	1 680	1 709	1 728	1 732	1 715	1 673	-
50	-	-	-	2 073	2 101	2 123	2 134	2 127	-
60	-	-	-	-	2 562	2 590	2 614	2 630	-
65	-	-	-	-	-	-	-	-	-

Current consumption in A

5	-	-	-	-	-	-	-	-	-
15	-	1.97	1.96	1.85	1.66	-	-	-	-
20	-	2.09	2.12	2.07	1.94	1.74	-	-	-
30	-	2.35	2.41	2.42	2.39	2.32	2.20	2.06	-
40	-	2.76	2.78	2.79	2.78	2.76	2.74	2.71	-
50	-	-	-	3.31	3.25	3.22	3.22	3.24	-
60	-	-	-	-	3.95	3.83	3.78	3.78	-
65	-	-	-	-	-	-	-	-	-

Mass flow in kg/h

5	-	-	-	-	-	-	-	-	-
15	-	58	72	89	108	-	-	-	-
20	-	58	72	88	107	129	-	-	-
30	-	57	71	87	106	128	153	181	-
40	-	55	69	86	104	126	151	179	-
50	-	-	-	83	102	124	148	176	-
60	-	-	-	-	99	120	145	172	-
65	-	-	-	-	-	-	-	-	-

Coefficient of performance (C.O.P.)

5	-	-	-	-	-	-	-	-	-
15	-	2.84	3.60	4.62	6.05	-	-	-	-
20	-	2.48	3.11	3.92	5.01	6.53	-	-	-
30	-	1.88	2.33	2.89	3.58	4.47	5.64	7.26	-
40	-	1.37	1.71	2.12	2.60	3.18	3.90	4.82	-
50	-	-	-	1.51	1.85	2.26	2.75	3.33	-
60	-	-	-	-	1.27	1.56	1.90	2.30	-
65	-	-	-	-	-	-	-	-	-

Nominal performance at to = -10 °C, tc = 45 °C

Cooling capacity	3 377	W
Power input	1 881	W
Current consumption	3.02	A
Mass flow	85	kg/h
C.O.P.	1.80	

Pressure switch settings

Maximum HP switch setting	27.4	bar(g)
Minimum LP switch setting	0.8	bar(g)
LP pump down setting	1.1	bar(g)

Sound power data

Sound power level		dB(A)
With acoustic hood		dB(A)

to: Evaporating temperature at dew point

tc: Condensing temperature at dew point

Rating conditions : Superheat = 10 K , Subcooling = 0 K

Tolerance according EN12900

Danfoss can accept no responsibility for possible errors in catalogues, brochures and other printed material. Danfoss reserves the right to alter its products without notice. This also applies to products already on order provided that such alternations can be made without subsequential changes being necessary in specifications already agreed. All trademarks in this material are property of the respective companies. Danfoss and the Danfoss logotype are trademarks of Danfoss A/S. All rights reserved.

Performance data at 65 Hz, EN 12900 rating conditions, Suction temp. = 20 °C

R448A

Cond. temp. in °C (tc)	Evaporating temperature in °C (to)								
	-30	-20	-15	-10	-5	0	5	10	20

Cooling capacity in W

5	-	-	-	-	-	-	-	-	-
15	-	3 005	3 779	4 700	5 787	-	-	-	-
20	-	2 879	3 626	4 513	5 557	6 778	-	-	-
30	-	2 613	3 303	4 118	5 073	6 188	7 482	8 978	-
40	-	-	2 952	3 690	4 552	5 555	6 718	8 061	-
50	-	-	-	3 224	3 988	4 876	5 903	7 087	-
60	-	-	-	-	-	4 145	5 031	6 052	-
65	-	-	-	-	-	-	-	-	-

Power input in W

5	-	-	-	-	-	-	-	-	-
15	-	1 058	1 053	1 022	960	-	-	-	-
20	-	1 154	1 163	1 151	1 111	1 040	-	-	-
30	-	1 371	1 399	1 413	1 409	1 382	1 326	1 236	-
40	-	-	1 680	1 709	1 728	1 732	1 715	1 673	-
50	-	-	-	2 073	2 101	2 123	2 134	2 127	-
60	-	-	-	-	-	2 590	2 614	2 630	-
65	-	-	-	-	-	-	-	-	-

Current consumption in A

5	-	-	-	-	-	-	-	-	-
15	-	1.97	1.96	1.85	1.66	-	-	-	-
20	-	2.09	2.12	2.07	1.94	1.74	-	-	-
30	-	2.35	2.41	2.42	2.39	2.32	2.20	2.06	-
40	-	-	2.78	2.79	2.78	2.76	2.74	2.71	-
50	-	-	-	3.31	3.25	3.22	3.22	3.24	-
60	-	-	-	-	-	3.83	3.78	3.78	-
65	-	-	-	-	-	-	-	-	-

Mass flow in kg/h

5	-	-	-	-	-	-	-	-	-
15	-	51	65	81	100	-	-	-	-
20	-	51	64	81	100	123	-	-	-
30	-	50	63	80	99	122	149	181	-
40	-	-	62	78	97	120	147	179	-
50	-	-	-	76	95	117	144	176	-
60	-	-	-	-	-	114	141	172	-
65	-	-	-	-	-	-	-	-	-

Coefficient of performance (C.O.P.)

5	-	-	-	-	-	-	-	-	-
15	-	2.84	3.59	4.60	6.03	-	-	-	-
20	-	2.49	3.12	3.92	5.00	6.52	-	-	-
30	-	1.91	2.36	2.91	3.60	4.48	5.64	7.26	-
40	-	-	1.76	2.16	2.63	3.21	3.92	4.82	-
50	-	-	-	1.56	1.90	2.30	2.77	3.33	-
60	-	-	-	-	-	1.60	1.92	2.30	-
65	-	-	-	-	-	-	-	-	-

Nominal performance at to = -10 °C, tc = 45 °C

Cooling capacity	3 462	W
Power input	1 881	W
Current consumption	3.02	A
Mass flow	77	kg/h
C.O.P.	1.84	

Pressure switch settings

Maximum HP switch setting	27.4	bar(g)
Minimum LP switch setting	0.8	bar(g)
LP pump down setting	1.1	bar(g)

Sound power data

Sound power level		dB(A)
With acoustic hood		dB(A)

to: Evaporating temperature at dew point

tc: Condensing temperature at dew point

Rating conditions : Suction gas temp. = 20 °C , Subcooling = 0 K

Tolerance according EN12900

Danfoss can accept no responsibility for possible errors in catalogues, brochures and other printed material. Danfoss reserves the right to alter its products without notice. This also applies to products already on order provided that such alternations can be made without subsequential changes being necessary in specifications already agreed. All trademarks in this material are property of the respective companies. Danfoss and the Danfoss logotype are trademarks of Danfoss A/S. All rights reserved.

Performance data at 70 Hz, EN 12900 rating conditions

R448A

Cond. temp. in °C (tc)	Evaporating temperature in °C (to)							
	-30	-20	-15	-10	-5	0	5	10

Cooling capacity in W

5	-	-	-	-	-	-	-	-	-
15	-	3 235	4 072	5 071	6 251	-	-	-	-
20	-	3 083	3 889	4 849	5 982	7 308	-	-	-
30	-	2 766	3 508	4 387	5 423	6 636	8 044	9 667	-
40	-	2 426	3 100	3 895	4 830	5 926	7 201	8 675	-
50	-	-	-	3 364	4 196	5 171	6 310	7 631	-
60	-	-	-	-	3 512	4 364	5 362	6 527	-
65	-	-	-	-	-	-	-	-	-

Power input in W

5	-	-	-	-	-	-	-	-	-
15	-	1 157	1 154	1 123	1 059	-	-	-	-
20	-	1 260	1 272	1 261	1 221	1 147	-	-	-
30	-	1 490	1 523	1 541	1 539	1 512	1 454	1 360	-
40	-	1 782	1 822	1 857	1 879	1 885	1 869	1 825	-
50	-	-	-	2 241	2 275	2 301	2 313	2 307	-
60	-	-	-	-	2 761	2 794	2 822	2 840	-
65	-	-	-	-	-	-	-	-	-

Current consumption in A

5	-	-	-	-	-	-	-	-	-
15	-	2.10	2.09	1.99	1.79	-	-	-	-
20	-	2.22	2.26	2.21	2.09	1.89	-	-	-
30	-	2.50	2.57	2.59	2.56	2.48	2.37	2.22	-
40	-	2.93	2.96	2.97	2.97	2.96	2.93	2.90	-
50	-	-	-	3.51	3.47	3.45	3.44	3.46	-
60	-	-	-	-	4.19	4.09	4.04	4.04	-
65	-	-	-	-	-	-	-	-	-

Mass flow in kg/h

5	-	-	-	-	-	-	-	-	-
15	-	63	78	95	116	-	-	-	-
20	-	62	77	95	115	139	-	-	-
30	-	61	76	94	114	137	164	195	-
40	-	60	75	92	112	135	162	192	-
50	-	-	-	90	110	133	159	189	-
60	-	-	-	-	107	130	156	186	-
65	-	-	-	-	-	-	-	-	-

Coefficient of performance (C.O.P.)

5	-	-	-	-	-	-	-	-	-
15	-	2.80	3.53	4.52	5.90	-	-	-	-
20	-	2.45	3.06	3.85	4.90	6.37	-	-	-
30	-	1.86	2.30	2.85	3.52	4.39	5.53	7.11	-
40	-	1.36	1.70	2.10	2.57	3.14	3.85	4.75	-
50	-	-	-	1.50	1.84	2.25	2.73	3.31	-
60	-	-	-	-	1.27	1.56	1.90	2.30	-
65	-	-	-	-	-	-	-	-	-

Nominal performance at to = -10 °C, tc = 45 °C

Cooling capacity	3 635	W
Power input	2 038	W
Current consumption	3.21	A
Mass flow	91	kg/h
C.O.P.	1.78	

Pressure switch settings

Maximum HP switch setting	27.4	bar(g)
Minimum LP switch setting	0.8	bar(g)
LP pump down setting	1.1	bar(g)

Sound power data

Sound power level		dB(A)
With acoustic hood		dB(A)

to: Evaporating temperature at dew point

tc: Condensing temperature at dew point

Rating conditions : Superheat = 10 K , Subcooling = 0 K

Tolerance according EN12900

Danfoss can accept no responsibility for possible errors in catalogues, brochures and other printed material. Danfoss reserves the right to alter its products without notice. This also applies to products already on order provided that such alternations can be made without subsequential changes being necessary in specifications already agreed. All trademarks in this material are property of the respective companies. Danfoss and the Danfoss logotype are trademarks of Danfoss A/S. All rights reserved.

Performance data at 70 Hz, EN 12900 rating conditions, Suction temp. = 20 °C

R448A

Cond. temp. in °C (tc)	Evaporating temperature in °C (to)							
	-30	-20	-15	-10	-5	0	5	10

Cooling capacity in W

5	-	-	-	-	-	-	-	-	-
15	-	3 232	4 063	5 055	6 228	-	-	-	-
20	-	3 096	3 897	4 850	5 975	7 294	-	-	-
30	-	2 811	3 551	4 424	5 451	6 651	8 048	9 667	-
40	-	-	3 178	3 968	4 893	5 972	7 224	8 675	-
50	-	-	-	3 474	4 294	5 248	6 353	7 631	-
60	-	-	-	-	-	4 472	5 427	6 527	-
65	-	-	-	-	-	-	-	-	-

Power input in W

5	-	-	-	-	-	-	-	-	-
15	-	1 157	1 154	1 123	1 059	-	-	-	-
20	-	1 260	1 272	1 261	1 221	1 147	-	-	-
30	-	1 490	1 523	1 541	1 539	1 512	1 454	1 360	-
40	-	-	1 822	1 857	1 879	1 885	1 869	1 825	-
50	-	-	-	2 241	2 275	2 301	2 313	2 307	-
60	-	-	-	-	-	2 794	2 822	2 840	-
65	-	-	-	-	-	-	-	-	-

Current consumption in A

5	-	-	-	-	-	-	-	-	-
15	-	2.10	2.09	1.99	1.79	-	-	-	-
20	-	2.22	2.26	2.21	2.09	1.89	-	-	-
30	-	2.50	2.57	2.59	2.56	2.48	2.37	2.22	-
40	-	-	2.96	2.97	2.97	2.96	2.93	2.90	-
50	-	-	-	3.51	3.47	3.45	3.44	3.46	-
60	-	-	-	-	-	4.09	4.04	4.04	-
65	-	-	-	-	-	-	-	-	-

Mass flow in kg/h

5	-	-	-	-	-	-	-	-	-
15	-	55	70	87	108	-	-	-	-
20	-	55	69	87	107	132	-	-	-
30	-	54	68	85	106	131	160	195	-
40	-	-	67	84	104	129	158	192	-
50	-	-	-	82	102	126	155	189	-
60	-	-	-	-	-	123	152	186	-
65	-	-	-	-	-	-	-	-	-

Coefficient of performance (C.O.P.)

5	-	-	-	-	-	-	-	-	-
15	-	2.79	3.52	4.50	5.88	-	-	-	-
20	-	2.46	3.06	3.85	4.89	6.36	-	-	-
30	-	1.89	2.33	2.87	3.54	4.40	5.54	7.11	-
40	-	-	1.74	2.14	2.60	3.17	3.87	4.75	-
50	-	-	-	1.55	1.89	2.28	2.75	3.31	-
60	-	-	-	-	-	1.60	1.92	2.30	-
65	-	-	-	-	-	-	-	-	-

Nominal performance at to = -10 °C, tc = 45 °C

Cooling capacity	3 726	W
Power input	2 038	W
Current consumption	3.21	A
Mass flow	83	kg/h
C.O.P.	1.83	

Pressure switch settings

Maximum HP switch setting	27.4	bar(g)
Minimum LP switch setting	0.8	bar(g)
LP pump down setting	1.1	bar(g)

Sound power data

Sound power level		dB(A)
With acoustic hood		dB(A)

to: Evaporating temperature at dew point

tc: Condensing temperature at dew point

Rating conditions : Suction gas temp. = 20 °C , Subcooling = 0 K

Tolerance according EN12900

Danfoss can accept no responsibility for possible errors in catalogues, brochures and other printed material. Danfoss reserves the right to alter its products without notice. This also applies to products already on order provided that such alternations can be made without subsequential changes being necessary in specifications already agreed. All trademarks in this material are property of the respective companies. Danfoss and the Danfoss logotype are trademarks of Danfoss A/S. All rights reserved.

Performance data at 75 Hz, EN 12900 rating conditions

R448A

Cond. temp. in °C (tc)	Evaporating temperature in °C (to)							
	-30	-20	-15	-10	-5	0	5	10

Cooling capacity in W

5	-	-	-	-	-	-	-	-	-
15	-	3 459	4 354	5 424	6 691	-	-	-	-
20	-	3 296	4 156	5 182	6 397	7 821	-	-	-
30	-	2 959	3 749	4 686	5 794	7 093	8 605	10 353	-
40	-	2 600	3 317	4 164	5 163	6 334	7 701	9 285	-
50	-	-	-	3 604	4 492	5 535	6 754	8 172	-
60	-	-	-	-	3 771	4 683	5 753	7 003	-
65	-	-	-	-	-	-	-	-	-

Power input in W

5	-	-	-	-	-	-	-	-	-
15	-	1 260	1 260	1 231	1 167	-	-	-	-
20	-	1 370	1 386	1 377	1 338	1 263	-	-	-
30	-	1 614	1 653	1 675	1 675	1 649	1 589	1 492	-
40	-	1 920	1 968	2 008	2 035	2 043	2 028	1 983	-
50	-	-	-	2 412	2 452	2 482	2 497	2 491	-
60	-	-	-	-	2 962	3 001	3 033	3 053	-
65	-	-	-	-	-	-	-	-	-

Current consumption in A

5	-	-	-	-	-	-	-	-	-
15	-	2.23	2.23	2.13	1.94	-	-	-	-
20	-	2.37	2.40	2.36	2.24	2.05	-	-	-
30	-	2.66	2.73	2.75	2.73	2.66	2.55	2.41	-
40	-	3.09	3.13	3.16	3.16	3.15	3.13	3.10	-
50	-	-	-	3.72	3.69	3.67	3.67	3.70	-
60	-	-	-	-	4.43	4.35	4.31	4.32	-
65	-	-	-	-	-	-	-	-	-

Mass flow in kg/h

5	-	-	-	-	-	-	-	-	-
15	-	67	83	102	124	-	-	-	-
20	-	67	83	102	123	149	-	-	-
30	-	66	82	100	122	147	176	209	-
40	-	64	80	99	120	145	173	206	-
50	-	-	-	96	118	142	171	203	-
60	-	-	-	-	115	139	167	199	-
65	-	-	-	-	-	-	-	-	-

Coefficient of performance (C.O.P.)

5	-	-	-	-	-	-	-	-	-
15	-	2.75	3.45	4.41	5.74	-	-	-	-
20	-	2.41	3.00	3.76	4.78	6.19	-	-	-
30	-	1.83	2.27	2.80	3.46	4.30	5.41	6.94	-
40	-	1.35	1.69	2.07	2.54	3.10	3.80	4.68	-
50	-	-	-	1.49	1.83	2.23	2.70	3.28	-
60	-	-	-	-	1.27	1.56	1.90	2.29	-
65	-	-	-	-	-	-	-	-	-

Nominal performance at to = -10 °C, tc = 45 °C

Cooling capacity	3 889	W
Power input	2 199	W
Current consumption	3.41	A
Mass flow	98	kg/h
C.O.P.	1.77	

Pressure switch settings

Maximum HP switch setting	27.4	bar(g)
Minimum LP switch setting	0.8	bar(g)
LP pump down setting	1.1	bar(g)

Sound power data

Sound power level		dB(A)
With acoustic hood		dB(A)

to: Evaporating temperature at dew point

tc: Condensing temperature at dew point

Rating conditions : Superheat = 10 K , Subcooling = 0 K

Tolerance according EN12900

Danfoss can accept no responsibility for possible errors in catalogues, brochures and other printed material. Danfoss reserves the right to alter its products without notice. This also applies to products already on order provided that such alternations can be made without subsequential changes being necessary in specifications already agreed. All trademarks in this material are property of the respective companies. Danfoss and the Danfoss logotype are trademarks of Danfoss A/S. All rights reserved.

Performance data at 75 Hz, EN 12900 rating conditions, Suction temp. = 20 °C

R448A

Cond. temp. in °C (tc)	Evaporating temperature in °C (to)							
	-30	-20	-15	-10	-5	0	5	10

Cooling capacity in W

5	-	-	-	-	-	-	-	-	-
15	-	3 456	4 344	5 406	6 665	-	-	-	-
20	-	3 310	4 165	5 183	6 389	7 807	-	-	-
30	-	3 008	3 795	4 726	5 823	7 110	8 610	10 353	-
40	-	-	3 400	4 242	5 229	6 383	7 726	9 285	-
50	-	-	-	3 722	4 597	5 616	6 800	8 172	-
60	-	-	-	-	-	4 799	5 822	7 003	-
65	-	-	-	-	-	-	-	-	-

Power input in W

5	-	-	-	-	-	-	-	-	-
15	-	1 260	1 260	1 231	1 167	-	-	-	-
20	-	1 370	1 386	1 377	1 338	1 263	-	-	-
30	-	1 614	1 653	1 675	1 675	1 649	1 589	1 492	-
40	-	-	1 968	2 008	2 035	2 043	2 028	1 983	-
50	-	-	-	2 412	2 452	2 482	2 497	2 491	-
60	-	-	-	-	-	3 001	3 033	3 053	-
65	-	-	-	-	-	-	-	-	-

Current consumption in A

5	-	-	-	-	-	-	-	-	-
15	-	2.23	2.23	2.13	1.94	-	-	-	-
20	-	2.37	2.40	2.36	2.24	2.05	-	-	-
30	-	2.66	2.73	2.75	2.73	2.66	2.55	2.41	-
40	-	-	3.13	3.16	3.16	3.15	3.13	3.10	-
50	-	-	-	3.72	3.69	3.67	3.67	3.70	-
60	-	-	-	-	-	4.35	4.31	4.32	-
65	-	-	-	-	-	-	-	-	-

Mass flow in kg/h

5	-	-	-	-	-	-	-	-	-
15	-	59	74	93	115	-	-	-	-
20	-	59	74	92	115	141	-	-	-
30	-	57	73	91	113	140	171	209	-
40	-	-	71	90	112	138	169	206	-
50	-	-	-	88	109	135	166	203	-
60	-	-	-	-	-	132	163	199	-
65	-	-	-	-	-	-	-	-	-

Coefficient of performance (C.O.P.)

5	-	-	-	-	-	-	-	-	-
15	-	2.74	3.45	4.39	5.71	-	-	-	-
20	-	2.42	3.00	3.76	4.78	6.18	-	-	-
30	-	1.86	2.30	2.82	3.48	4.31	5.42	6.94	-
40	-	-	1.73	2.11	2.57	3.12	3.81	4.68	-
50	-	-	-	1.54	1.87	2.26	2.72	3.28	-
60	-	-	-	-	-	1.60	1.92	2.29	-
65	-	-	-	-	-	-	-	-	-

Nominal performance at to = -10 °C, tc = 45 °C

Cooling capacity	3 988	W
Power input	2 199	W
Current consumption	3.41	A
Mass flow	89	kg/h
C.O.P.	1.81	

Pressure switch settings

Maximum HP switch setting	27.4	bar(g)
Minimum LP switch setting	0.8	bar(g)
LP pump down setting	1.1	bar(g)

Sound power data

Sound power level		dB(A)
With acoustic hood		dB(A)

to: Evaporating temperature at dew point

tc: Condensing temperature at dew point

Rating conditions : Suction gas temp. = 20 °C , Subcooling = 0 K

Tolerance according EN12900

Danfoss can accept no responsibility for possible errors in catalogues, brochures and other printed material. Danfoss reserves the right to alter its products without notice. This also applies to products already on order provided that such alternations can be made without subsequential changes being necessary in specifications already agreed. All trademarks in this material are property of the respective companies. Danfoss and the Danfoss logotype are trademarks of Danfoss A/S. All rights reserved.

Performance data at 80 Hz, EN 12900 rating conditions

R448A

Cond. temp. in °C (tc)	Evaporating temperature in °C (to)							
	-30	-20	-15	-10	-5	0	5	10

Cooling capacity in W

5	-	-	-	-	-	-	-	-	-
15	-	3 681	4 632	5 772	7 127	-	-	-	-
20	-	3 506	4 419	5 511	6 807	8 331	-	-	-
30	-	3 150	3 986	4 981	6 159	7 545	9 163	11 037	-
40	-	2 772	3 532	4 430	5 490	6 738	8 197	9 892	-
50	-	-	-	3 842	4 785	5 895	7 195	8 710	-
60	-	-	-	-	4 029	5 001	6 143	7 479	-
65	-	-	-	-	-	-	-	-	-

Power input in W

5	-	-	-	-	-	-	-	-	-
15	-	1 368	1 372	1 345	1 282	-	-	-	-
20	-	1 484	1 505	1 500	1 462	1 386	-	-	-
30	-	1 741	1 786	1 814	1 818	1 792	1 732	1 632	-
40	-	2 062	2 117	2 164	2 196	2 208	2 193	2 147	-
50	-	-	-	2 587	2 634	2 668	2 686	2 680	-
60	-	-	-	-	3 166	3 211	3 246	3 268	-
65	-	-	-	-	-	-	-	-	-

Current consumption in A

5	-	-	-	-	-	-	-	-	-
15	-	2.36	2.36	2.28	2.10	-	-	-	-
20	-	2.51	2.55	2.51	2.41	2.23	-	-	-
30	-	2.81	2.89	2.92	2.90	2.84	2.74	2.60	-
40	-	3.25	3.31	3.35	3.36	3.36	3.34	3.31	-
50	-	-	-	3.92	3.91	3.91	3.91	3.93	-
60	-	-	-	-	4.67	4.61	4.59	4.60	-
65	-	-	-	-	-	-	-	-	-

Mass flow in kg/h

5	-	-	-	-	-	-	-	-	-
15	-	72	89	109	132	-	-	-	-
20	-	71	88	108	131	158	-	-	-
30	-	70	87	106	129	156	187	222	-
40	-	68	85	105	128	154	184	219	-
50	-	-	-	103	125	152	182	216	-
60	-	-	-	-	123	149	179	213	-
65	-	-	-	-	-	-	-	-	-

Coefficient of performance (C.O.P.)

5	-	-	-	-	-	-	-	-	-
15	-	2.69	3.38	4.29	5.56	-	-	-	-
20	-	2.36	2.94	3.67	4.66	6.01	-	-	-
30	-	1.81	2.23	2.75	3.39	4.21	5.29	6.76	-
40	-	1.34	1.67	2.05	2.50	3.05	3.74	4.61	-
50	-	-	-	1.48	1.82	2.21	2.68	3.25	-
60	-	-	-	-	1.27	1.56	1.89	2.29	-
65	-	-	-	-	-	-	-	-	-

Nominal performance at to = -10 °C, tc = 45 °C

Cooling capacity	4 141	W
Power input	2 364	W
Current consumption	3.61	A
Mass flow	104	kg/h
C.O.P.	1.75	

Pressure switch settings

Maximum HP switch setting	27.4	bar(g)
Minimum LP switch setting	0.8	bar(g)
LP pump down setting	1.1	bar(g)

Sound power data

Sound power level		dB(A)
With acoustic hood		dB(A)

to: Evaporating temperature at dew point

tc: Condensing temperature at dew point

Rating conditions : Superheat = 10 K , Subcooling = 0 K

Tolerance according EN12900

Danfoss can accept no responsibility for possible errors in catalogues, brochures and other printed material. Danfoss reserves the right to alter its products without notice. This also applies to products already on order provided that such alternations can be made without subsequential changes being necessary in specifications already agreed. All trademarks in this material are property of the respective companies. Danfoss and the Danfoss logotype are trademarks of Danfoss A/S. All rights reserved.

Performance data at 80 Hz, EN 12900 rating conditions, Suction temp. = 20 °C

R448A

Cond. temp. in °C (tc)	Evaporating temperature in °C (to)							
	-30	-20	-15	-10	-5	0	5	10

Cooling capacity in W

5	-	-	-	-	-	-	-	-	-
15	-	3 677	4 621	5 754	7 100	-	-	-	-
20	-	3 521	4 428	5 512	6 799	8 316	-	-	-
30	-	3 201	4 035	5 023	6 190	7 563	9 168	11 037	-
40	-	-	3 620	4 513	5 561	6 790	8 224	9 892	-
50	-	-	-	3 968	4 897	5 982	7 244	8 710	-
60	-	-	-	-	-	5 125	6 216	7 479	-
65	-	-	-	-	-	-	-	-	-

Power input in W

5	-	-	-	-	-	-	-	-	-
15	-	1 368	1 372	1 345	1 282	-	-	-	-
20	-	1 484	1 505	1 500	1 462	1 386	-	-	-
30	-	1 741	1 786	1 814	1 818	1 792	1 732	1 632	-
40	-	-	2 117	2 164	2 196	2 208	2 193	2 147	-
50	-	-	-	2 587	2 634	2 668	2 686	2 680	-
60	-	-	-	-	-	3 211	3 246	3 268	-
65	-	-	-	-	-	-	-	-	-

Current consumption in A

5	-	-	-	-	-	-	-	-	-
15	-	2.36	2.36	2.28	2.10	-	-	-	-
20	-	2.51	2.55	2.51	2.41	2.23	-	-	-
30	-	2.81	2.89	2.92	2.90	2.84	2.74	2.60	-
40	-	-	3.31	3.35	3.36	3.36	3.34	3.31	-
50	-	-	-	3.92	3.91	3.91	3.91	3.93	-
60	-	-	-	-	-	4.61	4.59	4.60	-
65	-	-	-	-	-	-	-	-	-

Mass flow in kg/h

5	-	-	-	-	-	-	-	-	-
15	-	63	79	99	123	-	-	-	-
20	-	62	79	98	122	151	-	-	-
30	-	61	77	97	120	148	182	222	-
40	-	-	76	95	119	146	180	219	-
50	-	-	-	94	117	144	177	216	-
60	-	-	-	-	-	141	174	213	-
65	-	-	-	-	-	-	-	-	-

Coefficient of performance (C.O.P.)

5	-	-	-	-	-	-	-	-	-
15	-	2.69	3.37	4.28	5.54	-	-	-	-
20	-	2.37	2.94	3.68	4.65	6.00	-	-	-
30	-	1.84	2.26	2.77	3.41	4.22	5.29	6.76	-
40	-	-	1.71	2.09	2.53	3.08	3.75	4.61	-
50	-	-	-	1.53	1.86	2.24	2.70	3.25	-
60	-	-	-	-	-	1.60	1.91	2.29	-
65	-	-	-	-	-	-	-	-	-

Nominal performance at to = -10 °C, tc = 45 °C

Cooling capacity	4 246	W
Power input	2 364	W
Current consumption	3.61	A
Mass flow	95	kg/h
C.O.P.	1.80	

Pressure switch settings

Maximum HP switch setting	27.4	bar(g)
Minimum LP switch setting	0.8	bar(g)
LP pump down setting	1.1	bar(g)

Sound power data

Sound power level		dB(A)
With acoustic hood		dB(A)

to: Evaporating temperature at dew point

tc: Condensing temperature at dew point

Rating conditions : Suction gas temp. = 20 °C , Subcooling = 0 K

Tolerance according EN12900

Danfoss can accept no responsibility for possible errors in catalogues, brochures and other printed material. Danfoss reserves the right to alter its products without notice. This also applies to products already on order provided that such alternations can be made without subsequential changes being necessary in specifications already agreed. All trademarks in this material are property of the respective companies. Danfoss and the Danfoss logotype are trademarks of Danfoss A/S. All rights reserved.

Performance data at 85 Hz, EN 12900 rating conditions

R448A

Cond. temp. in °C (tc)	Evaporating temperature in °C (to)							
	-30	-20	-15	-10	-5	0	5	10

Cooling capacity in W

5	-	-	-	-	-	-	-	-	-
15	-	3 899	4 906	6 118	7 561	-	-	-	-
20	-	3 713	4 678	5 835	7 213	8 838	-	-	-
30	-	3 338	4 219	5 271	6 519	7 992	9 716	11 719	-
40	-	2 942	3 744	4 691	5 813	7 136	8 688	10 495	-
50	-	-	-	4 078	5 076	6 252	7 633	9 247	-
60	-	-	-	-	4 287	5 318	6 532	7 955	-
65	-	-	-	-	-	-	-	-	-

Power input in W

5	-	-	-	-	-	-	-	-	-
15	-	1 481	1 490	1 466	1 404	-	-	-	-
20	-	1 603	1 630	1 628	1 593	1 518	-	-	-
30	-	1 872	1 924	1 958	1 966	1 943	1 883	1 781	-
40	-	2 206	2 271	2 324	2 362	2 377	2 364	2 318	-
50	-	-	-	2 766	2 819	2 858	2 879	2 874	-
60	-	-	-	-	3 373	3 423	3 463	3 487	-
65	-	-	-	-	-	-	-	-	-

Current consumption in A

5	-	-	-	-	-	-	-	-	-
15	-	2.50	2.50	2.43	2.28	-	-	-	-
20	-	2.65	2.69	2.66	2.57	2.42	-	-	-
30	-	2.97	3.05	3.09	3.08	3.03	2.94	2.81	-
40	-	3.40	3.48	3.54	3.56	3.57	3.55	3.51	-
50	-	-	-	4.11	4.13	4.15	4.16	4.17	-
60	-	-	-	-	4.90	4.88	4.88	4.89	-
65	-	-	-	-	-	-	-	-	-

Mass flow in kg/h

5	-	-	-	-	-	-	-	-	-
15	-	76	94	115	140	-	-	-	-
20	-	75	93	114	139	168	-	-	-
30	-	74	92	113	137	165	198	236	-
40	-	72	90	111	135	163	195	233	-
50	-	-	-	109	133	161	193	229	-
60	-	-	-	-	130	158	190	226	-
65	-	-	-	-	-	-	-	-	-

Coefficient of performance (C.O.P.)

5	-	-	-	-	-	-	-	-	-
15	-	2.63	3.29	4.17	5.38	-	-	-	-
20	-	2.32	2.87	3.58	4.53	5.82	-	-	-
30	-	1.78	2.19	2.69	3.32	4.11	5.16	6.58	-
40	-	1.33	1.65	2.02	2.46	3.00	3.67	4.53	-
50	-	-	-	1.47	1.80	2.19	2.65	3.22	-
60	-	-	-	-	1.27	1.55	1.89	2.28	-
65	-	-	-	-	-	-	-	-	-

Nominal performance at to = -10 °C, tc = 45 °C

Cooling capacity	4 390	W
Power input	2 533	W
Current consumption	3.80	A
Mass flow	110	kg/h
C.O.P.	1.73	

Pressure switch settings

Maximum HP switch setting	27.4	bar(g)
Minimum LP switch setting	0.8	bar(g)
LP pump down setting	1.1	bar(g)

Sound power data

Sound power level		dB(A)
With acoustic hood		dB(A)

to: Evaporating temperature at dew point

tc: Condensing temperature at dew point

Rating conditions : Superheat = 10 K , Subcooling = 0 K

Tolerance according EN12900

Danfoss can accept no responsibility for possible errors in catalogues, brochures and other printed material. Danfoss reserves the right to alter its products without notice. This also applies to products already on order provided that such alternations can be made without subsequential changes being necessary in specifications already agreed. All trademarks in this material are property of the respective companies. Danfoss and the Danfoss logotype are trademarks of Danfoss A/S. All rights reserved.

Performance data at 85 Hz, EN 12900 rating conditions, Suction temp. = 20 °C

R448A

Cond. temp. in °C (tc)	Evaporating temperature in °C (to)								
	-30	-20	-15	-10	-5	0	5	10	20

Cooling capacity in W

5	-	-	-	-	-	-	-	-	-
15	-	3 896	4 895	6 098	7 532	-	-	-	-
20	-	3 729	4 687	5 837	7 204	8 821	-	-	-
30	-	3 392	4 271	5 315	6 552	8 011	9 721	11 719	-
40	-	-	3 838	4 780	5 889	7 191	8 716	10 495	-
50	-	-	-	4 211	5 195	6 344	7 685	9 247	-
60	-	-	-	-	-	5 450	6 610	7 955	-
65	-	-	-	-	-	-	-	-	-

Power input in W

5	-	-	-	-	-	-	-	-	-
15	-	1 481	1 490	1 466	1 404	-	-	-	-
20	-	1 603	1 630	1 628	1 593	1 518	-	-	-
30	-	1 872	1 924	1 958	1 966	1 943	1 883	1 781	-
40	-	-	2 271	2 324	2 362	2 377	2 364	2 318	-
50	-	-	-	2 766	2 819	2 858	2 879	2 874	-
60	-	-	-	-	-	3 423	3 463	3 487	-
65	-	-	-	-	-	-	-	-	-

Current consumption in A

5	-	-	-	-	-	-	-	-	-
15	-	2.50	2.50	2.43	2.28	-	-	-	-
20	-	2.65	2.69	2.66	2.57	2.42	-	-	-
30	-	2.97	3.05	3.09	3.08	3.03	2.94	2.81	-
40	-	-	3.48	3.54	3.56	3.57	3.55	3.51	-
50	-	-	-	4.11	4.13	4.15	4.16	4.17	-
60	-	-	-	-	-	4.88	4.88	4.89	-
65	-	-	-	-	-	-	-	-	-

Mass flow in kg/h

5	-	-	-	-	-	-	-	-	-
15	-	66	84	105	130	-	-	-	-
20	-	66	83	104	129	160	-	-	-
30	-	65	82	103	127	157	193	236	-
40	-	-	81	101	126	155	190	233	-
50	-	-	-	99	124	153	188	229	-
60	-	-	-	-	-	150	185	226	-
65	-	-	-	-	-	-	-	-	-

Coefficient of performance (C.O.P.)

5	-	-	-	-	-	-	-	-	-
15	-	2.63	3.29	4.16	5.36	-	-	-	-
20	-	2.33	2.88	3.58	4.52	5.81	-	-	-
30	-	1.81	2.22	2.72	3.33	4.12	5.16	6.58	-
40	-	-	1.69	2.06	2.49	3.03	3.69	4.53	-
50	-	-	-	1.52	1.84	2.22	2.67	3.22	-
60	-	-	-	-	-	1.59	1.91	2.28	-
65	-	-	-	-	-	-	-	-	-

Nominal performance at to = -10 °C, tc = 45 °C

Cooling capacity	4 501	W
Power input	2 533	W
Current consumption	3.80	A
Mass flow	100	kg/h
C.O.P.	1.78	

Pressure switch settings

Maximum HP switch setting	27.4	bar(g)
Minimum LP switch setting	0.8	bar(g)
LP pump down setting	1.1	bar(g)

Sound power data

Sound power level		dB(A)
With acoustic hood		dB(A)

to: Evaporating temperature at dew point

tc: Condensing temperature at dew point

Rating conditions : Suction gas temp. = 20 °C , Subcooling = 0 K

Tolerance according EN12900

Danfoss can accept no responsibility for possible errors in catalogues, brochures and other printed material. Danfoss reserves the right to alter its products without notice. This also applies to products already on order provided that such alternations can be made without subsequential changes being necessary in specifications already agreed. All trademarks in this material are property of the respective companies. Danfoss and the Danfoss logotype are trademarks of Danfoss A/S. All rights reserved.

Performance data at 90 Hz, EN 12900 rating conditions

R448A

Cond. temp. in °C (tc)	Evaporating temperature in °C (to)							
	-30	-20	-15	-10	-5	0	5	10

Cooling capacity in W

5	-	-	-	-	-	-	-	-	-
15	-	4 115	5 178	6 460	7 991	-	-	-	-
20	-	3 917	4 933	6 155	7 614	9 341	-	-	-
30	-	3 523	4 449	5 556	6 874	8 434	10 265	12 398	-
40	-	3 111	3 953	4 949	6 132	7 530	9 174	11 095	-
50	-	-	-	4 312	5 363	6 605	8 068	9 781	-
60	-	-	-	-	4 545	5 636	6 921	8 432	-
65	-	-	-	-	-	-	-	-	-

Power input in W

5	-	-	-	-	-	-	-	-	-
15	-	1 598	1 613	1 594	1 535	-	-	-	-
20	-	1 726	1 759	1 763	1 731	1 659	-	-	-
30	-	2 007	2 067	2 107	2 120	2 100	2 042	1 939	-
40	-	2 354	2 428	2 489	2 533	2 552	2 542	2 495	-
50	-	-	-	2 947	3 008	3 053	3 076	3 073	-
60	-	-	-	-	3 582	3 639	3 683	3 708	-
65	-	-	-	-	-	-	-	-	-

Current consumption in A

5	-	-	-	-	-	-	-	-	-
15	-	2.63	2.64	2.58	2.46	-	-	-	-
20	-	2.80	2.84	2.82	2.75	2.63	-	-	-
30	-	3.13	3.22	3.26	3.26	3.22	3.14	3.03	-
40	-	3.56	3.66	3.73	3.77	3.78	3.77	3.73	-
50	-	-	-	4.31	4.36	4.39	4.41	4.42	-
60	-	-	-	-	5.13	5.15	5.18	5.20	-
65	-	-	-	-	-	-	-	-	-

Mass flow in kg/h

5	-	-	-	-	-	-	-	-	-
15	-	80	99	122	148	-	-	-	-
20	-	79	98	121	147	178	-	-	-
30	-	78	97	119	145	175	209	250	-
40	-	76	95	117	143	172	206	246	-
50	-	-	-	115	141	170	204	243	-
60	-	-	-	-	138	168	201	240	-
65	-	-	-	-	-	-	-	-	-

Coefficient of performance (C.O.P.)

5	-	-	-	-	-	-	-	-	-
15	-	2.57	3.21	4.05	5.21	-	-	-	-
20	-	2.27	2.80	3.49	4.40	5.63	-	-	-
30	-	1.76	2.15	2.64	3.24	4.02	5.03	6.39	-
40	-	1.32	1.63	1.99	2.42	2.95	3.61	4.45	-
50	-	-	-	1.46	1.78	2.16	2.62	3.18	-
60	-	-	-	-	1.27	1.55	1.88	2.27	-
65	-	-	-	-	-	-	-	-	-

Nominal performance at to = -10 °C, tc = 45 °C

Cooling capacity	4 636	W
Power input	2 706	W
Current consumption	4.00	A
Mass flow	116	kg/h
C.O.P.	1.71	

Pressure switch settings

Maximum HP switch setting	27.4	bar(g)
Minimum LP switch setting	0.8	bar(g)
LP pump down setting	1.1	bar(g)

Sound power data

Sound power level		dB(A)
With acoustic hood		dB(A)

to: Evaporating temperature at dew point

tc: Condensing temperature at dew point

Rating conditions : Superheat = 10 K , Subcooling = 0 K

Tolerance according EN12900

Danfoss can accept no responsibility for possible errors in catalogues, brochures and other printed material. Danfoss reserves the right to alter its products without notice. This also applies to products already on order provided that such alternations can be made without subsequential changes being necessary in specifications already agreed. All trademarks in this material are property of the respective companies. Danfoss and the Danfoss logotype are trademarks of Danfoss A/S. All rights reserved.

Performance data at 90 Hz, EN 12900 rating conditions, Suction temp. = 20 °C

R448A

Cond. temp. in °C (tc)	Evaporating temperature in °C (to)								
	-30	-20	-15	-10	-5	0	5	10	20

Cooling capacity in W

5	-	-	-	-	-	-	-	-	-
15	-	4 111	5 166	6 439	7 961	-	-	-	-
20	-	3 934	4 943	6 157	7 606	9 323	-	-	-
30	-	3 580	4 503	5 603	6 909	8 454	10 270	12 398	-
40	-	-	4 052	5 043	6 211	7 588	9 204	11 095	-
50	-	-	-	4 453	5 489	6 703	8 123	9 781	-
60	-	-	-	-	-	5 775	7 004	8 432	-
65	-	-	-	-	-	-	-	-	-

Power input in W

5	-	-	-	-	-	-	-	-	-
15	-	1 598	1 613	1 594	1 535	-	-	-	-
20	-	1 726	1 759	1 763	1 731	1 659	-	-	-
30	-	2 007	2 067	2 107	2 120	2 100	2 042	1 939	-
40	-	-	2 428	2 489	2 533	2 552	2 542	2 495	-
50	-	-	-	2 947	3 008	3 053	3 076	3 073	-
60	-	-	-	-	-	3 639	3 683	3 708	-
65	-	-	-	-	-	-	-	-	-

Current consumption in A

5	-	-	-	-	-	-	-	-	-
15	-	2.63	2.64	2.58	2.46	-	-	-	-
20	-	2.80	2.84	2.82	2.75	2.63	-	-	-
30	-	3.13	3.22	3.26	3.26	3.22	3.14	3.03	-
40	-	-	3.66	3.73	3.77	3.78	3.77	3.73	-
50	-	-	-	4.31	4.36	4.39	4.41	4.42	-
60	-	-	-	-	-	5.15	5.18	5.20	-
65	-	-	-	-	-	-	-	-	-

Mass flow in kg/h

5	-	-	-	-	-	-	-	-	-
15	-	70	88	111	138	-	-	-	-
20	-	70	88	110	137	169	-	-	-
30	-	68	86	108	134	166	204	250	-
40	-	-	85	107	133	164	201	246	-
50	-	-	-	105	131	162	198	243	-
60	-	-	-	-	-	159	196	240	-
65	-	-	-	-	-	-	-	-	-

Coefficient of performance (C.O.P.)

5	-	-	-	-	-	-	-	-	-
15	-	2.57	3.20	4.04	5.19	-	-	-	-
20	-	2.28	2.81	3.49	4.39	5.62	-	-	-
30	-	1.78	2.18	2.66	3.26	4.03	5.03	6.39	-
40	-	-	1.67	2.03	2.45	2.97	3.62	4.45	-
50	-	-	-	1.51	1.83	2.20	2.64	3.18	-
60	-	-	-	-	-	1.59	1.90	2.27	-
65	-	-	-	-	-	-	-	-	-

Nominal performance at to = -10 °C, tc = 45 °C

Cooling capacity	4 753	W
Power input	2 706	W
Current consumption	4.00	A
Mass flow	106	kg/h
C.O.P.	1.76	

Pressure switch settings

Maximum HP switch setting	27.4	bar(g)
Minimum LP switch setting	0.8	bar(g)
LP pump down setting	1.1	bar(g)

Sound power data

Sound power level		dB(A)
With acoustic hood		dB(A)

to: Evaporating temperature at dew point

tc: Condensing temperature at dew point

Rating conditions : Suction gas temp. = 20 °C , Subcooling = 0 K

Tolerance according EN12900

Danfoss can accept no responsibility for possible errors in catalogues, brochures and other printed material. Danfoss reserves the right to alter its products without notice. This also applies to products already on order provided that such alternations can be made without subsequential changes being necessary in specifications already agreed. All trademarks in this material are property of the respective companies. Danfoss and the Danfoss logotype are trademarks of Danfoss A/S. All rights reserved.

Performance data at 95 Hz, EN 12900 rating conditions

R448A

Cond. temp. in °C (tc)	Evaporating temperature in °C (to)							
	-30	-20	-15	-10	-5	0	5	10

Cooling capacity in W

5	-	-	-	-	-	-	-	-	-
15	-	4 328	5 446	6 798	8 419	-	-	-	-
20	-	4 118	5 184	6 471	8 012	9 840	-	-	-
30	-	3 706	4 675	5 836	7 224	8 870	10 810	13 075	-
40	-	3 279	4 159	5 204	6 446	7 919	9 656	11 691	-
50	-	-	-	4 543	5 648	6 956	8 499	10 312	-
60	-	-	-	-	4 802	5 952	7 310	8 909	-
65	-	-	-	-	-	-	-	-	-

Power input in W

5	-	-	-	-	-	-	-	-	-
15	-	1 720	1 742	1 728	1 673	-	-	-	-
20	-	1 853	1 894	1 904	1 877	1 807	-	-	-
30	-	2 145	2 214	2 261	2 280	2 264	2 208	2 105	-
40	-	2 505	2 588	2 658	2 708	2 733	2 725	2 679	-
50	-	-	-	3 133	3 201	3 251	3 278	3 276	-
60	-	-	-	-	3 794	3 857	3 905	3 932	-
65	-	-	-	-	-	-	-	-	-

Current consumption in A

5	-	-	-	-	-	-	-	-	-
15	-	2.77	2.78	2.74	2.66	-	-	-	-
20	-	2.95	2.98	2.98	2.94	2.85	-	-	-
30	-	3.30	3.38	3.43	3.45	3.43	3.36	3.26	-
40	-	3.71	3.83	3.92	3.97	4.00	3.99	3.95	-
50	-	-	-	4.50	4.59	4.64	4.67	4.67	-
60	-	-	-	-	5.36	5.43	5.48	5.51	-
65	-	-	-	-	-	-	-	-	-

Mass flow in kg/h

5	-	-	-	-	-	-	-	-	-
15	-	84	104	128	156	-	-	-	-
20	-	83	103	127	154	187	-	-	-
30	-	82	102	125	152	184	221	263	-
40	-	81	100	123	150	181	217	259	-
50	-	-	-	121	148	179	215	256	-
60	-	-	-	-	146	177	212	253	-
65	-	-	-	-	-	-	-	-	-

Coefficient of performance (C.O.P.)

5	-	-	-	-	-	-	-	-	-
15	-	2.52	3.13	3.93	5.03	-	-	-	-
20	-	2.22	2.74	3.40	4.27	5.44	-	-	-
30	-	1.73	2.11	2.58	3.17	3.92	4.90	6.21	-
40	-	1.31	1.61	1.96	2.38	2.90	3.54	4.36	-
50	-	-	-	1.45	1.76	2.14	2.59	3.15	-
60	-	-	-	-	1.27	1.54	1.87	2.27	-
65	-	-	-	-	-	-	-	-	-

Nominal performance at to = -10 °C, tc = 45 °C

Cooling capacity	4 879	W
Power input	2 884	W
Current consumption	4.19	A
Mass flow	122	kg/h
C.O.P.	1.69	

Pressure switch settings

Maximum HP switch setting	27.4	bar(g)
Minimum LP switch setting	0.8	bar(g)
LP pump down setting	1.1	bar(g)

Sound power data

Sound power level		dB(A)
With acoustic hood		dB(A)

to: Evaporating temperature at dew point

tc: Condensing temperature at dew point

Rating conditions : Superheat = 10 K , Subcooling = 0 K

Tolerance according EN12900

Danfoss can accept no responsibility for possible errors in catalogues, brochures and other printed material. Danfoss reserves the right to alter its products without notice. This also applies to products already on order provided that such alternations can be made without subsequential changes being necessary in specifications already agreed. All trademarks in this material are property of the respective companies. Danfoss and the Danfoss logotype are trademarks of Danfoss A/S. All rights reserved.

Performance data at 95 Hz, EN 12900 rating conditions, Suction temp. = 20 °C

R448A

Cond. temp. in °C (tc)	Evaporating temperature in °C (to)								
	-30	-20	-15	-10	-5	0	5	10	20

Cooling capacity in W

5	-	-	-	-	-	-	-	-	-
15	-	4 324	5 434	6 776	8 387	-	-	-	-
20	-	4 136	5 195	6 472	8 003	9 822	-	-	-
30	-	3 766	4 732	5 886	7 260	8 891	10 815	13 075	-
40	-	-	4 264	5 302	6 529	7 980	9 688	11 691	-
50	-	-	-	4 692	5 781	7 059	8 558	10 312	-
60	-	-	-	-	-	6 100	7 397	8 909	-
65	-	-	-	-	-	-	-	-	-

Power input in W

5	-	-	-	-	-	-	-	-	-
15	-	1 720	1 742	1 728	1 673	-	-	-	-
20	-	1 853	1 894	1 904	1 877	1 807	-	-	-
30	-	2 145	2 214	2 261	2 280	2 264	2 208	2 105	-
40	-	-	2 588	2 658	2 708	2 733	2 725	2 679	-
50	-	-	-	3 133	3 201	3 251	3 278	3 276	-
60	-	-	-	-	-	3 857	3 905	3 932	-
65	-	-	-	-	-	-	-	-	-

Current consumption in A

5	-	-	-	-	-	-	-	-	-
15	-	2.77	2.78	2.74	2.66	-	-	-	-
20	-	2.95	2.98	2.98	2.94	2.85	-	-	-
30	-	3.30	3.38	3.43	3.45	3.43	3.36	3.26	-
40	-	-	3.83	3.92	3.97	4.00	3.99	3.95	-
50	-	-	-	4.50	4.59	4.64	4.67	4.67	-
60	-	-	-	-	-	5.43	5.48	5.51	-
65	-	-	-	-	-	-	-	-	-

Mass flow in kg/h

5	-	-	-	-	-	-	-	-	-
15	-	74	93	117	145	-	-	-	-
20	-	73	92	115	144	178	-	-	-
30	-	72	91	114	141	175	215	263	-
40	-	-	90	112	139	172	212	259	-
50	-	-	-	111	138	170	209	256	-
60	-	-	-	-	-	168	207	253	-
65	-	-	-	-	-	-	-	-	-

Coefficient of performance (C.O.P.)

5	-	-	-	-	-	-	-	-	-
15	-	2.51	3.12	3.92	5.01	-	-	-	-
20	-	2.23	2.74	3.40	4.26	5.43	-	-	-
30	-	1.76	2.14	2.60	3.18	3.93	4.90	6.21	-
40	-	-	1.65	1.99	2.41	2.92	3.56	4.36	-
50	-	-	-	1.50	1.81	2.17	2.61	3.15	-
60	-	-	-	-	-	1.58	1.89	2.27	-
65	-	-	-	-	-	-	-	-	-

Nominal performance at to = -10 °C, tc = 45 °C

Cooling capacity	5 002	W
Power input	2 884	W
Current consumption	4.19	A
Mass flow	111	kg/h
C.O.P.	1.73	

Pressure switch settings

Maximum HP switch setting	27.4	bar(g)
Minimum LP switch setting	0.8	bar(g)
LP pump down setting	1.1	bar(g)

Sound power data

Sound power level		dB(A)
With acoustic hood		dB(A)

to: Evaporating temperature at dew point

tc: Condensing temperature at dew point

Rating conditions : Suction gas temp. = 20 °C , Subcooling = 0 K

Tolerance according EN12900

Danfoss can accept no responsibility for possible errors in catalogues, brochures and other printed material. Danfoss reserves the right to alter its products without notice. This also applies to products already on order provided that such alternations can be made without subsequential changes being necessary in specifications already agreed. All trademarks in this material are property of the respective companies. Danfoss and the Danfoss logotype are trademarks of Danfoss A/S. All rights reserved.

Performance data at 100 Hz, EN 12900 rating conditions

R448A

Cond. temp. in °C (tc)	Evaporating temperature in °C (to)							
	-30	-20	-15	-10	-5	0	5	10

Cooling capacity in W

5	-	-	-	-	-	-	-	-	-
15	-	4 539	5 710	7 133	8 843	-	-	-	-
20	-	4 316	5 432	6 782	8 405	10 336	-	-	-
30	-	3 886	4 897	6 112	7 568	9 302	11 350	13 749	-
40	-	3 444	4 363	5 454	6 755	8 303	10 133	12 284	-
50	-	-	-	4 773	5 931	7 303	8 928	10 841	-
60	-	-	-	-	5 059	6 268	7 698	9 386	-
65	-	-	-	-	-	-	-	-	-

Power input in W

5	-	-	-	-	-	-	-	-	-
15	-	1 847	1 876	1 869	1 819	-	-	-	-
20	-	1 985	2 033	2 050	2 029	1 964	-	-	-
30	-	2 288	2 366	2 421	2 446	2 434	2 381	2 279	-
40	-	2 658	2 753	2 832	2 889	2 919	2 914	2 869	-
50	-	-	-	3 321	3 397	3 454	3 485	3 483	-
60	-	-	-	-	4 008	4 078	4 130	4 159	-
65	-	-	-	-	-	-	-	-	-

Current consumption in A

5	-	-	-	-	-	-	-	-	-
15	-	2.91	2.92	2.91	2.87	-	-	-	-
20	-	3.10	3.13	3.14	3.13	3.08	-	-	-
30	-	3.46	3.55	3.61	3.64	3.63	3.59	3.50	-
40	-	3.86	4.00	4.11	4.18	4.22	4.22	4.17	-
50	-	-	-	4.69	4.82	4.90	4.94	4.93	-
60	-	-	-	-	5.59	5.72	5.80	5.83	-
65	-	-	-	-	-	-	-	-	-

Mass flow in kg/h

5	-	-	-	-	-	-	-	-	-
15	-	88	109	134	164	-	-	-	-
20	-	87	108	133	162	197	-	-	-
30	-	86	107	131	159	193	232	277	-
40	-	85	105	129	157	190	228	272	-
50	-	-	-	128	155	188	225	269	-
60	-	-	-	-	154	186	224	267	-
65	-	-	-	-	-	-	-	-	-

Coefficient of performance (C.O.P.)

5	-	-	-	-	-	-	-	-	-
15	-	2.46	3.04	3.82	4.86	-	-	-	-
20	-	2.17	2.67	3.31	4.14	5.26	-	-	-
30	-	1.70	2.07	2.52	3.09	3.82	4.77	6.03	-
40	-	1.30	1.58	1.93	2.34	2.84	3.48	4.28	-
50	-	-	-	1.44	1.75	2.11	2.56	3.11	-
60	-	-	-	-	1.26	1.54	1.86	2.26	-
65	-	-	-	-	-	-	-	-	-

Nominal performance at to = -10 °C, tc = 45 °C

Cooling capacity	5 119	W
Power input	3 064	W
Current consumption	4.39	A
Mass flow	128	kg/h
C.O.P.	1.67	

Pressure switch settings

Maximum HP switch setting	27.4	bar(g)
Minimum LP switch setting	0.8	bar(g)
LP pump down setting	1.1	bar(g)

Sound power data

Sound power level		dB(A)
With acoustic hood		dB(A)

to: Evaporating temperature at dew point

tc: Condensing temperature at dew point

Rating conditions : Superheat = 10 K , Subcooling = 0 K

Tolerance according EN12900

Danfoss can accept no responsibility for possible errors in catalogues, brochures and other printed material. Danfoss reserves the right to alter its products without notice. This also applies to products already on order provided that such alternations can be made without subsequential changes being necessary in specifications already agreed. All trademarks in this material are property of the respective companies. Danfoss and the Danfoss logotype are trademarks of Danfoss A/S. All rights reserved.

Performance data at 100 Hz, EN 12900 rating conditions, Suction temp. = 20 °C
R448A

Cond. temp. in °C (tc)	Evaporating temperature in °C (to)								
	-30	-20	-15	-10	-5	0	5	10	20

Cooling capacity in W

5	-	-	-	-	-	-	-	-	-
15	-	4 534	5 698	7 110	8 810	-	-	-	-
20	-	4 334	5 443	6 784	8 395	10 317	-	-	-
30	-	3 949	4 957	6 164	7 607	9 324	11 356	13 749	-
40	-	-	4 473	5 557	6 843	8 367	10 166	12 284	-
50	-	-	-	4 929	6 069	7 411	8 989	10 841	-
60	-	-	-	-	-	6 424	7 790	9 386	-
65	-	-	-	-	-	-	-	-	-

Power input in W

5	-	-	-	-	-	-	-	-	-
15	-	1 847	1 876	1 869	1 819	-	-	-	-
20	-	1 985	2 033	2 050	2 029	1 964	-	-	-
30	-	2 288	2 366	2 421	2 446	2 434	2 381	2 279	-
40	-	-	2 753	2 832	2 889	2 919	2 914	2 869	-
50	-	-	-	3 321	3 397	3 454	3 485	3 483	-
60	-	-	-	-	-	4 078	4 130	4 159	-
65	-	-	-	-	-	-	-	-	-

Current consumption in A

5	-	-	-	-	-	-	-	-	-
15	-	2.91	2.92	2.91	2.87	-	-	-	-
20	-	3.10	3.13	3.14	3.13	3.08	-	-	-
30	-	3.46	3.55	3.61	3.64	3.63	3.59	3.50	-
40	-	-	4.00	4.11	4.18	4.22	4.22	4.17	-
50	-	-	-	4.69	4.82	4.90	4.94	4.93	-
60	-	-	-	-	-	5.72	5.80	5.83	-
65	-	-	-	-	-	-	-	-	-

Mass flow in kg/h

5	-	-	-	-	-	-	-	-	-
15	-	77	98	122	153	-	-	-	-
20	-	77	97	121	151	187	-	-	-
30	-	75	95	119	148	183	226	277	-
40	-	-	94	118	146	180	222	272	-
50	-	-	-	116	145	179	220	269	-
60	-	-	-	-	-	177	218	267	-
65	-	-	-	-	-	-	-	-	-

Coefficient of performance (C.O.P.)

5	-	-	-	-	-	-	-	-	-
15	-	2.46	3.04	3.80	4.84	-	-	-	-
20	-	2.18	2.68	3.31	4.14	5.25	-	-	-
30	-	1.73	2.09	2.55	3.11	3.83	4.77	6.03	-
40	-	-	1.62	1.96	2.37	2.87	3.49	4.28	-
50	-	-	-	1.48	1.79	2.15	2.58	3.11	-
60	-	-	-	-	-	1.58	1.89	2.26	-
65	-	-	-	-	-	-	-	-	-

Nominal performance at to = -10 °C, tc = 45 °C

Cooling capacity	5 248	W
Power input	3 064	W
Current consumption	4.39	A
Mass flow	117	kg/h
C.O.P.	1.71	

Pressure switch settings

Maximum HP switch setting	27.4	bar(g)
Minimum LP switch setting	0.8	bar(g)
LP pump down setting	1.1	bar(g)

Sound power data

Sound power level		dB(A)
With acoustic hood		dB(A)

to: Evaporating temperature at dew point

tc: Condensing temperature at dew point

Rating conditions : Suction gas temp. = 20 °C , Subcooling = 0 K

Tolerance according EN12900

Danfoss can accept no responsibility for possible errors in catalogues, brochures and other printed material. Danfoss reserves the right to alter its products without notice. This also applies to products already on order provided that such alternations can be made without subsequential changes being necessary in specifications already agreed. All trademarks in this material are property of the respective companies. Danfoss and the Danfoss logotype are trademarks of Danfoss A/S. All rights reserved.

Performance data at 30 Hz, EN 12900 rating conditions

R449A

Cond. temp. in °C (tc)	Evaporating temperature in °C (to)							
	-25	-20	-15	-10	-5	0	5	10

Cooling capacity in W

5	-	-	-	-	-	-	-	-	-
15	1 044	1 342	1 699	2 124	2 625	-	-	-	-
20	985	1 273	1 619	2 030	2 513	3 077	-	-	-
30	-	1 128	1 448	1 827	2 273	2 793	3 397	4 090	-
40	-	-	1 262	1 605	2 010	2 484	3 034	3 669	-
50	-	-	-	-	-	-	-	-	-
55	-	-	-	-	-	-	-	-	-
60	-	-	-	-	-	-	-	-	-

Power input in W

5	-	-	-	-	-	-	-	-	-
15	483	494	499	495	480	-	-	-	-
20	523	536	546	548	540	519	-	-	-
30	-	640	652	661	664	659	641	610	-
40	-	-	793	803	810	813	808	792	-
50	-	-	-	-	-	-	-	-	-
55	-	-	-	-	-	-	-	-	-
60	-	-	-	-	-	-	-	-	-

Current consumption in A

5	-	-	-	-	-	-	-	-	-
15	1.14	1.09	1.07	1.05	1.03	-	-	-	-
20	1.21	1.16	1.14	1.14	1.13	1.11	-	-	-
30	-	1.32	1.31	1.31	1.33	1.33	1.30	1.23	-
40	-	-	1.51	1.52	1.54	1.56	1.55	1.51	-
50	-	-	-	-	-	-	-	-	-
55	-	-	-	-	-	-	-	-	-
60	-	-	-	-	-	-	-	-	-

Mass flow in kg/h

5	-	-	-	-	-	-	-	-	-
15	21	27	33	41	50	-	-	-	-
20	21	26	33	40	49	60	-	-	-
30	-	26	32	40	49	59	71	84	-
40	-	-	31	39	48	58	70	83	-
50	-	-	-	-	-	-	-	-	-
55	-	-	-	-	-	-	-	-	-
60	-	-	-	-	-	-	-	-	-

Coefficient of performance (C.O.P.)

5	-	-	-	-	-	-	-	-	-
15	2.16	2.72	3.40	4.29	5.47	-	-	-	-
20	1.88	2.37	2.97	3.71	4.66	5.92	-	-	-
30	-	1.76	2.22	2.76	3.42	4.24	5.30	6.70	-
40	-	-	1.59	2.00	2.48	3.06	3.76	4.63	-
50	-	-	-	-	-	-	-	-	-
55	-	-	-	-	-	-	-	-	-
60	-	-	-	-	-	-	-	-	-

Nominal performance at to = -10 °C, tc = 45 °C

Cooling capacity	-	W
Power input	-	W
Current consumption	-	A
Mass flow	-	kg/h
C.O.P.	-	

Pressure switch settings

Maximum HP switch setting	27.4	bar(g)
Minimum LP switch setting	0.8	bar(g)
LP pump down setting	1.1	bar(g)

Sound power data

Sound power level		dB(A)
With acoustic hood		dB(A)

to: Evaporating temperature at dew point

tc: Condensing temperature at dew point

Rating conditions : Superheat = 10 K , Subcooling = 0 K

Tolerance according EN12900

Danfoss can accept no responsibility for possible errors in catalogues, brochures and other printed material. Danfoss reserves the right to alter its products without notice. This also applies to products already on order provided that such alternations can be made without subsequential changes being necessary in specifications already agreed. All trademarks in this material are property of the respective companies. Danfoss and the Danfoss logotype are trademarks of Danfoss A/S. All rights reserved.

Performance data at 30 Hz, EN 12900 rating conditions, Suction temp. = 20 °C

R449A

Cond. temp. in °C (tc)	Evaporating temperature in °C (to)								
	-25	-20	-15	-10	-5	0	5	10	20

Cooling capacity in W

5	-	-	-	-	-	-	-	-	-
15	1 047	1 343	1 698	2 120	2 617	-	-	-	-
20	993	1 281	1 625	2 033	2 512	3 073	-	-	-
30	-	1 149	1 468	1 844	2 286	2 802	3 399	4 090	-
40	-	-	1 297	1 638	2 038	2 505	3 045	3 669	-
50	-	-	-	-	-	-	-	-	-
55	-	-	-	-	-	-	-	-	-
60	-	-	-	-	-	-	-	-	-

Power input in W

5	-	-	-	-	-	-	-	-	-
15	483	494	499	495	480	-	-	-	-
20	523	536	546	548	540	519	-	-	-
30	-	640	652	661	664	659	641	610	-
40	-	-	793	803	810	813	808	792	-
50	-	-	-	-	-	-	-	-	-
55	-	-	-	-	-	-	-	-	-
60	-	-	-	-	-	-	-	-	-

Current consumption in A

5	-	-	-	-	-	-	-	-	-
15	1.14	1.09	1.07	1.05	1.03	-	-	-	-
20	1.21	1.16	1.14	1.14	1.13	1.11	-	-	-
30	-	1.32	1.31	1.31	1.33	1.33	1.30	1.23	-
40	-	-	1.51	1.52	1.54	1.56	1.55	1.51	-
50	-	-	-	-	-	-	-	-	-
55	-	-	-	-	-	-	-	-	-
60	-	-	-	-	-	-	-	-	-

Mass flow in kg/h

5	-	-	-	-	-	-	-	-	-
15	18	23	30	37	46	-	-	-	-
20	18	23	29	37	46	57	-	-	-
30	-	22	29	36	45	56	69	84	-
40	-	-	28	35	44	55	68	83	-
50	-	-	-	-	-	-	-	-	-
55	-	-	-	-	-	-	-	-	-
60	-	-	-	-	-	-	-	-	-

Coefficient of performance (C.O.P.)

5	-	-	-	-	-	-	-	-	-
15	2.17	2.72	3.40	4.28	5.45	-	-	-	-
20	1.90	2.39	2.98	3.71	4.66	5.92	-	-	-
30	-	1.80	2.25	2.79	3.44	4.25	5.30	6.70	-
40	-	-	1.64	2.04	2.52	3.08	3.77	4.63	-
50	-	-	-	-	-	-	-	-	-
55	-	-	-	-	-	-	-	-	-
60	-	-	-	-	-	-	-	-	-

Nominal performance at to = -10 °C, tc = 45 °C

Cooling capacity	-	W
Power input	-	W
Current consumption	-	A
Mass flow	-	kg/h
C.O.P.	-	

Pressure switch settings

Maximum HP switch setting	27.4	bar(g)
Minimum LP switch setting	0.8	bar(g)
LP pump down setting	1.1	bar(g)

Sound power data

Sound power level		dB(A)
With acoustic hood		dB(A)

to: Evaporating temperature at dew point

tc: Condensing temperature at dew point

Rating conditions : Suction gas temp. = 20 °C , Subcooling = 0 K

Tolerance according EN12900

Danfoss can accept no responsibility for possible errors in catalogues, brochures and other printed material. Danfoss reserves the right to alter its products without notice. This also applies to products already on order provided that such alternations can be made without subsequential changes being necessary in specifications already agreed. All trademarks in this material are property of the respective companies. Danfoss and the Danfoss logotype are trademarks of Danfoss A/S. All rights reserved.

Performance data at 35 Hz, EN 12900 rating conditions

R449A

Cond. temp. in °C (tc)	Evaporating temperature in °C (to)							
	-25	-20	-15	-10	-5	0	5	10

Cooling capacity in W

5	-	-	-	-	-	-	-	-	-
15	1 238	1 588	2 008	2 505	3 089	-	-	-	-
20	1 170	1 510	1 916	2 397	2 962	3 618	-	-	-
30	-	1 342	1 718	2 163	2 685	3 292	3 992	4 795	-
40	-	-	1 502	1 905	2 378	2 931	3 571	4 307	-
50	-	-	-	-	-	-	-	-	-
55	-	-	-	-	-	-	-	-	-
60	-	-	-	-	-	-	-	-	-

Power input in W

5	-	-	-	-	-	-	-	-	-
15	551	561	562	551	525	-	-	-	-
20	598	612	618	616	600	569	-	-	-
30	-	733	745	753	753	742	716	674	-
40	-	-	909	919	927	928	919	899	-
50	-	-	-	-	-	-	-	-	-
55	-	-	-	-	-	-	-	-	-
60	-	-	-	-	-	-	-	-	-

Current consumption in A

5	-	-	-	-	-	-	-	-	-
15	1.23	1.21	1.19	1.15	1.08	-	-	-	-
20	1.30	1.29	1.28	1.26	1.23	1.15	-	-	-
30	-	1.46	1.46	1.47	1.47	1.45	1.40	1.31	-
40	-	-	1.70	1.70	1.71	1.71	1.70	1.67	-
50	-	-	-	-	-	-	-	-	-
55	-	-	-	-	-	-	-	-	-
60	-	-	-	-	-	-	-	-	-

Mass flow in kg/h

5	-	-	-	-	-	-	-	-	-
15	25	31	39	48	58	-	-	-	-
20	25	31	39	48	58	70	-	-	-
30	-	30	38	47	58	69	83	98	-
40	-	-	37	46	56	68	82	97	-
50	-	-	-	-	-	-	-	-	-
55	-	-	-	-	-	-	-	-	-
60	-	-	-	-	-	-	-	-	-

Coefficient of performance (C.O.P.)

5	-	-	-	-	-	-	-	-	-
15	2.25	2.83	3.57	4.55	5.88	-	-	-	-
20	1.95	2.47	3.10	3.89	4.94	6.36	-	-	-
30	-	1.83	2.31	2.87	3.57	4.44	5.57	7.12	-
40	-	-	1.65	2.07	2.57	3.16	3.88	4.79	-
50	-	-	-	-	-	-	-	-	-
55	-	-	-	-	-	-	-	-	-
60	-	-	-	-	-	-	-	-	-

Nominal performance at to = -10 °C, tc = 45 °C

Cooling capacity	-	W
Power input	-	W
Current consumption	-	A
Mass flow	-	kg/h
C.O.P.	-	

Pressure switch settings

Maximum HP switch setting	27.4	bar(g)
Minimum LP switch setting	0.8	bar(g)
LP pump down setting	1.1	bar(g)

Sound power data

Sound power level	dB(A)
With acoustic hood	dB(A)

to: Evaporating temperature at dew point

tc: Condensing temperature at dew point

Rating conditions : Superheat = 10 K , Subcooling = 0 K

Tolerance according EN12900

Danfoss can accept no responsibility for possible errors in catalogues, brochures and other printed material. Danfoss reserves the right to alter its products without notice. This also applies to products already on order provided that such alternations can be made without subsequential changes being necessary in specifications already agreed. All trademarks in this material are property of the respective companies. Danfoss and the Danfoss logotype are trademarks of Danfoss A/S. All rights reserved.

Performance data at 35 Hz, EN 12900 rating conditions, Suction temp. = 20 °C

R449A

Cond. temp. in °C (tc)	Evaporating temperature in °C (to)								
	-25	-20	-15	-10	-5	0	5	10	20

Cooling capacity in W

5	-	-	-	-	-	-	-	-	-
15	1 241	1 589	2 006	2 499	3 079	-	-	-	-
20	1 180	1 519	1 923	2 401	2 961	3 613	-	-	-
30	-	1 367	1 742	2 184	2 701	3 301	3 996	4 795	-
40	-	-	1 543	1 944	2 412	2 956	3 584	4 307	-
50	-	-	-	-	-	-	-	-	-
55	-	-	-	-	-	-	-	-	-
60	-	-	-	-	-	-	-	-	-

Power input in W

5	-	-	-	-	-	-	-	-	-
15	551	561	562	551	525	-	-	-	-
20	598	612	618	616	600	569	-	-	-
30	-	733	745	753	753	742	716	674	-
40	-	-	909	919	927	928	919	899	-
50	-	-	-	-	-	-	-	-	-
55	-	-	-	-	-	-	-	-	-
60	-	-	-	-	-	-	-	-	-

Current consumption in A

5	-	-	-	-	-	-	-	-	-
15	1.23	1.21	1.19	1.15	1.08	-	-	-	-
20	1.30	1.29	1.28	1.26	1.23	1.15	-	-	-
30	-	1.46	1.46	1.47	1.47	1.45	1.40	1.31	-
40	-	-	1.70	1.70	1.71	1.71	1.70	1.67	-
50	-	-	-	-	-	-	-	-	-
55	-	-	-	-	-	-	-	-	-
60	-	-	-	-	-	-	-	-	-

Mass flow in kg/h

5	-	-	-	-	-	-	-	-	-
15	21	28	35	44	54	-	-	-	-
20	21	27	35	44	54	67	-	-	-
30	-	27	34	43	54	66	81	98	-
40	-	-	33	42	53	65	80	97	-
50	-	-	-	-	-	-	-	-	-
55	-	-	-	-	-	-	-	-	-
60	-	-	-	-	-	-	-	-	-

Coefficient of performance (C.O.P.)

5	-	-	-	-	-	-	-	-	-
15	2.25	2.83	3.57	4.54	5.86	-	-	-	-
20	1.97	2.48	3.11	3.90	4.93	6.35	-	-	-
30	-	1.86	2.34	2.90	3.59	4.45	5.58	7.12	-
40	-	-	1.70	2.11	2.60	3.19	3.90	4.79	-
50	-	-	-	-	-	-	-	-	-
55	-	-	-	-	-	-	-	-	-
60	-	-	-	-	-	-	-	-	-

Nominal performance at to = -10 °C, tc = 45 °C

Cooling capacity	-	W
Power input	-	W
Current consumption	-	A
Mass flow	-	kg/h
C.O.P.	-	

Pressure switch settings

Maximum HP switch setting	27.4	bar(g)
Minimum LP switch setting	0.8	bar(g)
LP pump down setting	1.1	bar(g)

Sound power data

Sound power level		dB(A)
With accoustic hood		dB(A)

to: Evaporating temperature at dew point

tc: Condensing temperature at dew point

Rating conditions : Suction gas temp. = 20 °C , Subcooling = 0 K

Tolerance according EN12900

Danfoss can accept no responsibility for possible errors in catalogues, brochures and other printed material. Danfoss reserves the right to alter its products without notice. This also applies to products already on order provided that such alternations can be made without subsequential changes being necessary in specifications already agreed. All trademarks in this material are property of the respective companies. Danfoss and the Danfoss logotype are trademarks of Danfoss A/S. All rights reserved.

Performance data at 40 Hz, EN 12900 rating conditions

R449A

Cond. temp. in °C (tc)	Evaporating temperature in °C (to)							
	-25	-20	-15	-10	-5	0	5	10

Cooling capacity in W

5	-	-	-	-	-	-	-	-	-
15	1 430	1 832	2 313	2 882	3 550	-	-	-	-
20	1 353	1 744	2 210	2 761	3 406	4 155	-	-	-
30	-	1 553	1 985	2 495	3 091	3 785	4 584	5 499	-
40	-	-	1 738	2 200	2 742	3 373	4 103	4 941	-
50	-	-	-	-	-	-	-	-	-
55	-	-	-	-	-	-	-	-	-
60	-	-	-	-	-	-	-	-	-

Power input in W

5	-	-	-	-	-	-	-	-	-
15	623	632	630	613	578	-	-	-	-
20	678	691	696	690	668	627	-	-	-
30	-	830	843	850	847	831	799	746	-
40	-	-	1 028	1 040	1 048	1 048	1 037	1 012	-
50	-	-	-	-	-	-	-	-	-
55	-	-	-	-	-	-	-	-	-
60	-	-	-	-	-	-	-	-	-

Current consumption in A

5	-	-	-	-	-	-	-	-	-
15	1.33	1.34	1.32	1.26	1.15	-	-	-	-
20	1.40	1.42	1.42	1.39	1.33	1.22	-	-	-
30	-	1.61	1.62	1.62	1.61	1.58	1.51	1.40	-
40	-	-	1.88	1.88	1.88	1.88	1.86	1.83	-
50	-	-	-	-	-	-	-	-	-
55	-	-	-	-	-	-	-	-	-
60	-	-	-	-	-	-	-	-	-

Mass flow in kg/h

5	-	-	-	-	-	-	-	-	-
15	29	36	45	55	67	-	-	-	-
20	28	36	45	55	67	80	-	-	-
30	-	35	44	54	66	80	95	113	-
40	-	-	43	53	65	79	94	112	-
50	-	-	-	-	-	-	-	-	-
55	-	-	-	-	-	-	-	-	-
60	-	-	-	-	-	-	-	-	-

Coefficient of performance (C.O.P.)

5	-	-	-	-	-	-	-	-	-
15	2.29	2.90	3.67	4.70	6.14	-	-	-	-
20	2.00	2.52	3.17	4.00	5.10	6.63	-	-	-
30	-	1.87	2.35	2.93	3.65	4.55	5.74	7.37	-
40	-	-	1.69	2.12	2.62	3.22	3.96	4.88	-
50	-	-	-	-	-	-	-	-	-
55	-	-	-	-	-	-	-	-	-
60	-	-	-	-	-	-	-	-	-

Nominal performance at to = -10 °C, tc = 45 °C

Cooling capacity	-	W
Power input	-	W
Current consumption	-	A
Mass flow	-	kg/h
C.O.P.	-	

Pressure switch settings

Maximum HP switch setting	27.4	bar(g)
Minimum LP switch setting	0.8	bar(g)
LP pump down setting	1.1	bar(g)

Sound power data

Sound power level		dB(A)
With acoustic hood		dB(A)

to: Evaporating temperature at dew point

tc: Condensing temperature at dew point

Rating conditions : Superheat = 10 K , Subcooling = 0 K

Tolerance according EN12900

Danfoss can accept no responsibility for possible errors in catalogues, brochures and other printed material. Danfoss reserves the right to alter its products without notice. This also applies to products already on order provided that such alternations can be made without subsequential changes being necessary in specifications already agreed. All trademarks in this material are property of the respective companies. Danfoss and the Danfoss logotype are trademarks of Danfoss A/S. All rights reserved.

Performance data at 40 Hz, EN 12900 rating conditions, Suction temp. = 20 °C

R449A

Cond. temp. in °C (tc)	Evaporating temperature in °C (to)								
	-25	-20	-15	-10	-5	0	5	10	20

Cooling capacity in W

5	-	-	-	-	-	-	-	-	-
15	1 434	1 833	2 311	2 876	3 539	-	-	-	-
20	1 365	1 754	2 217	2 764	3 405	4 150	-	-	-
30	-	1 582	2 013	2 519	3 110	3 796	4 588	5 499	-
40	-	-	1 786	2 245	2 781	3 402	4 118	4 941	-
50	-	-	-	-	-	-	-	-	-
55	-	-	-	-	-	-	-	-	-
60	-	-	-	-	-	-	-	-	-

Power input in W

5	-	-	-	-	-	-	-	-	-
15	623	632	630	613	578	-	-	-	-
20	678	691	696	690	668	627	-	-	-
30	-	830	843	850	847	831	799	746	-
40	-	-	1 028	1 040	1 048	1 048	1 037	1 012	-
50	-	-	-	-	-	-	-	-	-
55	-	-	-	-	-	-	-	-	-
60	-	-	-	-	-	-	-	-	-

Current consumption in A

5	-	-	-	-	-	-	-	-	-
15	1.33	1.34	1.32	1.26	1.15	-	-	-	-
20	1.40	1.42	1.42	1.39	1.33	1.22	-	-	-
30	-	1.61	1.62	1.62	1.61	1.58	1.51	1.40	-
40	-	-	1.88	1.88	1.88	1.88	1.86	1.83	-
50	-	-	-	-	-	-	-	-	-
55	-	-	-	-	-	-	-	-	-
60	-	-	-	-	-	-	-	-	-

Mass flow in kg/h

5	-	-	-	-	-	-	-	-	-
15	25	32	40	50	62	-	-	-	-
20	24	32	40	50	62	76	-	-	-
30	-	31	39	50	62	76	93	113	-
40	-	-	38	48	61	75	92	112	-
50	-	-	-	-	-	-	-	-	-
55	-	-	-	-	-	-	-	-	-
60	-	-	-	-	-	-	-	-	-

Coefficient of performance (C.O.P.)

5	-	-	-	-	-	-	-	-	-
15	2.30	2.90	3.67	4.69	6.12	-	-	-	-
20	2.01	2.54	3.18	4.01	5.10	6.62	-	-	-
30	-	1.91	2.39	2.96	3.67	4.57	5.74	7.37	-
40	-	-	1.74	2.16	2.65	3.25	3.97	4.88	-
50	-	-	-	-	-	-	-	-	-
55	-	-	-	-	-	-	-	-	-
60	-	-	-	-	-	-	-	-	-

Nominal performance at to = -10 °C, tc = 45 °C

Cooling capacity	-	W
Power input	-	W
Current consumption	-	A
Mass flow	-	kg/h
C.O.P.	-	

Pressure switch settings

Maximum HP switch setting	27.4	bar(g)
Minimum LP switch setting	0.8	bar(g)
LP pump down setting	1.1	bar(g)

Sound power data

Sound power level		dB(A)
With acoustic hood		dB(A)

to: Evaporating temperature at dew point

tc: Condensing temperature at dew point

Rating conditions : Suction gas temp. = 20 °C , Subcooling = 0 K

Tolerance according EN12900

Danfoss can accept no responsibility for possible errors in catalogues, brochures and other printed material. Danfoss reserves the right to alter its products without notice. This also applies to products already on order provided that such alternations can be made without subsequential changes being necessary in specifications already agreed. All trademarks in this material are property of the respective companies. Danfoss and the Danfoss logotype are trademarks of Danfoss A/S. All rights reserved.

Performance data at 45 Hz, EN 12900 rating conditions

R449A

Cond. temp. in °C (tc)	Evaporating temperature in °C (to)							
	-25	-20	-15	-10	-5	0	5	10

Cooling capacity in W

5	-	-	-	-	-	-	-	-	-
15	1 620	2 073	2 614	3 256	4 008	-	-	-	-
20	1 534	1 974	2 499	3 119	3 846	4 689	-	-	-
30	-	1 762	2 248	2 822	3 493	4 273	5 171	6 199	-
40	-	-	1 972	2 492	3 102	3 811	4 631	5 572	-
50	-	-	-	-	-	-	-	-	-
55	-	-	-	-	-	-	-	-	-
60	-	-	-	-	-	-	-	-	-

Power input in W

5	-	-	-	-	-	-	-	-	-
15	699	708	703	682	639	-	-	-	-
20	761	775	779	770	742	693	-	-	-
30	-	930	945	952	948	928	889	827	-
40	-	-	1 151	1 165	1 174	1 174	1 161	1 131	-
50	-	-	-	-	-	-	-	-	-
55	-	-	-	-	-	-	-	-	-
60	-	-	-	-	-	-	-	-	-

Current consumption in A

5	-	-	-	-	-	-	-	-	-
15	1.43	1.46	1.44	1.36	1.23	-	-	-	-
20	1.50	1.55	1.56	1.52	1.43	1.29	-	-	-
30	-	1.75	1.77	1.78	1.76	1.71	1.63	1.51	-
40	-	-	2.06	2.06	2.05	2.04	2.02	1.99	-
50	-	-	-	-	-	-	-	-	-
55	-	-	-	-	-	-	-	-	-
60	-	-	-	-	-	-	-	-	-

Mass flow in kg/h

5	-	-	-	-	-	-	-	-	-
15	33	41	51	62	76	-	-	-	-
20	32	41	51	62	76	91	-	-	-
30	-	40	50	62	75	90	108	127	-
40	-	-	49	60	74	89	106	126	-
50	-	-	-	-	-	-	-	-	-
55	-	-	-	-	-	-	-	-	-
60	-	-	-	-	-	-	-	-	-

Coefficient of performance (C.O.P.)

5	-	-	-	-	-	-	-	-	-
15	2.32	2.93	3.72	4.78	6.27	-	-	-	-
20	2.02	2.55	3.21	4.05	5.18	6.77	-	-	-
30	-	1.89	2.38	2.96	3.69	4.60	5.82	7.49	-
40	-	-	1.71	2.14	2.64	3.25	3.99	4.93	-
50	-	-	-	-	-	-	-	-	-
55	-	-	-	-	-	-	-	-	-
60	-	-	-	-	-	-	-	-	-

Nominal performance at to = -10 °C, tc = 45 °C

Cooling capacity	-	W
Power input	-	W
Current consumption	-	A
Mass flow	-	kg/h
C.O.P.	-	

Pressure switch settings

Maximum HP switch setting	27.4	bar(g)
Minimum LP switch setting	0.8	bar(g)
LP pump down setting	1.1	bar(g)

Sound power data

Sound power level		dB(A)
With acoustic hood		dB(A)

to: Evaporating temperature at dew point

tc: Condensing temperature at dew point

Rating conditions : Superheat = 10 K , Subcooling = 0 K

Tolerance according EN12900

Danfoss can accept no responsibility for possible errors in catalogues, brochures and other printed material. Danfoss reserves the right to alter its products without notice. This also applies to products already on order provided that such alternations can be made without subsequential changes being necessary in specifications already agreed. All trademarks in this material are property of the respective companies. Danfoss and the Danfoss logotype are trademarks of Danfoss A/S. All rights reserved.

Performance data at 45 Hz, EN 12900 rating conditions, Suction temp. = 20 °C

R449A

Cond. temp. in °C (tc)	Evaporating temperature in °C (to)								
	-25	-20	-15	-10	-5	0	5	10	20

Cooling capacity in W

5	-	-	-	-	-	-	-	-	-
15	1 624	2 074	2 612	3 249	3 995	-	-	-	-
20	1 548	1 986	2 508	3 124	3 845	4 683	-	-	-
30	-	1 795	2 280	2 849	3 514	4 285	5 176	6 199	-
40	-	-	2 026	2 543	3 145	3 843	4 648	5 572	-
50	-	-	-	-	-	-	-	-	-
55	-	-	-	-	-	-	-	-	-
60	-	-	-	-	-	-	-	-	-

Power input in W

5	-	-	-	-	-	-	-	-	-
15	699	708	703	682	639	-	-	-	-
20	761	775	779	770	742	693	-	-	-
30	-	930	945	952	948	928	889	827	-
40	-	-	1 151	1 165	1 174	1 174	1 161	1 131	-
50	-	-	-	-	-	-	-	-	-
55	-	-	-	-	-	-	-	-	-
60	-	-	-	-	-	-	-	-	-

Current consumption in A

5	-	-	-	-	-	-	-	-	-
15	1.43	1.46	1.44	1.36	1.23	-	-	-	-
20	1.50	1.55	1.56	1.52	1.43	1.29	-	-	-
30	-	1.75	1.77	1.78	1.76	1.71	1.63	1.51	-
40	-	-	2.06	2.06	2.05	2.04	2.02	1.99	-
50	-	-	-	-	-	-	-	-	-
55	-	-	-	-	-	-	-	-	-
60	-	-	-	-	-	-	-	-	-

Mass flow in kg/h

5	-	-	-	-	-	-	-	-	-
15	28	36	45	57	70	-	-	-	-
20	28	36	45	57	70	86	-	-	-
30	-	35	45	56	70	86	105	127	-
40	-	-	43	55	68	85	103	126	-
50	-	-	-	-	-	-	-	-	-
55	-	-	-	-	-	-	-	-	-
60	-	-	-	-	-	-	-	-	-

Coefficient of performance (C.O.P.)

5	-	-	-	-	-	-	-	-	-
15	2.32	2.93	3.71	4.77	6.25	-	-	-	-
20	2.03	2.56	3.22	4.06	5.18	6.76	-	-	-
30	-	1.93	2.41	2.99	3.71	4.62	5.82	7.49	-
40	-	-	1.76	2.18	2.68	3.27	4.00	4.93	-
50	-	-	-	-	-	-	-	-	-
55	-	-	-	-	-	-	-	-	-
60	-	-	-	-	-	-	-	-	-

Nominal performance at to = -10 °C, tc = 45 °C

Cooling capacity	-	W
Power input	-	W
Current consumption	-	A
Mass flow	-	kg/h
C.O.P.	-	

Pressure switch settings

Maximum HP switch setting	27.4	bar(g)
Minimum LP switch setting	0.8	bar(g)
LP pump down setting	1.1	bar(g)

Sound power data

Sound power level		dB(A)
With accoustic hood		dB(A)

to: Evaporating temperature at dew point

tc: Condensing temperature at dew point

Rating conditions : Suction gas temp. = 20 °C , Subcooling = 0 K

Tolerance according EN12900

Danfoss can accept no responsibility for possible errors in catalogues, brochures and other printed material. Danfoss reserves the right to alter its products without notice. This also applies to products already on order provided that such alternations can be made without subsequential changes being necessary in specifications already agreed. All trademarks in this material are property of the respective companies. Danfoss and the Danfoss logotype are trademarks of Danfoss A/S. All rights reserved.

Performance data at 50 Hz, EN 12900 rating conditions

R449A

Cond. temp. in °C (tc)	Evaporating temperature in °C (to)							
	-30	-20	-15	-10	-5	0	5	10

Cooling capacity in W

5	-	-	-	-	-	-	-	-	-
15	-	2 311	2 913	3 626	4 462	-	-	-	-
20	-	2 202	2 785	3 474	4 282	5 220	-	-	-
30	-	1 968	2 508	3 144	3 889	4 755	5 754	6 898	-
40	-	1 713	2 203	2 780	3 456	4 244	5 154	6 200	-
50	-	-	-	2 383	2 984	3 686	4 502	5 443	-
60	-	-	-	-	2 472	3 083	3 797	4 627	-
65	-	-	-	-	-	-	-	-	-

Power input in W

5	-	-	-	-	-	-	-	-	-
15	-	788	782	757	707	-	-	-	-
20	-	863	868	856	824	767	-	-	-
30	-	1 035	1 052	1 060	1 054	1 031	987	917	-
40	-	1 258	1 277	1 294	1 305	1 305	1 291	1 257	-
50	-	-	-	1 588	1 604	1 617	1 621	1 614	-
60	-	-	-	-	1 980	1 994	2 008	2 016	-
65	-	-	-	-	-	-	-	-	-

Current consumption in A

5	-	-	-	-	-	-	-	-	-
15	-	1.59	1.57	1.48	1.32	-	-	-	-
20	-	1.68	1.69	1.65	1.55	1.38	-	-	-
30	-	1.90	1.93	1.94	1.91	1.85	1.76	1.62	-
40	-	2.25	2.24	2.24	2.23	2.22	2.19	2.16	-
50	-	-	-	2.68	2.62	2.59	2.58	2.60	-
60	-	-	-	-	3.21	3.10	3.04	3.04	-
65	-	-	-	-	-	-	-	-	-

Mass flow in kg/h

5	-	-	-	-	-	-	-	-	-
15	-	46	57	69	84	-	-	-	-
20	-	45	56	69	84	101	-	-	-
30	-	44	56	69	83	100	120	141	-
40	-	43	54	67	82	99	118	140	-
50	-	-	-	65	80	97	116	138	-
60	-	-	-	-	77	94	113	134	-
65	-	-	-	-	-	-	-	-	-

Coefficient of performance (C.O.P.)

5	-	-	-	-	-	-	-	-	-
15	-	2.93	3.72	4.79	6.31	-	-	-	-
20	-	2.55	3.21	4.06	5.20	6.80	-	-	-
30	-	1.90	2.38	2.97	3.69	4.61	5.83	7.52	-
40	-	1.36	1.72	2.15	2.65	3.25	3.99	4.93	-
50	-	-	-	1.50	1.86	2.28	2.78	3.37	-
60	-	-	-	-	1.25	1.55	1.89	2.30	-
65	-	-	-	-	-	-	-	-	-

Nominal performance at to = -10 °C, tc = 45 °C

Cooling capacity	2 586	W
Power input	1 432	W
Current consumption	2.43	A
Mass flow	66	kg/h
C.O.P.	1.81	

Pressure switch settings

Maximum HP switch setting	27.4	bar(g)
Minimum LP switch setting	0.8	bar(g)
LP pump down setting	1.1	bar(g)

Sound power data

Sound power level		dB(A)
With acoustic hood		dB(A)

to: Evaporating temperature at dew point

tc: Condensing temperature at dew point

Rating conditions : Superheat = 10 K , Subcooling = 0 K

Tolerance according EN12900

Danfoss can accept no responsibility for possible errors in catalogues, brochures and other printed material. Danfoss reserves the right to alter its products without notice. This also applies to products already on order provided that such alternations can be made without subsequential changes being necessary in specifications already agreed. All trademarks in this material are property of the respective companies. Danfoss and the Danfoss logotype are trademarks of Danfoss A/S. All rights reserved.

Performance data at 50 Hz, EN 12900 rating conditions, Suction temp. = 20 °C

R449A

Cond. temp. in °C (tc)	Evaporating temperature in °C (to)							
	-30	-20	-15	-10	-5	0	5	10

Cooling capacity in W

5	-	-	-	-	-	-	-	-	-
15	-	2 312	2 910	3 618	4 449	-	-	-	-
20	-	2 215	2 795	3 479	4 280	5 213	-	-	-
30	-	2 004	2 543	3 175	3 913	4 770	5 759	6 898	-
40	-	-	2 263	2 837	3 505	4 280	5 173	6 200	-
50	-	-	-	2 466	3 058	3 744	4 535	5 443	-
60	-	-	-	-	-	3 163	3 845	4 627	-
65	-	-	-	-	-	-	-	-	-

Power input in W

5	-	-	-	-	-	-	-	-	-
15	-	788	782	757	707	-	-	-	-
20	-	863	868	856	824	767	-	-	-
30	-	1 035	1 052	1 060	1 054	1 031	987	917	-
40	-	-	1 277	1 294	1 305	1 305	1 291	1 257	-
50	-	-	-	1 588	1 604	1 617	1 621	1 614	-
60	-	-	-	-	-	1 994	2 008	2 016	-
65	-	-	-	-	-	-	-	-	-

Current consumption in A

5	-	-	-	-	-	-	-	-	-
15	-	1.59	1.57	1.48	1.32	-	-	-	-
20	-	1.68	1.69	1.65	1.55	1.38	-	-	-
30	-	1.90	1.93	1.94	1.91	1.85	1.76	1.62	-
40	-	-	2.24	2.24	2.23	2.22	2.19	2.16	-
50	-	-	-	2.68	2.62	2.59	2.58	2.60	-
60	-	-	-	-	-	3.10	3.04	3.04	-
65	-	-	-	-	-	-	-	-	-

Mass flow in kg/h

5	-	-	-	-	-	-	-	-	-
15	-	40	51	63	78	-	-	-	-
20	-	40	50	63	78	96	-	-	-
30	-	39	50	62	78	95	116	141	-
40	-	-	48	61	76	94	115	140	-
50	-	-	-	59	74	92	113	138	-
60	-	-	-	-	-	89	110	134	-
65	-	-	-	-	-	-	-	-	-

Coefficient of performance (C.O.P.)

5	-	-	-	-	-	-	-	-	-
15	-	2.93	3.72	4.78	6.29	-	-	-	-
20	-	2.57	3.22	4.06	5.20	6.79	-	-	-
30	-	1.94	2.42	3.00	3.71	4.62	5.84	7.52	-
40	-	-	1.77	2.19	2.69	3.28	4.01	4.93	-
50	-	-	-	1.55	1.91	2.32	2.80	3.37	-
60	-	-	-	-	-	1.59	1.92	2.30	-
65	-	-	-	-	-	-	-	-	-

Nominal performance at to = -10 °C, tc = 45 °C

Cooling capacity	2 656	W
Power input	1 432	W
Current consumption	2.43	A
Mass flow	60	kg/h
C.O.P.	1.85	

Pressure switch settings

Maximum HP switch setting	27.4	bar(g)
Minimum LP switch setting	0.8	bar(g)
LP pump down setting	1.1	bar(g)

Sound power data

Sound power level		dB(A)
With acoustic hood		dB(A)

to: Evaporating temperature at dew point

tc: Condensing temperature at dew point

Rating conditions : Suction gas temp. = 20 °C , Subcooling = 0 K

Tolerance according EN12900

Danfoss can accept no responsibility for possible errors in catalogues, brochures and other printed material. Danfoss reserves the right to alter its products without notice. This also applies to products already on order provided that such alternations can be made without subsequential changes being necessary in specifications already agreed. All trademarks in this material are property of the respective companies. Danfoss and the Danfoss logotype are trademarks of Danfoss A/S. All rights reserved.

Performance data at 55 Hz, EN 12900 rating conditions

R449A

Cond. temp. in °C (tc)	Evaporating temperature in °C (to)							
	-30	-20	-15	-10	-5	0	5	10

Cooling capacity in W

5	-	-	-	-	-	-	-	-	-
15	-	2 546	3 208	3 992	4 914	-	-	-	-
20	-	2 427	3 067	3 824	4 713	5 747	-	-	-
30	-	2 172	2 763	3 462	4 281	5 233	6 333	7 594	-
40	-	1 894	2 431	3 064	3 807	4 672	5 673	6 824	-
50	-	-	-	2 631	3 291	4 062	4 958	5 993	-
60	-	-	-	-	2 733	3 404	4 189	5 102	-
65	-	-	-	-	-	-	-	-	-

Power input in W

5	-	-	-	-	-	-	-	-	-
15	-	874	867	838	784	-	-	-	-
20	-	956	961	948	912	850	-	-	-
30	-	1 143	1 163	1 172	1 167	1 141	1 092	1 015	-
40	-	1 384	1 408	1 428	1 441	1 442	1 426	1 389	-
50	-	-	-	1 746	1 766	1 781	1 788	1 780	-
60	-	-	-	-	2 172	2 190	2 207	2 218	-
65	-	-	-	-	-	-	-	-	-

Current consumption in A

5	-	-	-	-	-	-	-	-	-
15	-	1.71	1.70	1.60	1.42	-	-	-	-
20	-	1.81	1.83	1.79	1.67	1.49	-	-	-
30	-	2.04	2.09	2.10	2.07	2.00	1.90	1.76	-
40	-	2.43	2.42	2.42	2.41	2.39	2.37	2.34	-
50	-	-	-	2.89	2.83	2.80	2.79	2.81	-
60	-	-	-	-	3.46	3.34	3.28	3.27	-
65	-	-	-	-	-	-	-	-	-

Mass flow in kg/h

5	-	-	-	-	-	-	-	-	-
15	-	50	62	76	93	-	-	-	-
20	-	50	62	76	93	111	-	-	-
30	-	49	61	75	92	110	132	156	-
40	-	48	60	74	90	109	130	154	-
50	-	-	-	72	88	107	128	152	-
60	-	-	-	-	85	104	125	148	-
65	-	-	-	-	-	-	-	-	-

Coefficient of performance (C.O.P.)

5	-	-	-	-	-	-	-	-	-
15	-	2.91	3.70	4.76	6.27	-	-	-	-
20	-	2.54	3.19	4.03	5.17	6.76	-	-	-
30	-	1.90	2.38	2.95	3.67	4.59	5.80	7.48	-
40	-	1.37	1.73	2.15	2.64	3.24	3.98	4.91	-
50	-	-	-	1.51	1.86	2.28	2.77	3.37	-
60	-	-	-	-	1.26	1.55	1.90	2.30	-
65	-	-	-	-	-	-	-	-	-

Nominal performance at to = -10 °C, tc = 45 °C

Cooling capacity	2 852	W
Power input	1 578	W
Current consumption	2.63	A
Mass flow	73	kg/h
C.O.P.	1.81	

Pressure switch settings

Maximum HP switch setting	27.4	bar(g)
Minimum LP switch setting	0.8	bar(g)
LP pump down setting	1.1	bar(g)

Sound power data

Sound power level		dB(A)
With acoustic hood		dB(A)

to: Evaporating temperature at dew point

tc: Condensing temperature at dew point

Rating conditions : Superheat = 10 K , Subcooling = 0 K

Tolerance according EN12900

Danfoss can accept no responsibility for possible errors in catalogues, brochures and other printed material. Danfoss reserves the right to alter its products without notice. This also applies to products already on order provided that such alternations can be made without subsequential changes being necessary in specifications already agreed. All trademarks in this material are property of the respective companies. Danfoss and the Danfoss logotype are trademarks of Danfoss A/S. All rights reserved.

Performance data at 55 Hz, EN 12900 rating conditions, Suction temp. = 20 °C

R449A

Cond. temp. in °C (tc)	Evaporating temperature in °C (to)							
	-30	-20	-15	-10	-5	0	5	10

Cooling capacity in W

5	-	-	-	-	-	-	-	-	-
15	-	2 548	3 205	3 984	4 899	-	-	-	-
20	-	2 441	3 077	3 829	4 712	5 739	-	-	-
30	-	2 212	2 802	3 496	4 307	5 249	6 338	7 594	-
40	-	-	2 498	3 127	3 861	4 711	5 694	6 824	-
50	-	-	-	2 723	3 373	4 126	4 995	5 993	-
60	-	-	-	-	-	3 493	4 242	5 102	-
65	-	-	-	-	-	-	-	-	-

Power input in W

5	-	-	-	-	-	-	-	-	-
15	-	874	867	838	784	-	-	-	-
20	-	956	961	948	912	850	-	-	-
30	-	1 143	1 163	1 172	1 167	1 141	1 092	1 015	-
40	-	-	1 408	1 428	1 441	1 442	1 426	1 389	-
50	-	-	-	1 746	1 766	1 781	1 788	1 780	-
60	-	-	-	-	-	2 190	2 207	2 218	-
65	-	-	-	-	-	-	-	-	-

Current consumption in A

5	-	-	-	-	-	-	-	-	-
15	-	1.71	1.70	1.60	1.42	-	-	-	-
20	-	1.81	1.83	1.79	1.67	1.49	-	-	-
30	-	2.04	2.09	2.10	2.07	2.00	1.90	1.76	-
40	-	-	2.42	2.42	2.41	2.39	2.37	2.34	-
50	-	-	-	2.89	2.83	2.80	2.79	2.81	-
60	-	-	-	-	-	3.34	3.28	3.27	-
65	-	-	-	-	-	-	-	-	-

Mass flow in kg/h

5	-	-	-	-	-	-	-	-	-
15	-	44	56	70	86	-	-	-	-
20	-	44	56	69	86	106	-	-	-
30	-	43	55	69	85	105	128	156	-
40	-	-	53	67	84	104	127	154	-
50	-	-	-	66	82	101	124	152	-
60	-	-	-	-	-	98	121	148	-
65	-	-	-	-	-	-	-	-	-

Coefficient of performance (C.O.P.)

5	-	-	-	-	-	-	-	-	-
15	-	2.92	3.70	4.75	6.25	-	-	-	-
20	-	2.55	3.20	4.04	5.16	6.75	-	-	-
30	-	1.94	2.41	2.98	3.69	4.60	5.80	7.48	-
40	-	-	1.77	2.19	2.68	3.27	3.99	4.91	-
50	-	-	-	1.56	1.91	2.32	2.79	3.37	-
60	-	-	-	-	-	1.59	1.92	2.30	-
65	-	-	-	-	-	-	-	-	-

Nominal performance at to = -10 °C, tc = 45 °C

Cooling capacity	2 930	W
Power input	1 578	W
Current consumption	2.63	A
Mass flow	67	kg/h
C.O.P.	1.86	

Pressure switch settings

Maximum HP switch setting	27.4	bar(g)
Minimum LP switch setting	0.8	bar(g)
LP pump down setting	1.1	bar(g)

Sound power data

Sound power level		dB(A)
With acoustic hood		dB(A)

to: Evaporating temperature at dew point

tc: Condensing temperature at dew point

Rating conditions : Suction gas temp. = 20 °C , Subcooling = 0 K

Tolerance according EN12900

Danfoss can accept no responsibility for possible errors in catalogues, brochures and other printed material. Danfoss reserves the right to alter its products without notice. This also applies to products already on order provided that such alternations can be made without subsequential changes being necessary in specifications already agreed. All trademarks in this material are property of the respective companies. Danfoss and the Danfoss logotype are trademarks of Danfoss A/S. All rights reserved.

Performance data at 60 Hz, EN 12900 rating conditions

R449A

Cond. temp. in °C (tc)	Evaporating temperature in °C (to)							
	-30	-20	-15	-10	-5	0	5	10

Cooling capacity in W

5	-	-	-	-	-	-	-	-	-
15	-	2 779	3 499	4 356	5 363	-	-	-	-
20	-	2 649	3 345	4 170	5 141	6 271	-	-	-
30	-	2 372	3 015	3 775	4 667	5 706	6 907	8 287	-
40	-	2 073	2 657	3 345	4 152	5 095	6 187	7 444	-
50	-	-	-	2 878	3 595	4 435	5 412	6 542	-
60	-	-	-	-	2 993	3 725	4 581	5 577	-
65	-	-	-	-	-	-	-	-	-

Power input in W

5	-	-	-	-	-	-	-	-	-
15	-	963	957	927	868	-	-	-	-
20	-	1 053	1 060	1 046	1 008	941	-	-	-
30	-	1 255	1 279	1 290	1 285	1 258	1 205	1 121	-
40	-	1 514	1 542	1 567	1 582	1 584	1 568	1 528	-
50	-	-	-	1 908	1 932	1 950	1 958	1 951	-
60	-	-	-	-	2 366	2 389	2 409	2 422	-
65	-	-	-	-	-	-	-	-	-

Current consumption in A

5	-	-	-	-	-	-	-	-	-
15	-	1.84	1.83	1.72	1.53	-	-	-	-
20	-	1.95	1.98	1.93	1.80	1.61	-	-	-
30	-	2.19	2.25	2.26	2.23	2.16	2.05	1.90	-
40	-	2.59	2.60	2.60	2.59	2.58	2.55	2.52	-
50	-	-	-	3.10	3.04	3.01	3.00	3.02	-
60	-	-	-	-	3.70	3.58	3.52	3.52	-
65	-	-	-	-	-	-	-	-	-

Mass flow in kg/h

5	-	-	-	-	-	-	-	-	-
15	-	55	68	83	101	-	-	-	-
20	-	55	68	83	101	121	-	-	-
30	-	54	67	82	100	120	144	170	-
40	-	52	65	81	99	119	142	168	-
50	-	-	-	79	96	117	140	166	-
60	-	-	-	-	93	113	136	162	-
65	-	-	-	-	-	-	-	-	-

Coefficient of performance (C.O.P.)

5	-	-	-	-	-	-	-	-	-
15	-	2.88	3.66	4.70	6.18	-	-	-	-
20	-	2.52	3.16	3.99	5.10	6.67	-	-	-
30	-	1.89	2.36	2.93	3.63	4.54	5.73	7.39	-
40	-	1.37	1.72	2.13	2.62	3.22	3.95	4.87	-
50	-	-	-	1.51	1.86	2.27	2.76	3.35	-
60	-	-	-	-	1.27	1.56	1.90	2.30	-
65	-	-	-	-	-	-	-	-	-

Nominal performance at to = -10 °C, tc = 45 °C

Cooling capacity	3 116	W
Power input	1 727	W
Current consumption	2.82	A
Mass flow	80	kg/h
C.O.P.	1.80	

Pressure switch settings

Maximum HP switch setting	27.4	bar(g)
Minimum LP switch setting	0.8	bar(g)
LP pump down setting	1.1	bar(g)

Sound power data

Sound power level		dB(A)
With acoustic hood		dB(A)

to: Evaporating temperature at dew point

tc: Condensing temperature at dew point

Rating conditions : Superheat = 10 K , Subcooling = 0 K

Tolerance according EN12900

Danfoss can accept no responsibility for possible errors in catalogues, brochures and other printed material. Danfoss reserves the right to alter its products without notice. This also applies to products already on order provided that such alternations can be made without subsequential changes being necessary in specifications already agreed. All trademarks in this material are property of the respective companies. Danfoss and the Danfoss logotype are trademarks of Danfoss A/S. All rights reserved.

Performance data at 60 Hz, EN 12900 rating conditions, Suction temp. = 20 °C
R449A

Cond. temp. in °C (tc)	Evaporating temperature in °C (to)							
	-30	-20	-15	-10	-5	0	5	10

Cooling capacity in W

5	-	-	-	-	-	-	-	-	-
15	-	2 781	3 496	4 346	5 347	-	-	-	-
20	-	2 664	3 356	4 176	5 139	6 262	-	-	-
30	-	2 416	3 057	3 812	4 695	5 723	6 913	8 287	-
40	-	-	2 729	3 413	4 211	5 138	6 209	7 444	-
50	-	-	-	2 978	3 685	4 505	5 452	6 542	-
60	-	-	-	-	-	3 821	4 638	5 577	-
65	-	-	-	-	-	-	-	-	-

Power input in W

5	-	-	-	-	-	-	-	-	-
15	-	963	957	927	868	-	-	-	-
20	-	1 053	1 060	1 046	1 008	941	-	-	-
30	-	1 255	1 279	1 290	1 285	1 258	1 205	1 121	-
40	-	-	1 542	1 567	1 582	1 584	1 568	1 528	-
50	-	-	-	1 908	1 932	1 950	1 958	1 951	-
60	-	-	-	-	-	2 389	2 409	2 422	-
65	-	-	-	-	-	-	-	-	-

Current consumption in A

5	-	-	-	-	-	-	-	-	-
15	-	1.84	1.83	1.72	1.53	-	-	-	-
20	-	1.95	1.98	1.93	1.80	1.61	-	-	-
30	-	2.19	2.25	2.26	2.23	2.16	2.05	1.90	-
40	-	-	2.60	2.60	2.59	2.58	2.55	2.52	-
50	-	-	-	3.10	3.04	3.01	3.00	3.02	-
60	-	-	-	-	-	3.58	3.52	3.52	-
65	-	-	-	-	-	-	-	-	-

Mass flow in kg/h

5	-	-	-	-	-	-	-	-	-
15	-	48	61	76	94	-	-	-	-
20	-	48	61	76	94	115	-	-	-
30	-	47	60	75	93	114	140	170	-
40	-	-	58	74	92	113	138	168	-
50	-	-	-	72	90	111	136	166	-
60	-	-	-	-	-	108	133	162	-
65	-	-	-	-	-	-	-	-	-

Coefficient of performance (C.O.P.)

5	-	-	-	-	-	-	-	-	-
15	-	2.89	3.65	4.69	6.16	-	-	-	-
20	-	2.53	3.17	3.99	5.10	6.66	-	-	-
30	-	1.93	2.39	2.95	3.65	4.55	5.74	7.39	-
40	-	-	1.77	2.18	2.66	3.24	3.96	4.87	-
50	-	-	-	1.56	1.91	2.31	2.78	3.35	-
60	-	-	-	-	-	1.60	1.93	2.30	-
65	-	-	-	-	-	-	-	-	-

Nominal performance at to = -10 °C, tc = 45 °C

Cooling capacity	3 200	W
Power input	1 727	W
Current consumption	2.82	A
Mass flow	73	kg/h
C.O.P.	1.85	

Pressure switch settings

Maximum HP switch setting	27.4	bar(g)
Minimum LP switch setting	0.8	bar(g)
LP pump down setting	1.1	bar(g)

Sound power data

Sound power level		dB(A)
With acoustic hood		dB(A)

to: Evaporating temperature at dew point

tc: Condensing temperature at dew point

Rating conditions : Suction gas temp. = 20 °C , Subcooling = 0 K

Tolerance according EN12900

Danfoss can accept no responsibility for possible errors in catalogues, brochures and other printed material. Danfoss reserves the right to alter its products without notice. This also applies to products already on order provided that such alternations can be made without subsequential changes being necessary in specifications already agreed. All trademarks in this material are property of the respective companies. Danfoss and the Danfoss logotype are trademarks of Danfoss A/S. All rights reserved.

Performance data at 65 Hz, EN 12900 rating conditions

R449A

Cond. temp. in °C (tc)	Evaporating temperature in °C (to)							
	-30	-20	-15	-10	-5	0	5	10

Cooling capacity in W

5	-	-	-	-	-	-	-	-	-
15	-	3 008	3 787	4 715	5 809	-	-	-	-
20	-	2 867	3 619	4 512	5 563	6 791	-	-	-
30	-	2 571	3 264	4 083	5 048	6 173	7 478	8 978	-
40	-	2 250	2 880	3 622	4 494	5 513	6 696	8 061	-
50	-	-	-	3 122	3 897	4 805	5 862	7 087	-
60	-	-	-	-	3 253	4 044	4 972	6 052	-
65	-	-	-	-	-	-	-	-	-

Power input in W

5	-	-	-	-	-	-	-	-	-
15	-	1 058	1 053	1 022	960	-	-	-	-
20	-	1 154	1 163	1 151	1 111	1 040	-	-	-
30	-	1 371	1 399	1 413	1 409	1 382	1 326	1 236	-
40	-	1 646	1 680	1 709	1 728	1 732	1 715	1 673	-
50	-	-	-	2 073	2 101	2 123	2 134	2 127	-
60	-	-	-	-	2 562	2 590	2 614	2 630	-
65	-	-	-	-	-	-	-	-	-

Current consumption in A

5	-	-	-	-	-	-	-	-	-
15	-	1.97	1.96	1.85	1.66	-	-	-	-
20	-	2.09	2.12	2.07	1.94	1.74	-	-	-
30	-	2.35	2.41	2.42	2.39	2.32	2.20	2.06	-
40	-	2.76	2.78	2.79	2.78	2.76	2.74	2.71	-
50	-	-	-	3.31	3.25	3.22	3.22	3.24	-
60	-	-	-	-	3.95	3.83	3.78	3.78	-
65	-	-	-	-	-	-	-	-	-

Mass flow in kg/h

5	-	-	-	-	-	-	-	-	-
15	-	60	74	90	110	-	-	-	-
20	-	59	73	90	109	131	-	-	-
30	-	58	72	89	108	130	155	184	-
40	-	57	71	88	107	129	154	182	-
50	-	-	-	85	104	126	151	179	-
60	-	-	-	-	101	123	148	176	-
65	-	-	-	-	-	-	-	-	-

Coefficient of performance (C.O.P.)

5	-	-	-	-	-	-	-	-	-
15	-	2.84	3.60	4.62	6.05	-	-	-	-
20	-	2.48	3.11	3.92	5.01	6.53	-	-	-
30	-	1.88	2.33	2.89	3.58	4.47	5.64	7.26	-
40	-	1.37	1.71	2.12	2.60	3.18	3.90	4.82	-
50	-	-	-	1.51	1.85	2.26	2.75	3.33	-
60	-	-	-	-	1.27	1.56	1.90	2.30	-
65	-	-	-	-	-	-	-	-	-

Nominal performance at to = -10 °C, tc = 45 °C

Cooling capacity	3 377	W
Power input	1 881	W
Current consumption	3.02	A
Mass flow	87	kg/h
C.O.P.	1.80	

Pressure switch settings

Maximum HP switch setting	27.4	bar(g)
Minimum LP switch setting	0.8	bar(g)
LP pump down setting	1.1	bar(g)

Sound power data

Sound power level		dB(A)
With acoustic hood		dB(A)

to: Evaporating temperature at dew point

tc: Condensing temperature at dew point

Rating conditions : Superheat = 10 K , Subcooling = 0 K

Tolerance according EN12900

Danfoss can accept no responsibility for possible errors in catalogues, brochures and other printed material. Danfoss reserves the right to alter its products without notice. This also applies to products already on order provided that such alternations can be made without subsequential changes being necessary in specifications already agreed. All trademarks in this material are property of the respective companies. Danfoss and the Danfoss logotype are trademarks of Danfoss A/S. All rights reserved.

Performance data at 65 Hz, EN 12900 rating conditions, Suction temp. = 20 °C

R449A

Cond. temp. in °C (tc)	Evaporating temperature in °C (to)								
	-30	-20	-15	-10	-5	0	5	10	20

Cooling capacity in W

5	-	-	-	-	-	-	-	-	-
15	-	3 010	3 784	4 705	5 791	-	-	-	-
20	-	2 885	3 632	4 518	5 562	6 782	-	-	-
30	-	2 618	3 309	4 123	5 078	6 192	7 484	8 978	-
40	-	-	2 958	3 696	4 557	5 559	6 721	8 061	-
50	-	-	-	3 230	3 994	4 880	5 905	7 087	-
60	-	-	-	-	-	4 150	5 034	6 052	-
65	-	-	-	-	-	-	-	-	-

Power input in W

5	-	-	-	-	-	-	-	-	-
15	-	1 058	1 053	1 022	960	-	-	-	-
20	-	1 154	1 163	1 151	1 111	1 040	-	-	-
30	-	1 371	1 399	1 413	1 409	1 382	1 326	1 236	-
40	-	-	1 680	1 709	1 728	1 732	1 715	1 673	-
50	-	-	-	2 073	2 101	2 123	2 134	2 127	-
60	-	-	-	-	-	2 590	2 614	2 630	-
65	-	-	-	-	-	-	-	-	-

Current consumption in A

5	-	-	-	-	-	-	-	-	-
15	-	1.97	1.96	1.85	1.66	-	-	-	-
20	-	2.09	2.12	2.07	1.94	1.74	-	-	-
30	-	2.35	2.41	2.42	2.39	2.32	2.20	2.06	-
40	-	-	2.78	2.79	2.78	2.76	2.74	2.71	-
50	-	-	-	3.31	3.25	3.22	3.22	3.24	-
60	-	-	-	-	-	3.83	3.78	3.78	-
65	-	-	-	-	-	-	-	-	-

Mass flow in kg/h

5	-	-	-	-	-	-	-	-	-
15	-	52	66	82	102	-	-	-	-
20	-	52	66	82	102	125	-	-	-
30	-	51	65	81	101	124	151	184	-
40	-	-	63	80	99	122	150	182	-
50	-	-	-	78	97	120	147	179	-
60	-	-	-	-	-	117	144	176	-
65	-	-	-	-	-	-	-	-	-

Coefficient of performance (C.O.P.)

5	-	-	-	-	-	-	-	-	-
15	-	2.85	3.59	4.61	6.03	-	-	-	-
20	-	2.50	3.12	3.93	5.01	6.52	-	-	-
30	-	1.91	2.37	2.92	3.60	4.48	5.65	7.26	-
40	-	-	1.76	2.16	2.64	3.21	3.92	4.82	-
50	-	-	-	1.56	1.90	2.30	2.77	3.33	-
60	-	-	-	-	-	1.60	1.93	2.30	-
65	-	-	-	-	-	-	-	-	-

Nominal performance at to = -10 °C, tc = 45 °C

Cooling capacity	3 468	W
Power input	1 881	W
Current consumption	3.02	A
Mass flow	79	kg/h
C.O.P.	1.84	

Pressure switch settings

Maximum HP switch setting	27.4	bar(g)
Minimum LP switch setting	0.8	bar(g)
LP pump down setting	1.1	bar(g)

Sound power data

Sound power level		dB(A)
With acoustic hood		dB(A)

to: Evaporating temperature at dew point

tc: Condensing temperature at dew point

Rating conditions : Suction gas temp. = 20 °C , Subcooling = 0 K

Tolerance according EN12900

Danfoss can accept no responsibility for possible errors in catalogues, brochures and other printed material. Danfoss reserves the right to alter its products without notice. This also applies to products already on order provided that such alternations can be made without subsequential changes being necessary in specifications already agreed. All trademarks in this material are property of the respective companies. Danfoss and the Danfoss logotype are trademarks of Danfoss A/S. All rights reserved.

Performance data at 70 Hz, EN 12900 rating conditions

R449A

Cond. temp. in °C (tc)	Evaporating temperature in °C (to)							
	-30	-20	-15	-10	-5	0	5	10

Cooling capacity in W

5	-	-	-	-	-	-	-	-	-
15	-	3 235	4 072	5 071	6 251	-	-	-	-
20	-	3 083	3 889	4 849	5 982	7 308	-	-	-
30	-	2 766	3 508	4 387	5 423	6 636	8 044	9 667	-
40	-	2 426	3 100	3 895	4 830	5 926	7 201	8 675	-
50	-	-	-	3 364	4 196	5 171	6 310	7 631	-
60	-	-	-	-	3 512	4 364	5 362	6 527	-
65	-	-	-	-	-	-	-	-	-

Power input in W

5	-	-	-	-	-	-	-	-	-
15	-	1 157	1 154	1 123	1 059	-	-	-	-
20	-	1 260	1 272	1 261	1 221	1 147	-	-	-
30	-	1 490	1 523	1 541	1 539	1 512	1 454	1 360	-
40	-	1 782	1 822	1 857	1 879	1 885	1 869	1 825	-
50	-	-	-	2 241	2 275	2 301	2 313	2 307	-
60	-	-	-	-	2 761	2 794	2 822	2 840	-
65	-	-	-	-	-	-	-	-	-

Current consumption in A

5	-	-	-	-	-	-	-	-	-
15	-	2.10	2.09	1.99	1.79	-	-	-	-
20	-	2.22	2.26	2.21	2.09	1.89	-	-	-
30	-	2.50	2.57	2.59	2.56	2.48	2.37	2.22	-
40	-	2.93	2.96	2.97	2.97	2.96	2.93	2.90	-
50	-	-	-	3.51	3.47	3.45	3.44	3.46	-
60	-	-	-	-	4.19	4.09	4.04	4.04	-
65	-	-	-	-	-	-	-	-	-

Mass flow in kg/h

5	-	-	-	-	-	-	-	-	-
15	-	64	79	97	118	-	-	-	-
20	-	64	79	97	117	141	-	-	-
30	-	63	78	96	116	140	167	198	-
40	-	61	76	94	115	138	165	196	-
50	-	-	-	92	112	136	163	193	-
60	-	-	-	-	109	133	159	190	-
65	-	-	-	-	-	-	-	-	-

Coefficient of performance (C.O.P.)

5	-	-	-	-	-	-	-	-	-
15	-	2.80	3.53	4.52	5.90	-	-	-	-
20	-	2.45	3.06	3.85	4.90	6.37	-	-	-
30	-	1.86	2.30	2.85	3.52	4.39	5.53	7.11	-
40	-	1.36	1.70	2.10	2.57	3.14	3.85	4.75	-
50	-	-	-	1.50	1.84	2.25	2.73	3.31	-
60	-	-	-	-	1.27	1.56	1.90	2.30	-
65	-	-	-	-	-	-	-	-	-

Nominal performance at to = -10 °C, tc = 45 °C

Cooling capacity	3 635	W
Power input	2 038	W
Current consumption	3.21	A
Mass flow	93	kg/h
C.O.P.	1.78	

Pressure switch settings

Maximum HP switch setting	27.4	bar(g)
Minimum LP switch setting	0.8	bar(g)
LP pump down setting	1.1	bar(g)

Sound power data

Sound power level		dB(A)
With acoustic hood		dB(A)

to: Evaporating temperature at dew point

tc: Condensing temperature at dew point

Rating conditions : Superheat = 10 K , Subcooling = 0 K

Tolerance according EN12900

Danfoss can accept no responsibility for possible errors in catalogues, brochures and other printed material. Danfoss reserves the right to alter its products without notice. This also applies to products already on order provided that such alternations can be made without subsequential changes being necessary in specifications already agreed. All trademarks in this material are property of the respective companies. Danfoss and the Danfoss logotype are trademarks of Danfoss A/S. All rights reserved.

Performance data at 70 Hz, EN 12900 rating conditions, Suction temp. = 20 °C

R449A

Cond. temp. in °C (tc)	Evaporating temperature in °C (to)								
	-30	-20	-15	-10	-5	0	5	10	20

Cooling capacity in W

5	-	-	-	-	-	-	-	-	-
15	-	3 238	4 068	5 060	6 232	-	-	-	-
20	-	3 102	3 903	4 856	5 980	7 298	-	-	-
30	-	2 818	3 557	4 430	5 456	6 655	8 051	9 667	-
40	-	-	3 184	3 975	4 899	5 976	7 227	8 675	-
50	-	-	-	3 481	4 300	5 253	6 356	7 631	-
60	-	-	-	-	-	4 477	5 430	6 527	-
65	-	-	-	-	-	-	-	-	-

Power input in W

5	-	-	-	-	-	-	-	-	-
15	-	1 157	1 154	1 123	1 059	-	-	-	-
20	-	1 260	1 272	1 261	1 221	1 147	-	-	-
30	-	1 490	1 523	1 541	1 539	1 512	1 454	1 360	-
40	-	-	1 822	1 857	1 879	1 885	1 869	1 825	-
50	-	-	-	2 241	2 275	2 301	2 313	2 307	-
60	-	-	-	-	-	2 794	2 822	2 840	-
65	-	-	-	-	-	-	-	-	-

Current consumption in A

5	-	-	-	-	-	-	-	-	-
15	-	2.10	2.09	1.99	1.79	-	-	-	-
20	-	2.22	2.26	2.21	2.09	1.89	-	-	-
30	-	2.50	2.57	2.59	2.56	2.48	2.37	2.22	-
40	-	-	2.96	2.97	2.97	2.96	2.93	2.90	-
50	-	-	-	3.51	3.47	3.45	3.44	3.46	-
60	-	-	-	-	-	4.09	4.04	4.04	-
65	-	-	-	-	-	-	-	-	-

Mass flow in kg/h

5	-	-	-	-	-	-	-	-	-
15	-	56	71	89	110	-	-	-	-
20	-	56	70	88	109	134	-	-	-
30	-	55	70	87	108	133	163	198	-
40	-	-	68	86	107	131	161	196	-
50	-	-	-	84	105	129	158	193	-
60	-	-	-	-	-	126	155	190	-
65	-	-	-	-	-	-	-	-	-

Coefficient of performance (C.O.P.)

5	-	-	-	-	-	-	-	-	-
15	-	2.80	3.53	4.51	5.88	-	-	-	-
20	-	2.46	3.07	3.85	4.90	6.36	-	-	-
30	-	1.89	2.34	2.87	3.54	4.40	5.54	7.11	-
40	-	-	1.75	2.14	2.61	3.17	3.87	4.75	-
50	-	-	-	1.55	1.89	2.28	2.75	3.31	-
60	-	-	-	-	-	1.60	1.92	2.30	-
65	-	-	-	-	-	-	-	-	-

Nominal performance at to = -10 °C, tc = 45 °C

Cooling capacity	3 733	W
Power input	2 038	W
Current consumption	3.21	A
Mass flow	85	kg/h
C.O.P.	1.83	

Pressure switch settings

Maximum HP switch setting	27.4	bar(g)
Minimum LP switch setting	0.8	bar(g)
LP pump down setting	1.1	bar(g)

Sound power data

Sound power level		dB(A)
With acoustic hood		dB(A)

to: Evaporating temperature at dew point

tc: Condensing temperature at dew point

Rating conditions : Suction gas temp. = 20 °C , Subcooling = 0 K

Tolerance according EN12900

Danfoss can accept no responsibility for possible errors in catalogues, brochures and other printed material. Danfoss reserves the right to alter its products without notice. This also applies to products already on order provided that such alternations can be made without subsequential changes being necessary in specifications already agreed. All trademarks in this material are property of the respective companies. Danfoss and the Danfoss logotype are trademarks of Danfoss A/S. All rights reserved.

Performance data at 75 Hz, EN 12900 rating conditions
R449A

Cond. temp. in °C (tc)	Evaporating temperature in °C (to)							
	-30	-20	-15	-10	-5	0	5	10

Cooling capacity in W

5	-	-	-	-	-	-	-	-	-
15	-	3 459	4 354	5 424	6 691	-	-	-	-
20	-	3 296	4 156	5 182	6 397	7 821	-	-	-
30	-	2 959	3 749	4 686	5 794	7 093	8 605	10 353	-
40	-	2 600	3 317	4 164	5 163	6 334	7 701	9 285	-
50	-	-	-	3 604	4 492	5 535	6 754	8 172	-
60	-	-	-	-	3 771	4 683	5 753	7 003	-
65	-	-	-	-	-	-	-	-	-

Power input in W

5	-	-	-	-	-	-	-	-	-
15	-	1 260	1 260	1 231	1 167	-	-	-	-
20	-	1 370	1 386	1 377	1 338	1 263	-	-	-
30	-	1 614	1 653	1 675	1 675	1 649	1 589	1 492	-
40	-	1 920	1 968	2 008	2 035	2 043	2 028	1 983	-
50	-	-	-	2 412	2 452	2 482	2 497	2 491	-
60	-	-	-	-	2 962	3 001	3 033	3 053	-
65	-	-	-	-	-	-	-	-	-

Current consumption in A

5	-	-	-	-	-	-	-	-	-
15	-	2.23	2.23	2.13	1.94	-	-	-	-
20	-	2.37	2.40	2.36	2.24	2.05	-	-	-
30	-	2.66	2.73	2.75	2.73	2.66	2.55	2.41	-
40	-	3.09	3.13	3.16	3.16	3.15	3.13	3.10	-
50	-	-	-	3.72	3.69	3.67	3.67	3.70	-
60	-	-	-	-	4.43	4.35	4.31	4.32	-
65	-	-	-	-	-	-	-	-	-

Mass flow in kg/h

5	-	-	-	-	-	-	-	-	-
15	-	68	85	104	126	-	-	-	-
20	-	68	84	103	126	151	-	-	-
30	-	67	83	102	124	150	179	212	-
40	-	65	82	101	123	148	177	210	-
50	-	-	-	99	120	145	174	207	-
60	-	-	-	-	117	142	171	203	-
65	-	-	-	-	-	-	-	-	-

Coefficient of performance (C.O.P.)

5	-	-	-	-	-	-	-	-	-
15	-	2.75	3.45	4.41	5.74	-	-	-	-
20	-	2.41	3.00	3.76	4.78	6.19	-	-	-
30	-	1.83	2.27	2.80	3.46	4.30	5.41	6.94	-
40	-	1.35	1.69	2.07	2.54	3.10	3.80	4.68	-
50	-	-	-	1.49	1.83	2.23	2.70	3.28	-
60	-	-	-	-	1.27	1.56	1.90	2.29	-
65	-	-	-	-	-	-	-	-	-

Nominal performance at to = -10 °C, tc = 45 °C

Cooling capacity	3 889	W
Power input	2 199	W
Current consumption	3.41	A
Mass flow	100	kg/h
C.O.P.	1.77	

Pressure switch settings

Maximum HP switch setting	27.4	bar(g)
Minimum LP switch setting	0.8	bar(g)
LP pump down setting	1.1	bar(g)

Sound power data

Sound power level		dB(A)
With acoustic hood		dB(A)

to: Evaporating temperature at dew point

tc: Condensing temperature at dew point

Rating conditions : Superheat = 10 K , Subcooling = 0 K

Tolerance according EN12900

Danfoss can accept no responsibility for possible errors in catalogues, brochures and other printed material. Danfoss reserves the right to alter its products without notice. This also applies to products already on order provided that such alternations can be made without subsequential changes being necessary in specifications already agreed. All trademarks in this material are property of the respective companies. Danfoss and the Danfoss logotype are trademarks of Danfoss A/S. All rights reserved.

Performance data at 75 Hz, EN 12900 rating conditions, Suction temp. = 20 °C

R449A

Cond. temp. in °C (tc)	Evaporating temperature in °C (to)							
	-30	-20	-15	-10	-5	0	5	10

Cooling capacity in W

5	-	-	-	-	-	-	-	-	-
15	-	3 462	4 350	5 411	6 670	-	-	-	-
20	-	3 316	4 171	5 189	6 394	7 811	-	-	-
30	-	3 014	3 801	4 732	5 829	7 114	8 613	10 353	-
40	-	-	3 408	4 249	5 236	6 388	7 729	9 285	-
50	-	-	-	3 729	4 604	5 622	6 803	8 172	-
60	-	-	-	-	-	4 804	5 825	7 003	-
65	-	-	-	-	-	-	-	-	-

Power input in W

5	-	-	-	-	-	-	-	-	-
15	-	1 260	1 260	1 231	1 167	-	-	-	-
20	-	1 370	1 386	1 377	1 338	1 263	-	-	-
30	-	1 614	1 653	1 675	1 675	1 649	1 589	1 492	-
40	-	-	1 968	2 008	2 035	2 043	2 028	1 983	-
50	-	-	-	2 412	2 452	2 482	2 497	2 491	-
60	-	-	-	-	-	3 001	3 033	3 053	-
65	-	-	-	-	-	-	-	-	-

Current consumption in A

5	-	-	-	-	-	-	-	-	-
15	-	2.23	2.23	2.13	1.94	-	-	-	-
20	-	2.37	2.40	2.36	2.24	2.05	-	-	-
30	-	2.66	2.73	2.75	2.73	2.66	2.55	2.41	-
40	-	-	3.13	3.16	3.16	3.15	3.13	3.10	-
50	-	-	-	3.72	3.69	3.67	3.67	3.70	-
60	-	-	-	-	-	4.35	4.31	4.32	-
65	-	-	-	-	-	-	-	-	-

Mass flow in kg/h

5	-	-	-	-	-	-	-	-	-
15	-	60	76	95	117	-	-	-	-
20	-	60	75	94	117	144	-	-	-
30	-	59	74	93	115	142	174	212	-
40	-	-	73	92	114	140	172	210	-
50	-	-	-	90	112	138	170	207	-
60	-	-	-	-	-	135	166	203	-
65	-	-	-	-	-	-	-	-	-

Coefficient of performance (C.O.P.)

5	-	-	-	-	-	-	-	-	-
15	-	2.75	3.45	4.40	5.72	-	-	-	-
20	-	2.42	3.01	3.77	4.78	6.19	-	-	-
30	-	1.87	2.30	2.83	3.48	4.31	5.42	6.94	-
40	-	-	1.73	2.12	2.57	3.13	3.81	4.68	-
50	-	-	-	1.55	1.88	2.26	2.72	3.28	-
60	-	-	-	-	-	1.60	1.92	2.29	-
65	-	-	-	-	-	-	-	-	-

Nominal performance at to = -10 °C, tc = 45 °C

Cooling capacity	3 995	W
Power input	2 199	W
Current consumption	3.41	A
Mass flow	91	kg/h
C.O.P.	1.82	

Pressure switch settings

Maximum HP switch setting	27.4	bar(g)
Minimum LP switch setting	0.8	bar(g)
LP pump down setting	1.1	bar(g)

Sound power data

Sound power level		dB(A)
With acoustic hood		dB(A)

to: Evaporating temperature at dew point

tc: Condensing temperature at dew point

Rating conditions : Suction gas temp. = 20 °C , Subcooling = 0 K

Tolerance according EN12900

Danfoss can accept no responsibility for possible errors in catalogues, brochures and other printed material. Danfoss reserves the right to alter its products without notice. This also applies to products already on order provided that such alternations can be made without subsequential changes being necessary in specifications already agreed. All trademarks in this material are property of the respective companies. Danfoss and the Danfoss logotype are trademarks of Danfoss A/S. All rights reserved.

Performance data at 80 Hz, EN 12900 rating conditions

R449A

Cond. temp. in °C (tc)	Evaporating temperature in °C (to)							
	-30	-20	-15	-10	-5	0	5	10

Cooling capacity in W

5	-	-	-	-	-	-	-	-	-
15	-	3 681	4 632	5 772	7 127	-	-	-	-
20	-	3 506	4 419	5 511	6 807	8 331	-	-	-
30	-	3 150	3 986	4 981	6 159	7 545	9 163	11 037	-
40	-	2 772	3 532	4 430	5 490	6 738	8 197	9 892	-
50	-	-	-	3 842	4 785	5 895	7 195	8 710	-
60	-	-	-	-	4 029	5 001	6 143	7 479	-
65	-	-	-	-	-	-	-	-	-

Power input in W

5	-	-	-	-	-	-	-	-	-
15	-	1 368	1 372	1 345	1 282	-	-	-	-
20	-	1 484	1 505	1 500	1 462	1 386	-	-	-
30	-	1 741	1 786	1 814	1 818	1 792	1 732	1 632	-
40	-	2 062	2 117	2 164	2 196	2 208	2 193	2 147	-
50	-	-	-	2 587	2 634	2 668	2 686	2 680	-
60	-	-	-	-	3 166	3 211	3 246	3 268	-
65	-	-	-	-	-	-	-	-	-

Current consumption in A

5	-	-	-	-	-	-	-	-	-
15	-	2.36	2.36	2.28	2.10	-	-	-	-
20	-	2.51	2.55	2.51	2.41	2.23	-	-	-
30	-	2.81	2.89	2.92	2.90	2.84	2.74	2.60	-
40	-	3.25	3.31	3.35	3.36	3.36	3.34	3.31	-
50	-	-	-	3.92	3.91	3.91	3.91	3.93	-
60	-	-	-	-	4.67	4.61	4.59	4.60	-
65	-	-	-	-	-	-	-	-	-

Mass flow in kg/h

5	-	-	-	-	-	-	-	-	-
15	-	73	90	111	135	-	-	-	-
20	-	72	90	110	134	161	-	-	-
30	-	71	88	109	132	159	190	226	-
40	-	70	87	107	130	157	188	223	-
50	-	-	-	105	128	155	186	220	-
60	-	-	-	-	126	152	183	217	-
65	-	-	-	-	-	-	-	-	-

Coefficient of performance (C.O.P.)

5	-	-	-	-	-	-	-	-	-
15	-	2.69	3.38	4.29	5.56	-	-	-	-
20	-	2.36	2.94	3.67	4.66	6.01	-	-	-
30	-	1.81	2.23	2.75	3.39	4.21	5.29	6.76	-
40	-	1.34	1.67	2.05	2.50	3.05	3.74	4.61	-
50	-	-	-	1.48	1.82	2.21	2.68	3.25	-
60	-	-	-	-	1.27	1.56	1.89	2.29	-
65	-	-	-	-	-	-	-	-	-

Nominal performance at to = -10 °C, tc = 45 °C

Cooling capacity	4 141	W
Power input	2 364	W
Current consumption	3.61	A
Mass flow	106	kg/h
C.O.P.	1.75	

Pressure switch settings

Maximum HP switch setting	27.4	bar(g)
Minimum LP switch setting	0.8	bar(g)
LP pump down setting	1.1	bar(g)

Sound power data

Sound power level		dB(A)
With acoustic hood		dB(A)

to: Evaporating temperature at dew point

tc: Condensing temperature at dew point

Rating conditions : Superheat = 10 K , Subcooling = 0 K

Tolerance according EN12900

Danfoss can accept no responsibility for possible errors in catalogues, brochures and other printed material. Danfoss reserves the right to alter its products without notice. This also applies to products already on order provided that such alternations can be made without subsequential changes being necessary in specifications already agreed. All trademarks in this material are property of the respective companies. Danfoss and the Danfoss logotype are trademarks of Danfoss A/S. All rights reserved.

Performance data at 80 Hz, EN 12900 rating conditions, Suction temp. = 20 °C

R449A

Cond. temp. in °C (tc)	Evaporating temperature in °C (to)							
	-30	-20	-15	-10	-5	0	5	10

Cooling capacity in W

5	-	-	-	-	-	-	-	-	-
15	-	3 683	4 627	5 760	7 106	-	-	-	-
20	-	3 527	4 434	5 518	6 804	8 320	-	-	-
30	-	3 208	4 042	5 030	6 196	7 567	9 171	11 037	-
40	-	-	3 628	4 520	5 568	6 795	8 227	9 892	-
50	-	-	-	3 976	4 904	5 987	7 248	8 710	-
60	-	-	-	-	-	5 131	6 220	7 479	-
65	-	-	-	-	-	-	-	-	-

Power input in W

5	-	-	-	-	-	-	-	-	-
15	-	1 368	1 372	1 345	1 282	-	-	-	-
20	-	1 484	1 505	1 500	1 462	1 386	-	-	-
30	-	1 741	1 786	1 814	1 818	1 792	1 732	1 632	-
40	-	-	2 117	2 164	2 196	2 208	2 193	2 147	-
50	-	-	-	2 587	2 634	2 668	2 686	2 680	-
60	-	-	-	-	-	3 211	3 246	3 268	-
65	-	-	-	-	-	-	-	-	-

Current consumption in A

5	-	-	-	-	-	-	-	-	-
15	-	2.36	2.36	2.28	2.10	-	-	-	-
20	-	2.51	2.55	2.51	2.41	2.23	-	-	-
30	-	2.81	2.89	2.92	2.90	2.84	2.74	2.60	-
40	-	-	3.31	3.35	3.36	3.36	3.34	3.31	-
50	-	-	-	3.92	3.91	3.91	3.91	3.93	-
60	-	-	-	-	-	4.61	4.59	4.60	-
65	-	-	-	-	-	-	-	-	-

Mass flow in kg/h

5	-	-	-	-	-	-	-	-	-
15	-	64	81	101	125	-	-	-	-
20	-	63	80	100	124	153	-	-	-
30	-	62	79	99	123	151	185	226	-
40	-	-	78	98	121	149	183	223	-
50	-	-	-	96	119	147	181	220	-
60	-	-	-	-	-	145	178	217	-
65	-	-	-	-	-	-	-	-	-

Coefficient of performance (C.O.P.)

5	-	-	-	-	-	-	-	-	-
15	-	2.69	3.37	4.28	5.54	-	-	-	-
20	-	2.38	2.95	3.68	4.65	6.00	-	-	-
30	-	1.84	2.26	2.77	3.41	4.22	5.29	6.76	-
40	-	-	1.71	2.09	2.54	3.08	3.75	4.61	-
50	-	-	-	1.54	1.86	2.24	2.70	3.25	-
60	-	-	-	-	-	1.60	1.92	2.29	-
65	-	-	-	-	-	-	-	-	-

Nominal performance at to = -10 °C, tc = 45 °C

Cooling capacity	4 253	W
Power input	2 364	W
Current consumption	3.61	A
Mass flow	97	kg/h
C.O.P.	1.80	

Pressure switch settings

Maximum HP switch setting	27.4	bar(g)
Minimum LP switch setting	0.8	bar(g)
LP pump down setting	1.1	bar(g)

Sound power data

Sound power level		dB(A)
With acoustic hood		dB(A)

to: Evaporating temperature at dew point

tc: Condensing temperature at dew point

Rating conditions : Suction gas temp. = 20 °C , Subcooling = 0 K

Tolerance according EN12900

Danfoss can accept no responsibility for possible errors in catalogues, brochures and other printed material. Danfoss reserves the right to alter its products without notice. This also applies to products already on order provided that such alternations can be made without subsequential changes being necessary in specifications already agreed. All trademarks in this material are property of the respective companies. Danfoss and the Danfoss logotype are trademarks of Danfoss A/S. All rights reserved.

Performance data at 85 Hz, EN 12900 rating conditions

R449A

Cond. temp. in °C (tc)	Evaporating temperature in °C (to)							
	-30	-20	-15	-10	-5	0	5	10

Cooling capacity in W

5	-	-	-	-	-	-	-	-	-
15	-	3 899	4 906	6 118	7 561	-	-	-	-
20	-	3 713	4 678	5 835	7 213	8 838	-	-	-
30	-	3 338	4 219	5 271	6 519	7 992	9 716	11 719	-
40	-	2 942	3 744	4 691	5 813	7 136	8 688	10 495	-
50	-	-	-	4 078	5 076	6 252	7 633	9 247	-
60	-	-	-	-	4 287	5 318	6 532	7 955	-
65	-	-	-	-	-	-	-	-	-

Power input in W

5	-	-	-	-	-	-	-	-	-
15	-	1 481	1 490	1 466	1 404	-	-	-	-
20	-	1 603	1 630	1 628	1 593	1 518	-	-	-
30	-	1 872	1 924	1 958	1 966	1 943	1 883	1 781	-
40	-	2 206	2 271	2 324	2 362	2 377	2 364	2 318	-
50	-	-	-	2 766	2 819	2 858	2 879	2 874	-
60	-	-	-	-	3 373	3 423	3 463	3 487	-
65	-	-	-	-	-	-	-	-	-

Current consumption in A

5	-	-	-	-	-	-	-	-	-
15	-	2.50	2.50	2.43	2.28	-	-	-	-
20	-	2.65	2.69	2.66	2.57	2.42	-	-	-
30	-	2.97	3.05	3.09	3.08	3.03	2.94	2.81	-
40	-	3.40	3.48	3.54	3.56	3.57	3.55	3.51	-
50	-	-	-	4.11	4.13	4.15	4.16	4.17	-
60	-	-	-	-	4.90	4.88	4.88	4.89	-
65	-	-	-	-	-	-	-	-	-

Mass flow in kg/h

5	-	-	-	-	-	-	-	-	-
15	-	77	96	117	143	-	-	-	-
20	-	77	95	116	142	171	-	-	-
30	-	75	94	115	140	169	202	240	-
40	-	74	92	113	138	166	199	237	-
50	-	-	-	111	136	164	197	234	-
60	-	-	-	-	134	162	194	231	-
65	-	-	-	-	-	-	-	-	-

Coefficient of performance (C.O.P.)

5	-	-	-	-	-	-	-	-	-
15	-	2.63	3.29	4.17	5.38	-	-	-	-
20	-	2.32	2.87	3.58	4.53	5.82	-	-	-
30	-	1.78	2.19	2.69	3.32	4.11	5.16	6.58	-
40	-	1.33	1.65	2.02	2.46	3.00	3.67	4.53	-
50	-	-	-	1.47	1.80	2.19	2.65	3.22	-
60	-	-	-	-	1.27	1.55	1.89	2.28	-
65	-	-	-	-	-	-	-	-	-

Nominal performance at to = -10 °C, tc = 45 °C

Cooling capacity	4 390	W
Power input	2 533	W
Current consumption	3.80	A
Mass flow	113	kg/h
C.O.P.	1.73	

Pressure switch settings

Maximum HP switch setting	27.4	bar(g)
Minimum LP switch setting	0.8	bar(g)
LP pump down setting	1.1	bar(g)

Sound power data

Sound power level		dB(A)
With acoustic hood		dB(A)

to: Evaporating temperature at dew point

tc: Condensing temperature at dew point

Rating conditions : Superheat = 10 K , Subcooling = 0 K

Tolerance according EN12900

Danfoss can accept no responsibility for possible errors in catalogues, brochures and other printed material. Danfoss reserves the right to alter its products without notice. This also applies to products already on order provided that such alternations can be made without subsequential changes being necessary in specifications already agreed. All trademarks in this material are property of the respective companies. Danfoss and the Danfoss logotype are trademarks of Danfoss A/S. All rights reserved.

Performance data at 85 Hz, EN 12900 rating conditions, Suction temp. = 20 °C

R449A

Cond. temp. in °C (tc)	Evaporating temperature in °C (to)								
	-30	-20	-15	-10	-5	0	5	10	20

Cooling capacity in W

5	-	-	-	-	-	-	-	-	-
15	-	3 902	4 902	6 104	7 538	-	-	-	-
20	-	3 735	4 694	5 843	7 210	8 826	-	-	-
30	-	3 399	4 278	5 322	6 559	8 016	9 724	11 719	-
40	-	-	3 846	4 788	5 896	7 197	8 719	10 495	-
50	-	-	-	4 220	5 202	6 350	7 689	9 247	-
60	-	-	-	-	-	5 457	6 614	7 955	-
65	-	-	-	-	-	-	-	-	-

Power input in W

5	-	-	-	-	-	-	-	-	-
15	-	1 481	1 490	1 466	1 404	-	-	-	-
20	-	1 603	1 630	1 628	1 593	1 518	-	-	-
30	-	1 872	1 924	1 958	1 966	1 943	1 883	1 781	-
40	-	-	2 271	2 324	2 362	2 377	2 364	2 318	-
50	-	-	-	2 766	2 819	2 858	2 879	2 874	-
60	-	-	-	-	-	3 423	3 463	3 487	-
65	-	-	-	-	-	-	-	-	-

Current consumption in A

5	-	-	-	-	-	-	-	-	-
15	-	2.50	2.50	2.43	2.28	-	-	-	-
20	-	2.65	2.69	2.66	2.57	2.42	-	-	-
30	-	2.97	3.05	3.09	3.08	3.03	2.94	2.81	-
40	-	-	3.48	3.54	3.56	3.57	3.55	3.51	-
50	-	-	-	4.11	4.13	4.15	4.16	4.17	-
60	-	-	-	-	-	4.88	4.88	4.89	-
65	-	-	-	-	-	-	-	-	-

Mass flow in kg/h

5	-	-	-	-	-	-	-	-	-
15	-	68	85	107	133	-	-	-	-
20	-	67	85	106	132	163	-	-	-
30	-	66	84	105	130	160	197	240	-
40	-	-	82	103	128	158	194	237	-
50	-	-	-	102	127	156	192	234	-
60	-	-	-	-	-	154	189	231	-
65	-	-	-	-	-	-	-	-	-

Coefficient of performance (C.O.P.)

5	-	-	-	-	-	-	-	-	-
15	-	2.63	3.29	4.16	5.37	-	-	-	-
20	-	2.33	2.88	3.59	4.53	5.81	-	-	-
30	-	1.82	2.22	2.72	3.34	4.13	5.16	6.58	-
40	-	-	1.69	2.06	2.50	3.03	3.69	4.53	-
50	-	-	-	1.53	1.85	2.22	2.67	3.22	-
60	-	-	-	-	-	1.59	1.91	2.28	-
65	-	-	-	-	-	-	-	-	-

Nominal performance at to = -10 °C, tc = 45 °C

Cooling capacity	4 509	W
Power input	2 533	W
Current consumption	3.80	A
Mass flow	102	kg/h
C.O.P.	1.78	

Pressure switch settings

Maximum HP switch setting	27.4	bar(g)
Minimum LP switch setting	0.8	bar(g)
LP pump down setting	1.1	bar(g)

Sound power data

Sound power level		dB(A)
With acoustic hood		dB(A)

to: Evaporating temperature at dew point

tc: Condensing temperature at dew point

Rating conditions : Suction gas temp. = 20 °C , Subcooling = 0 K

Tolerance according EN12900

Danfoss can accept no responsibility for possible errors in catalogues, brochures and other printed material. Danfoss reserves the right to alter its products without notice. This also applies to products already on order provided that such alternations can be made without subsequential changes being necessary in specifications already agreed. All trademarks in this material are property of the respective companies. Danfoss and the Danfoss logotype are trademarks of Danfoss A/S. All rights reserved.

Performance data at 90 Hz, EN 12900 rating conditions

R449A

Cond. temp. in °C (tc)	Evaporating temperature in °C (to)							
	-30	-20	-15	-10	-5	0	5	10

Cooling capacity in W

5	-	-	-	-	-	-	-	-	-
15	-	4 115	5 178	6 460	7 991	-	-	-	-
20	-	3 917	4 933	6 155	7 614	9 341	-	-	-
30	-	3 523	4 449	5 556	6 874	8 434	10 265	12 398	-
40	-	3 111	3 953	4 949	6 132	7 530	9 174	11 095	-
50	-	-	-	4 312	5 363	6 605	8 068	9 781	-
60	-	-	-	-	4 545	5 636	6 921	8 432	-
65	-	-	-	-	-	-	-	-	-

Power input in W

5	-	-	-	-	-	-	-	-	-
15	-	1 598	1 613	1 594	1 535	-	-	-	-
20	-	1 726	1 759	1 763	1 731	1 659	-	-	-
30	-	2 007	2 067	2 107	2 120	2 100	2 042	1 939	-
40	-	2 354	2 428	2 489	2 533	2 552	2 542	2 495	-
50	-	-	-	2 947	3 008	3 053	3 076	3 073	-
60	-	-	-	-	3 582	3 639	3 683	3 708	-
65	-	-	-	-	-	-	-	-	-

Current consumption in A

5	-	-	-	-	-	-	-	-	-
15	-	2.63	2.64	2.58	2.46	-	-	-	-
20	-	2.80	2.84	2.82	2.75	2.63	-	-	-
30	-	3.13	3.22	3.26	3.26	3.22	3.14	3.03	-
40	-	3.56	3.66	3.73	3.77	3.78	3.77	3.73	-
50	-	-	-	4.31	4.36	4.39	4.41	4.42	-
60	-	-	-	-	5.13	5.15	5.18	5.20	-
65	-	-	-	-	-	-	-	-	-

Mass flow in kg/h

5	-	-	-	-	-	-	-	-	-
15	-	81	101	124	151	-	-	-	-
20	-	81	100	123	149	181	-	-	-
30	-	80	99	121	147	178	213	254	-
40	-	78	97	120	146	176	211	251	-
50	-	-	-	118	144	174	208	248	-
60	-	-	-	-	142	171	206	245	-
65	-	-	-	-	-	-	-	-	-

Coefficient of performance (C.O.P.)

5	-	-	-	-	-	-	-	-	-
15	-	2.57	3.21	4.05	5.21	-	-	-	-
20	-	2.27	2.80	3.49	4.40	5.63	-	-	-
30	-	1.76	2.15	2.64	3.24	4.02	5.03	6.39	-
40	-	1.32	1.63	1.99	2.42	2.95	3.61	4.45	-
50	-	-	-	1.46	1.78	2.16	2.62	3.18	-
60	-	-	-	-	1.27	1.55	1.88	2.27	-
65	-	-	-	-	-	-	-	-	-

Nominal performance at to = -10 °C, tc = 45 °C

Cooling capacity	4 636	W
Power input	2 706	W
Current consumption	4.00	A
Mass flow	119	kg/h
C.O.P.	1.71	

Pressure switch settings

Maximum HP switch setting	27.4	bar(g)
Minimum LP switch setting	0.8	bar(g)
LP pump down setting	1.1	bar(g)

Sound power data

Sound power level		dB(A)
With acoustic hood		dB(A)

to: Evaporating temperature at dew point

tc: Condensing temperature at dew point

Rating conditions : Superheat = 10 K , Subcooling = 0 K

Tolerance according EN12900

Danfoss can accept no responsibility for possible errors in catalogues, brochures and other printed material. Danfoss reserves the right to alter its products without notice. This also applies to products already on order provided that such alternations can be made without subsequential changes being necessary in specifications already agreed. All trademarks in this material are property of the respective companies. Danfoss and the Danfoss logotype are trademarks of Danfoss A/S. All rights reserved.

Performance data at 90 Hz, EN 12900 rating conditions, Suction temp. = 20 °C

R449A

Cond. temp. in °C (tc)	Evaporating temperature in °C (to)								
	-30	-20	-15	-10	-5	0	5	10	20

Cooling capacity in W

5	-	-	-	-	-	-	-	-	-
15	-	4 118	5 173	6 445	7 967	-	-	-	-
20	-	3 941	4 950	6 164	7 612	9 328	-	-	-
30	-	3 588	4 511	5 610	6 916	8 459	10 274	12 398	-
40	-	-	4 061	5 051	6 219	7 594	9 208	11 095	-
50	-	-	-	4 462	5 497	6 709	8 127	9 781	-
60	-	-	-	-	-	5 782	7 008	8 432	-
65	-	-	-	-	-	-	-	-	-

Power input in W

5	-	-	-	-	-	-	-	-	-
15	-	1 598	1 613	1 594	1 535	-	-	-	-
20	-	1 726	1 759	1 763	1 731	1 659	-	-	-
30	-	2 007	2 067	2 107	2 120	2 100	2 042	1 939	-
40	-	-	2 428	2 489	2 533	2 552	2 542	2 495	-
50	-	-	-	2 947	3 008	3 053	3 076	3 073	-
60	-	-	-	-	-	3 639	3 683	3 708	-
65	-	-	-	-	-	-	-	-	-

Current consumption in A

5	-	-	-	-	-	-	-	-	-
15	-	2.63	2.64	2.58	2.46	-	-	-	-
20	-	2.80	2.84	2.82	2.75	2.63	-	-	-
30	-	3.13	3.22	3.26	3.26	3.22	3.14	3.03	-
40	-	-	3.66	3.73	3.77	3.78	3.77	3.73	-
50	-	-	-	4.31	4.36	4.39	4.41	4.42	-
60	-	-	-	-	-	5.15	5.18	5.20	-
65	-	-	-	-	-	-	-	-	-

Mass flow in kg/h

5	-	-	-	-	-	-	-	-	-
15	-	71	90	113	140	-	-	-	-
20	-	71	89	112	139	172	-	-	-
30	-	70	88	110	137	169	208	254	-
40	-	-	87	109	135	167	205	251	-
50	-	-	-	107	134	165	203	248	-
60	-	-	-	-	-	163	200	245	-
65	-	-	-	-	-	-	-	-	-

Coefficient of performance (C.O.P.)

5	-	-	-	-	-	-	-	-	-
15	-	2.58	3.21	4.04	5.19	-	-	-	-
20	-	2.28	2.81	3.50	4.40	5.62	-	-	-
30	-	1.79	2.18	2.66	3.26	4.03	5.03	6.39	-
40	-	-	1.67	2.03	2.46	2.98	3.62	4.45	-
50	-	-	-	1.51	1.83	2.20	2.64	3.18	-
60	-	-	-	-	-	1.59	1.90	2.27	-
65	-	-	-	-	-	-	-	-	-

Nominal performance at to = -10 °C, tc = 45 °C

Cooling capacity	4 762	W
Power input	2 706	W
Current consumption	4.00	A
Mass flow	108	kg/h
C.O.P.	1.76	

Pressure switch settings

Maximum HP switch setting	27.4	bar(g)
Minimum LP switch setting	0.8	bar(g)
LP pump down setting	1.1	bar(g)

Sound power data

Sound power level		dB(A)
With acoustic hood		dB(A)

to: Evaporating temperature at dew point

tc: Condensing temperature at dew point

Rating conditions : Suction gas temp. = 20 °C , Subcooling = 0 K

Tolerance according EN12900

Danfoss can accept no responsibility for possible errors in catalogues, brochures and other printed material. Danfoss reserves the right to alter its products without notice. This also applies to products already on order provided that such alternations can be made without subsequential changes being necessary in specifications already agreed. All trademarks in this material are property of the respective companies. Danfoss and the Danfoss logotype are trademarks of Danfoss A/S. All rights reserved.

Performance data at 95 Hz, EN 12900 rating conditions

R449A

Cond. temp. in °C (tc)	Evaporating temperature in °C (to)								
	-30	-20	-15	-10	-5	0	5	10	20

Cooling capacity in W

5	-	-	-	-	-	-	-	-	-
15	-	4 328	5 446	6 798	8 419	-	-	-	-
20	-	4 118	5 184	6 471	8 012	9 840	-	-	-
30	-	3 706	4 675	5 836	7 224	8 870	10 810	13 075	-
40	-	3 279	4 159	5 204	6 446	7 919	9 656	11 691	-
50	-	-	-	4 543	5 648	6 956	8 499	10 312	-
60	-	-	-	-	4 802	5 952	7 310	8 909	-
65	-	-	-	-	-	-	-	-	-

Power input in W

5	-	-	-	-	-	-	-	-	-
15	-	1 720	1 742	1 728	1 673	-	-	-	-
20	-	1 853	1 894	1 904	1 877	1 807	-	-	-
30	-	2 145	2 214	2 261	2 280	2 264	2 208	2 105	-
40	-	2 505	2 588	2 658	2 708	2 733	2 725	2 679	-
50	-	-	-	3 133	3 201	3 251	3 278	3 276	-
60	-	-	-	-	3 794	3 857	3 905	3 932	-
65	-	-	-	-	-	-	-	-	-

Current consumption in A

5	-	-	-	-	-	-	-	-	-
15	-	2.77	2.78	2.74	2.66	-	-	-	-
20	-	2.95	2.98	2.98	2.94	2.85	-	-	-
30	-	3.30	3.38	3.43	3.45	3.43	3.36	3.26	-
40	-	3.71	3.83	3.92	3.97	4.00	3.99	3.95	-
50	-	-	-	4.50	4.59	4.64	4.67	4.67	-
60	-	-	-	-	5.36	5.43	5.48	5.51	-
65	-	-	-	-	-	-	-	-	-

Mass flow in kg/h

5	-	-	-	-	-	-	-	-	-
15	-	86	106	130	159	-	-	-	-
20	-	85	105	129	157	190	-	-	-
30	-	84	104	127	155	187	225	268	-
40	-	82	102	126	153	185	222	264	-
50	-	-	-	124	151	183	219	261	-
60	-	-	-	-	150	181	217	259	-
65	-	-	-	-	-	-	-	-	-

Coefficient of performance (C.O.P.)

5	-	-	-	-	-	-	-	-	-
15	-	2.52	3.13	3.93	5.03	-	-	-	-
20	-	2.22	2.74	3.40	4.27	5.44	-	-	-
30	-	1.73	2.11	2.58	3.17	3.92	4.90	6.21	-
40	-	1.31	1.61	1.96	2.38	2.90	3.54	4.36	-
50	-	-	-	1.45	1.76	2.14	2.59	3.15	-
60	-	-	-	-	1.27	1.54	1.87	2.27	-
65	-	-	-	-	-	-	-	-	-

Nominal performance at to = -10 °C, tc = 45 °C

Cooling capacity	4 879	W
Power input	2 884	W
Current consumption	4.19	A
Mass flow	125	kg/h
C.O.P.	1.69	

Pressure switch settings

Maximum HP switch setting	27.4	bar(g)
Minimum LP switch setting	0.8	bar(g)
LP pump down setting	1.1	bar(g)

Sound power data

Sound power level		dB(A)
With acoustic hood		dB(A)

to: Evaporating temperature at dew point

tc: Condensing temperature at dew point

Rating conditions : Superheat = 10 K , Subcooling = 0 K

Tolerance according EN12900

Danfoss can accept no responsibility for possible errors in catalogues, brochures and other printed material. Danfoss reserves the right to alter its products without notice. This also applies to products already on order provided that such alternations can be made without subsequential changes being necessary in specifications already agreed. All trademarks in this material are property of the respective companies. Danfoss and the Danfoss logotype are trademarks of Danfoss A/S. All rights reserved.

Performance data at 95 Hz, EN 12900 rating conditions, Suction temp. = 20 °C

R449A

Cond. temp. in °C (tc)	Evaporating temperature in °C (to)								
	-30	-20	-15	-10	-5	0	5	10	20

Cooling capacity in W

5	-	-	-	-	-	-	-	-	-
15	-	4 331	5 441	6 783	8 393	-	-	-	-
20	-	4 143	5 202	6 480	8 009	9 827	-	-	-
30	-	3 774	4 740	5 893	7 267	8 897	10 819	13 075	-
40	-	-	4 273	5 310	6 537	7 986	9 691	11 691	-
50	-	-	-	4 702	5 789	7 065	8 562	10 312	-
60	-	-	-	-	-	6 107	7 402	8 909	-
65	-	-	-	-	-	-	-	-	-

Power input in W

5	-	-	-	-	-	-	-	-	-
15	-	1 720	1 742	1 728	1 673	-	-	-	-
20	-	1 853	1 894	1 904	1 877	1 807	-	-	-
30	-	2 145	2 214	2 261	2 280	2 264	2 208	2 105	-
40	-	-	2 588	2 658	2 708	2 733	2 725	2 679	-
50	-	-	-	3 133	3 201	3 251	3 278	3 276	-
60	-	-	-	-	-	3 857	3 905	3 932	-
65	-	-	-	-	-	-	-	-	-

Current consumption in A

5	-	-	-	-	-	-	-	-	-
15	-	2.77	2.78	2.74	2.66	-	-	-	-
20	-	2.95	2.98	2.98	2.94	2.85	-	-	-
30	-	3.30	3.38	3.43	3.45	3.43	3.36	3.26	-
40	-	-	3.83	3.92	3.97	4.00	3.99	3.95	-
50	-	-	-	4.50	4.59	4.64	4.67	4.67	-
60	-	-	-	-	-	5.43	5.48	5.51	-
65	-	-	-	-	-	-	-	-	-

Mass flow in kg/h

5	-	-	-	-	-	-	-	-	-
15	-	75	95	119	148	-	-	-	-
20	-	74	94	118	146	181	-	-	-
30	-	73	93	116	144	178	219	268	-
40	-	-	91	115	142	176	216	264	-
50	-	-	-	113	141	174	213	261	-
60	-	-	-	-	-	172	211	259	-
65	-	-	-	-	-	-	-	-	-

Coefficient of performance (C.O.P.)

5	-	-	-	-	-	-	-	-	-
15	-	2.52	3.12	3.93	5.02	-	-	-	-
20	-	2.24	2.75	3.40	4.27	5.44	-	-	-
30	-	1.76	2.14	2.61	3.19	3.93	4.90	6.21	-
40	-	-	1.65	2.00	2.41	2.92	3.56	4.36	-
50	-	-	-	1.50	1.81	2.17	2.61	3.15	-
60	-	-	-	-	-	1.58	1.90	2.27	-
65	-	-	-	-	-	-	-	-	-

Nominal performance at to = -10 °C, tc = 45 °C

Cooling capacity	5 011	W
Power input	2 884	W
Current consumption	4.19	A
Mass flow	114	kg/h
C.O.P.	1.74	

Pressure switch settings

Maximum HP switch setting	27.4	bar(g)
Minimum LP switch setting	0.8	bar(g)
LP pump down setting	1.1	bar(g)

Sound power data

Sound power level		dB(A)
With acoustic hood		dB(A)

to: Evaporating temperature at dew point

tc: Condensing temperature at dew point

Rating conditions : Suction gas temp. = 20 °C , Subcooling = 0 K

Tolerance according EN12900

Danfoss can accept no responsibility for possible errors in catalogues, brochures and other printed material. Danfoss reserves the right to alter its products without notice. This also applies to products already on order provided that such alternations can be made without subsequential changes being necessary in specifications already agreed. All trademarks in this material are property of the respective companies. Danfoss and the Danfoss logotype are trademarks of Danfoss A/S. All rights reserved.

Performance data at 100 Hz, EN 12900 rating conditions

R449A

Cond. temp. in °C (tc)	Evaporating temperature in °C (to)							
	-30	-20	-15	-10	-5	0	5	10

Cooling capacity in W

5	-	-	-	-	-	-	-	-	-
15	-	4 539	5 710	7 133	8 843	-	-	-	-
20	-	4 316	5 432	6 782	8 405	10 336	-	-	-
30	-	3 886	4 897	6 112	7 568	9 302	11 350	13 749	-
40	-	3 444	4 363	5 454	6 755	8 303	10 133	12 284	-
50	-	-	-	4 773	5 931	7 303	8 928	10 841	-
60	-	-	-	-	5 059	6 268	7 698	9 386	-
65	-	-	-	-	-	-	-	-	-

Power input in W

5	-	-	-	-	-	-	-	-	-
15	-	1 847	1 876	1 869	1 819	-	-	-	-
20	-	1 985	2 033	2 050	2 029	1 964	-	-	-
30	-	2 288	2 366	2 421	2 446	2 434	2 381	2 279	-
40	-	2 658	2 753	2 832	2 889	2 919	2 914	2 869	-
50	-	-	-	3 321	3 397	3 454	3 485	3 483	-
60	-	-	-	-	4 008	4 078	4 130	4 159	-
65	-	-	-	-	-	-	-	-	-

Current consumption in A

5	-	-	-	-	-	-	-	-	-
15	-	2.91	2.92	2.91	2.87	-	-	-	-
20	-	3.10	3.13	3.14	3.13	3.08	-	-	-
30	-	3.46	3.55	3.61	3.64	3.63	3.59	3.50	-
40	-	3.86	4.00	4.11	4.18	4.22	4.22	4.17	-
50	-	-	-	4.69	4.82	4.90	4.94	4.93	-
60	-	-	-	-	5.59	5.72	5.80	5.83	-
65	-	-	-	-	-	-	-	-	-

Mass flow in kg/h

5	-	-	-	-	-	-	-	-	-
15	-	90	111	137	167	-	-	-	-
20	-	89	110	135	165	200	-	-	-
30	-	88	109	133	162	196	236	282	-
40	-	87	107	132	160	194	233	277	-
50	-	-	-	131	159	192	230	274	-
60	-	-	-	-	158	191	229	272	-
65	-	-	-	-	-	-	-	-	-

Coefficient of performance (C.O.P.)

5	-	-	-	-	-	-	-	-	-
15	-	2.46	3.04	3.82	4.86	-	-	-	-
20	-	2.17	2.67	3.31	4.14	5.26	-	-	-
30	-	1.70	2.07	2.52	3.09	3.82	4.77	6.03	-
40	-	1.30	1.58	1.93	2.34	2.84	3.48	4.28	-
50	-	-	-	1.44	1.75	2.11	2.56	3.11	-
60	-	-	-	-	1.26	1.54	1.86	2.26	-
65	-	-	-	-	-	-	-	-	-

Nominal performance at to = -10 °C, tc = 45 °C

Cooling capacity	5 119	W
Power input	3 064	W
Current consumption	4.39	A
Mass flow	131	kg/h
C.O.P.	1.67	

Pressure switch settings

Maximum HP switch setting	27.4	bar(g)
Minimum LP switch setting	0.8	bar(g)
LP pump down setting	1.1	bar(g)

Sound power data

Sound power level		dB(A)
With acoustic hood		dB(A)

to: Evaporating temperature at dew point

tc: Condensing temperature at dew point

Rating conditions : Superheat = 10 K , Subcooling = 0 K

Tolerance according EN12900

Danfoss can accept no responsibility for possible errors in catalogues, brochures and other printed material. Danfoss reserves the right to alter its products without notice. This also applies to products already on order provided that such alternations can be made without subsequential changes being necessary in specifications already agreed. All trademarks in this material are property of the respective companies. Danfoss and the Danfoss logotype are trademarks of Danfoss A/S. All rights reserved.

Performance data at 100 Hz, EN 12900 rating conditions, Suction temp. = 20 °C
R449A

Cond. temp. in °C (tc)	Evaporating temperature in °C (to)								
	-30	-20	-15	-10	-5	0	5	10	20

Cooling capacity in W

5	-	-	-	-	-	-	-	-	-
15	-	4 542	5 705	7 117	8 816	-	-	-	-
20	-	4 342	5 451	6 791	8 402	10 322	-	-	-
30	-	3 958	4 965	6 172	7 614	9 330	11 360	13 749	-
40	-	-	4 482	5 566	6 851	8 373	10 170	12 284	-
50	-	-	-	4 939	6 078	7 418	8 993	10 841	-
60	-	-	-	-	-	6 431	7 795	9 386	-
65	-	-	-	-	-	-	-	-	-

Power input in W

5	-	-	-	-	-	-	-	-	-
15	-	1 847	1 876	1 869	1 819	-	-	-	-
20	-	1 985	2 033	2 050	2 029	1 964	-	-	-
30	-	2 288	2 366	2 421	2 446	2 434	2 381	2 279	-
40	-	-	2 753	2 832	2 889	2 919	2 914	2 869	-
50	-	-	-	3 321	3 397	3 454	3 485	3 483	-
60	-	-	-	-	-	4 078	4 130	4 159	-
65	-	-	-	-	-	-	-	-	-

Current consumption in A

5	-	-	-	-	-	-	-	-	-
15	-	2.91	2.92	2.91	2.87	-	-	-	-
20	-	3.10	3.13	3.14	3.13	3.08	-	-	-
30	-	3.46	3.55	3.61	3.64	3.63	3.59	3.50	-
40	-	-	4.00	4.11	4.18	4.22	4.22	4.17	-
50	-	-	-	4.69	4.82	4.90	4.94	4.93	-
60	-	-	-	-	-	5.72	5.80	5.83	-
65	-	-	-	-	-	-	-	-	-

Mass flow in kg/h

5	-	-	-	-	-	-	-	-	-
15	-	79	99	125	155	-	-	-	-
20	-	78	98	123	153	190	-	-	-
30	-	77	97	121	151	187	230	282	-
40	-	-	96	120	149	184	226	277	-
50	-	-	-	119	148	183	224	274	-
60	-	-	-	-	-	181	223	272	-
65	-	-	-	-	-	-	-	-	-

Coefficient of performance (C.O.P.)

5	-	-	-	-	-	-	-	-	-
15	-	2.46	3.04	3.81	4.85	-	-	-	-
20	-	2.19	2.68	3.31	4.14	5.26	-	-	-
30	-	1.73	2.10	2.55	3.11	3.83	4.77	6.03	-
40	-	-	1.63	1.97	2.37	2.87	3.49	4.28	-
50	-	-	-	1.49	1.79	2.15	2.58	3.11	-
60	-	-	-	-	-	1.58	1.89	2.26	-
65	-	-	-	-	-	-	-	-	-

Nominal performance at to = -10 °C, tc = 45 °C

Cooling capacity	5 257	W
Power input	3 064	W
Current consumption	4.39	A
Mass flow	120	kg/h
C.O.P.	1.72	

Pressure switch settings

Maximum HP switch setting	27.4	bar(g)
Minimum LP switch setting	0.8	bar(g)
LP pump down setting	1.1	bar(g)

Sound power data

Sound power level		dB(A)
With acoustic hood		dB(A)

to: Evaporating temperature at dew point

tc: Condensing temperature at dew point

Rating conditions : Suction gas temp. = 20 °C , Subcooling = 0 K

Tolerance according EN12900

Danfoss can accept no responsibility for possible errors in catalogues, brochures and other printed material. Danfoss reserves the right to alter its products without notice. This also applies to products already on order provided that such alternations can be made without subsequential changes being necessary in specifications already agreed. All trademarks in this material are property of the respective companies. Danfoss and the Danfoss logotype are trademarks of Danfoss A/S. All rights reserved.

Performance data at 30 Hz, EN 12900 rating conditions

R404A

Cond. temp. in °C (tc)	Evaporating temperature in °C (to)							
	-25	-20	-15	-10	-5	0	5	10

Cooling capacity in W

5	-	-	-	-	-	-	-	-	-
15	1 184	1 506	1 891	2 347	2 881	-	-	-	-
20	1 108	1 418	1 787	2 224	2 736	3 330	-	-	-
30	952	1 234	1 569	1 964	2 426	2 964	3 583	4 293	-
40	-	-	1 335	1 682	2 090	2 566	3 116	3 749	-
50	-	-	-	-	-	-	-	-	-
55	-	-	-	-	-	-	-	-	-
60	-	-	-	-	-	-	-	-	-

Power input in W

5	-	-	-	-	-	-	-	-	-
15	554	556	549	531	498	-	-	-	-
20	600	605	604	593	570	532	-	-	-
30	708	718	724	724	716	696	663	612	-
40	-	-	871	876	877	870	853	823	-
50	-	-	-	-	-	-	-	-	-
55	-	-	-	-	-	-	-	-	-
60	-	-	-	-	-	-	-	-	-

Current consumption in A

5	-	-	-	-	-	-	-	-	-
15	1.18	1.17	1.15	1.12	1.07	-	-	-	-
20	1.25	1.24	1.24	1.22	1.18	1.13	-	-	-
30	1.41	1.41	1.41	1.41	1.40	1.37	1.32	1.25	-
40	-	-	1.63	1.63	1.63	1.62	1.60	1.55	-
50	-	-	-	-	-	-	-	-	-
55	-	-	-	-	-	-	-	-	-
60	-	-	-	-	-	-	-	-	-

Mass flow in kg/h

5	-	-	-	-	-	-	-	-	-
15	30	38	47	57	68	-	-	-	-
20	30	38	47	57	68	81	-	-	-
30	29	37	46	56	68	81	96	113	-
40	-	-	45	55	67	80	95	112	-
50	-	-	-	-	-	-	-	-	-
55	-	-	-	-	-	-	-	-	-
60	-	-	-	-	-	-	-	-	-

Coefficient of performance (C.O.P.)

5	-	-	-	-	-	-	-	-	-
15	2.14	2.71	3.44	4.42	5.79	-	-	-	-
20	1.85	2.34	2.96	3.75	4.80	6.26	-	-	-
30	1.34	1.72	2.17	2.71	3.39	4.26	5.41	7.01	-
40	-	-	1.53	1.92	2.38	2.95	3.65	4.56	-
50	-	-	-	-	-	-	-	-	-
55	-	-	-	-	-	-	-	-	-
60	-	-	-	-	-	-	-	-	-

Nominal performance at to = -10 °C, tc = 45 °C

Cooling capacity	-	W
Power input	-	W
Current consumption	-	A
Mass flow	-	kg/h
C.O.P.	-	

Pressure switch settings

Maximum HP switch setting	29.7	bar(g)
Minimum LP switch setting	1.3	bar(g)
LP pump down setting	1.6	bar(g)

Sound power data

Sound power level		dB(A)
With acoustic hood		dB(A)

to: Evaporating temperature at dew point

tc: Condensing temperature at dew point

Rating conditions : Superheat = 10 K , Subcooling = 0 K

Tolerance according EN12900

Danfoss can accept no responsibility for possible errors in catalogues, brochures and other printed material. Danfoss reserves the right to alter its products without notice. This also applies to products already on order provided that such alternations can be made without subsequential changes being necessary in specifications already agreed. All trademarks in this material are property of the respective companies. Danfoss and the Danfoss logotype are trademarks of Danfoss A/S. All rights reserved.

Performance data at 30 Hz, EN 12900 rating conditions, Suction temp. = 20 °C

R404A

Cond. temp. in °C (tc)	Evaporating temperature in °C (to)							
	-25	-20	-15	-10	-5	0	5	10

Cooling capacity in W

5	-	-	-	-	-	-	-	-	-
15	1 235	1 557	1 940	2 391	2 916	-	-	-	-
20	1 167	1 479	1 847	2 279	2 781	3 362	-	-	-
30	1 027	1 314	1 650	2 041	2 493	3 014	3 610	4 293	-
40	-	-	1 437	1 781	2 178	2 634	3 155	3 749	-
50	-	-	-	-	-	-	-	-	-
55	-	-	-	-	-	-	-	-	-
60	-	-	-	-	-	-	-	-	-

Power input in W

5	-	-	-	-	-	-	-	-	-
15	554	556	549	531	498	-	-	-	-
20	600	605	604	593	570	532	-	-	-
30	708	718	724	724	716	696	663	612	-
40	-	-	871	876	877	870	853	823	-
50	-	-	-	-	-	-	-	-	-
55	-	-	-	-	-	-	-	-	-
60	-	-	-	-	-	-	-	-	-

Current consumption in A

5	-	-	-	-	-	-	-	-	-
15	1.18	1.17	1.15	1.12	1.07	-	-	-	-
20	1.25	1.24	1.24	1.22	1.18	1.13	-	-	-
30	1.41	1.41	1.41	1.41	1.40	1.37	1.32	1.25	-
40	-	-	1.63	1.63	1.63	1.62	1.60	1.55	-
50	-	-	-	-	-	-	-	-	-
55	-	-	-	-	-	-	-	-	-
60	-	-	-	-	-	-	-	-	-

Mass flow in kg/h

5	-	-	-	-	-	-	-	-	-
15	26	33	41	51	63	-	-	-	-
20	26	33	41	51	63	77	-	-	-
30	25	32	41	51	63	77	93	113	-
40	-	-	40	50	62	76	92	112	-
50	-	-	-	-	-	-	-	-	-
55	-	-	-	-	-	-	-	-	-
60	-	-	-	-	-	-	-	-	-

Coefficient of performance (C.O.P.)

5	-	-	-	-	-	-	-	-	-
15	2.23	2.80	3.53	4.51	5.86	-	-	-	-
20	1.95	2.44	3.06	3.84	4.88	6.32	-	-	-
30	1.45	1.83	2.28	2.82	3.48	4.33	5.45	7.01	-
40	-	-	1.65	2.03	2.48	3.03	3.70	4.56	-
50	-	-	-	-	-	-	-	-	-
55	-	-	-	-	-	-	-	-	-
60	-	-	-	-	-	-	-	-	-

Nominal performance at to = -10 °C, tc = 45 °C

Cooling capacity	-	W
Power input	-	W
Current consumption	-	A
Mass flow	-	kg/h
C.O.P.	-	

Pressure switch settings

Maximum HP switch setting	29.7	bar(g)
Minimum LP switch setting	1.3	bar(g)
LP pump down setting	1.6	bar(g)

Sound power data

Sound power level		dB(A)
With accoustic hood		dB(A)

to: Evaporating temperature at dew point

tc: Condensing temperature at dew point

Rating conditions : Suction gas temp. = 20 °C , Subcooling = 0 K

Tolerance according EN12900

Danfoss can accept no responsibility for possible errors in catalogues, brochures and other printed material. Danfoss reserves the right to alter its products without notice. This also applies to products already on order provided that such alternations can be made without subsequential changes being necessary in specifications already agreed. All trademarks in this material are property of the respective companies. Danfoss and the Danfoss logotype are trademarks of Danfoss A/S. All rights reserved.

Performance data at 35 Hz, EN 12900 rating conditions

R404A

Cond. temp. in °C (tc)	Evaporating temperature in °C (to)							
	-25	-20	-15	-10	-5	0	5	10

Cooling capacity in W

5	-	-	-	-	-	-	-	-	-
15	1 411	1 791	2 245	2 783	3 413	-	-	-	-
20	1 318	1 682	2 117	2 631	3 232	3 930	-	-	-
30	1 130	1 461	1 853	2 316	2 857	3 487	4 213	5 044	-
40	-	-	1 577	1 983	2 460	3 016	3 660	4 401	-
50	-	-	-	-	-	-	-	-	-
55	-	-	-	-	-	-	-	-	-
60	-	-	-	-	-	-	-	-	-

Power input in W

5	-	-	-	-	-	-	-	-	-
15	636	640	632	610	571	-	-	-	-
20	687	696	696	684	656	609	-	-	-
30	811	824	834	835	825	802	761	699	-
40	-	-	999	1 007	1 009	1 001	980	943	-
50	-	-	-	-	-	-	-	-	-
55	-	-	-	-	-	-	-	-	-
60	-	-	-	-	-	-	-	-	-

Current consumption in A

5	-	-	-	-	-	-	-	-	-
15	1.29	1.29	1.27	1.23	1.16	-	-	-	-
20	1.38	1.38	1.38	1.35	1.30	1.23	-	-	-
30	1.56	1.58	1.59	1.59	1.56	1.52	1.46	1.37	-
40	-	-	1.84	1.85	1.84	1.82	1.77	1.71	-
50	-	-	-	-	-	-	-	-	-
55	-	-	-	-	-	-	-	-	-
60	-	-	-	-	-	-	-	-	-

Mass flow in kg/h

5	-	-	-	-	-	-	-	-	-
15	36	45	55	67	81	-	-	-	-
20	36	45	55	67	81	96	-	-	-
30	35	44	54	66	80	95	113	132	-
40	-	-	53	65	78	94	111	131	-
50	-	-	-	-	-	-	-	-	-
55	-	-	-	-	-	-	-	-	-
60	-	-	-	-	-	-	-	-	-

Coefficient of performance (C.O.P.)

5	-	-	-	-	-	-	-	-	-
15	2.22	2.80	3.55	4.56	5.98	-	-	-	-
20	1.92	2.42	3.04	3.85	4.93	6.45	-	-	-
30	1.39	1.77	2.22	2.77	3.46	4.35	5.54	7.22	-
40	-	-	1.58	1.97	2.44	3.01	3.74	4.67	-
50	-	-	-	-	-	-	-	-	-
55	-	-	-	-	-	-	-	-	-
60	-	-	-	-	-	-	-	-	-

Nominal performance at to = -10 °C, tc = 45 °C

Cooling capacity	-	W
Power input	-	W
Current consumption	-	A
Mass flow	-	kg/h
C.O.P.	-	

Pressure switch settings

Maximum HP switch setting	29.7	bar(g)
Minimum LP switch setting	1.3	bar(g)
LP pump down setting	1.6	bar(g)

Sound power data

Sound power level		dB(A)
With acoustic hood		dB(A)

to: Evaporating temperature at dew point

tc: Condensing temperature at dew point

Rating conditions : Superheat = 10 K , Subcooling = 0 K

Tolerance according EN12900

Danfoss can accept no responsibility for possible errors in catalogues, brochures and other printed material. Danfoss reserves the right to alter its products without notice. This also applies to products already on order provided that such alternations can be made without subsequential changes being necessary in specifications already agreed. All trademarks in this material are property of the respective companies. Danfoss and the Danfoss logotype are trademarks of Danfoss A/S. All rights reserved.

Performance data at 35 Hz, EN 12900 rating conditions, Suction temp. = 20 °C

R404A

Cond. temp. in °C (tc)	Evaporating temperature in °C (to)								
	-25	-20	-15	-10	-5	0	5	10	20

Cooling capacity in W

5	-	-	-	-	-	-	-	-	-
15	1 471	1 852	2 304	2 835	3 455	-	-	-	-
20	1 387	1 755	2 188	2 696	3 286	3 968	-	-	-
30	1 220	1 556	1 949	2 406	2 936	3 546	4 245	5 044	-
40	-	-	1 697	2 100	2 564	3 097	3 706	4 401	-
50	-	-	-	-	-	-	-	-	-
55	-	-	-	-	-	-	-	-	-
60	-	-	-	-	-	-	-	-	-

Power input in W

5	-	-	-	-	-	-	-	-	-
15	636	640	632	610	571	-	-	-	-
20	687	696	696	684	656	609	-	-	-
30	811	824	834	835	825	802	761	699	-
40	-	-	999	1 007	1 009	1 001	980	943	-
50	-	-	-	-	-	-	-	-	-
55	-	-	-	-	-	-	-	-	-
60	-	-	-	-	-	-	-	-	-

Current consumption in A

5	-	-	-	-	-	-	-	-	-
15	1.29	1.29	1.27	1.23	1.16	-	-	-	-
20	1.38	1.38	1.38	1.35	1.30	1.23	-	-	-
30	1.56	1.58	1.59	1.59	1.56	1.52	1.46	1.37	-
40	-	-	1.84	1.85	1.84	1.82	1.77	1.71	-
50	-	-	-	-	-	-	-	-	-
55	-	-	-	-	-	-	-	-	-
60	-	-	-	-	-	-	-	-	-

Mass flow in kg/h

5	-	-	-	-	-	-	-	-	-
15	31	39	49	61	75	-	-	-	-
20	31	39	49	61	75	91	-	-	-
30	30	38	48	60	74	90	109	132	-
40	-	-	47	59	73	89	108	131	-
50	-	-	-	-	-	-	-	-	-
55	-	-	-	-	-	-	-	-	-
60	-	-	-	-	-	-	-	-	-

Coefficient of performance (C.O.P.)

5	-	-	-	-	-	-	-	-	-
15	2.31	2.90	3.65	4.65	6.05	-	-	-	-
20	2.02	2.52	3.14	3.94	5.01	6.51	-	-	-
30	1.50	1.89	2.34	2.88	3.56	4.42	5.58	7.22	-
40	-	-	1.70	2.08	2.54	3.09	3.78	4.67	-
50	-	-	-	-	-	-	-	-	-
55	-	-	-	-	-	-	-	-	-
60	-	-	-	-	-	-	-	-	-

Nominal performance at to = -10 °C, tc = 45 °C

Cooling capacity	-	W
Power input	-	W
Current consumption	-	A
Mass flow	-	kg/h
C.O.P.	-	

Pressure switch settings

Maximum HP switch setting	29.7	bar(g)
Minimum LP switch setting	1.3	bar(g)
LP pump down setting	1.6	bar(g)

Sound power data

Sound power level		dB(A)
With accoustic hood		dB(A)

to: Evaporating temperature at dew point

tc: Condensing temperature at dew point

Rating conditions : Suction gas temp. = 20 °C , Subcooling = 0 K

Tolerance according EN12900

Danfoss can accept no responsibility for possible errors in catalogues, brochures and other printed material. Danfoss reserves the right to alter its products without notice. This also applies to products already on order provided that such alternations can be made without subsequential changes being necessary in specifications already agreed. All trademarks in this material are property of the respective companies. Danfoss and the Danfoss logotype are trademarks of Danfoss A/S. All rights reserved.

Performance data at 40 Hz, EN 12900 rating conditions

R404A

Cond. temp. in °C (tc)	Evaporating temperature in °C (to)							
	-25	-20	-15	-10	-5	0	5	10

Cooling capacity in W

5	-	-	-	-	-	-	-	-	-
15	1 636	2 073	2 596	3 214	3 938	-	-	-	-
20	1 525	1 944	2 444	3 034	3 724	4 525	-	-	-
30	1 308	1 687	2 136	2 666	3 286	4 007	4 839	5 791	-
40	-	-	1 818	2 283	2 829	3 466	4 203	5 050	-
50	-	-	-	-	-	-	-	-	-
55	-	-	-	-	-	-	-	-	-
60	-	-	-	-	-	-	-	-	-

Power input in W

5	-	-	-	-	-	-	-	-	-
15	721	728	720	695	649	-	-	-	-
20	780	792	793	779	747	693	-	-	-
30	918	935	948	951	940	913	865	792	-
40	-	-	1 132	1 143	1 146	1 138	1 114	1 070	-
50	-	-	-	-	-	-	-	-	-
55	-	-	-	-	-	-	-	-	-
60	-	-	-	-	-	-	-	-	-

Current consumption in A

5	-	-	-	-	-	-	-	-	-
15	1.41	1.41	1.39	1.34	1.26	-	-	-	-
20	1.51	1.53	1.52	1.48	1.43	1.34	-	-	-
30	1.73	1.76	1.77	1.76	1.73	1.68	1.60	1.50	-
40	-	-	2.05	2.06	2.04	2.01	1.96	1.88	-
50	-	-	-	-	-	-	-	-	-
55	-	-	-	-	-	-	-	-	-
60	-	-	-	-	-	-	-	-	-

Mass flow in kg/h

5	-	-	-	-	-	-	-	-	-
15	42	52	64	78	93	-	-	-	-
20	41	52	64	77	93	111	-	-	-
30	40	51	62	76	92	109	129	152	-
40	-	-	61	75	90	108	128	150	-
50	-	-	-	-	-	-	-	-	-
55	-	-	-	-	-	-	-	-	-
60	-	-	-	-	-	-	-	-	-

Coefficient of performance (C.O.P.)

5	-	-	-	-	-	-	-	-	-
15	2.27	2.85	3.60	4.62	6.07	-	-	-	-
20	1.96	2.46	3.08	3.89	4.98	6.53	-	-	-
30	1.43	1.80	2.25	2.80	3.49	4.39	5.59	7.31	-
40	-	-	1.61	2.00	2.47	3.05	3.77	4.72	-
50	-	-	-	-	-	-	-	-	-
55	-	-	-	-	-	-	-	-	-
60	-	-	-	-	-	-	-	-	-

Nominal performance at to = -10 °C, tc = 45 °C

Cooling capacity	-	W
Power input	-	W
Current consumption	-	A
Mass flow	-	kg/h
C.O.P.	-	

Pressure switch settings

Maximum HP switch setting	29.7	bar(g)
Minimum LP switch setting	1.3	bar(g)
LP pump down setting	1.6	bar(g)

Sound power data

Sound power level		dB(A)
With accoustic hood		dB(A)

to: Evaporating temperature at dew point

tc: Condensing temperature at dew point

Rating conditions : Superheat = 10 K , Subcooling = 0 K

Tolerance according EN12900

Danfoss can accept no responsibility for possible errors in catalogues, brochures and other printed material. Danfoss reserves the right to alter its products without notice. This also applies to products already on order provided that such alternations can be made without subsequential changes being necessary in specifications already agreed. All trademarks in this material are property of the respective companies. Danfoss and the Danfoss logotype are trademarks of Danfoss A/S. All rights reserved.

Performance data at 40 Hz, EN 12900 rating conditions, Suction temp. = 20 °C

R404A

Cond. temp. in °C (tc)	Evaporating temperature in °C (to)								
	-25	-20	-15	-10	-5	0	5	10	20

Cooling capacity in W

5	-	-	-	-	-	-	-	-	-
15	1 705	2 144	2 664	3 275	3 986	-	-	-	-
20	1 606	2 028	2 526	3 109	3 786	4 569	-	-	-
30	1 411	1 796	2 246	2 770	3 377	4 075	4 875	5 791	-
40	-	-	1 957	2 417	2 948	3 558	4 255	5 050	-
50	-	-	-	-	-	-	-	-	-
55	-	-	-	-	-	-	-	-	-
60	-	-	-	-	-	-	-	-	-

Power input in W

5	-	-	-	-	-	-	-	-	-
15	721	728	720	695	649	-	-	-	-
20	780	792	793	779	747	693	-	-	-
30	918	935	948	951	940	913	865	792	-
40	-	-	1 132	1 143	1 146	1 138	1 114	1 070	-
50	-	-	-	-	-	-	-	-	-
55	-	-	-	-	-	-	-	-	-
60	-	-	-	-	-	-	-	-	-

Current consumption in A

5	-	-	-	-	-	-	-	-	-
15	1.41	1.41	1.39	1.34	1.26	-	-	-	-
20	1.51	1.53	1.52	1.48	1.43	1.34	-	-	-
30	1.73	1.76	1.77	1.76	1.73	1.68	1.60	1.50	-
40	-	-	2.05	2.06	2.04	2.01	1.96	1.88	-
50	-	-	-	-	-	-	-	-	-
55	-	-	-	-	-	-	-	-	-
60	-	-	-	-	-	-	-	-	-

Mass flow in kg/h

5	-	-	-	-	-	-	-	-	-
15	36	46	57	70	86	-	-	-	-
20	35	45	56	70	86	105	-	-	-
30	34	44	55	69	85	103	126	152	-
40	-	-	54	68	83	102	124	150	-
50	-	-	-	-	-	-	-	-	-
55	-	-	-	-	-	-	-	-	-
60	-	-	-	-	-	-	-	-	-

Coefficient of performance (C.O.P.)

5	-	-	-	-	-	-	-	-	-
15	2.36	2.95	3.70	4.71	6.14	-	-	-	-
20	2.06	2.56	3.19	3.99	5.07	6.59	-	-	-
30	1.54	1.92	2.37	2.91	3.59	4.46	5.64	7.31	-
40	-	-	1.73	2.11	2.57	3.13	3.82	4.72	-
50	-	-	-	-	-	-	-	-	-
55	-	-	-	-	-	-	-	-	-
60	-	-	-	-	-	-	-	-	-

Nominal performance at to = -10 °C, tc = 45 °C

Cooling capacity	-	W
Power input	-	W
Current consumption	-	A
Mass flow	-	kg/h
C.O.P.	-	

Pressure switch settings

Maximum HP switch setting	29.7	bar(g)
Minimum LP switch setting	1.3	bar(g)
LP pump down setting	1.6	bar(g)

Sound power data

Sound power level		dB(A)
With accoustic hood		dB(A)

to: Evaporating temperature at dew point

tc: Condensing temperature at dew point

Rating conditions : Suction gas temp. = 20 °C , Subcooling = 0 K

Tolerance according EN12900

Danfoss can accept no responsibility for possible errors in catalogues, brochures and other printed material. Danfoss reserves the right to alter its products without notice. This also applies to products already on order provided that such alternations can be made without subsequential changes being necessary in specifications already agreed. All trademarks in this material are property of the respective companies. Danfoss and the Danfoss logotype are trademarks of Danfoss A/S. All rights reserved.

Performance data at 45 Hz, EN 12900 rating conditions

R404A

Cond. temp. in °C (tc)	Evaporating temperature in °C (to)							
	-25	-20	-15	-10	-5	0	5	10

Cooling capacity in W

5	-	-	-	-	-	-	-	-	-
15	1 857	2 352	2 942	3 640	4 457	-	-	-	-
20	1 731	2 204	2 767	3 433	4 211	5 115	-	-	-
30	1 485	1 912	2 418	3 014	3 713	4 525	5 461	6 533	-
40	-	-	2 059	2 583	3 197	3 914	4 743	5 697	-
50	-	-	-	-	-	-	-	-	-
55	-	-	-	-	-	-	-	-	-
60	-	-	-	-	-	-	-	-	-

Power input in W

5	-	-	-	-	-	-	-	-	-
15	811	820	813	786	734	-	-	-	-
20	876	891	894	880	845	783	-	-	-
30	1 028	1 050	1 066	1 071	1 061	1 031	976	893	-
40	-	-	1 269	1 284	1 289	1 280	1 254	1 204	-
50	-	-	-	-	-	-	-	-	-
55	-	-	-	-	-	-	-	-	-
60	-	-	-	-	-	-	-	-	-

Current consumption in A

5	-	-	-	-	-	-	-	-	-
15	1.54	1.54	1.52	1.46	1.37	-	-	-	-
20	1.65	1.67	1.66	1.63	1.56	1.46	-	-	-
30	1.89	1.93	1.95	1.94	1.90	1.84	1.75	1.63	-
40	-	-	2.26	2.27	2.25	2.21	2.15	2.06	-
50	-	-	-	-	-	-	-	-	-
55	-	-	-	-	-	-	-	-	-
60	-	-	-	-	-	-	-	-	-

Mass flow in kg/h

5	-	-	-	-	-	-	-	-	-
15	48	59	73	88	106	-	-	-	-
20	47	59	72	87	105	125	-	-	-
30	46	57	71	86	103	123	146	171	-
40	-	-	69	84	102	122	144	170	-
50	-	-	-	-	-	-	-	-	-
55	-	-	-	-	-	-	-	-	-
60	-	-	-	-	-	-	-	-	-

Coefficient of performance (C.O.P.)

5	-	-	-	-	-	-	-	-	-
15	2.29	2.87	3.62	4.63	6.07	-	-	-	-
20	1.98	2.47	3.09	3.90	4.99	6.53	-	-	-
30	1.44	1.82	2.27	2.81	3.50	4.39	5.59	7.31	-
40	-	-	1.62	2.01	2.48	3.06	3.78	4.73	-
50	-	-	-	-	-	-	-	-	-
55	-	-	-	-	-	-	-	-	-
60	-	-	-	-	-	-	-	-	-

Nominal performance at to = -10 °C, tc = 45 °C

Cooling capacity	-	W
Power input	-	W
Current consumption	-	A
Mass flow	-	kg/h
C.O.P.	-	

Pressure switch settings

Maximum HP switch setting	29.7	bar(g)
Minimum LP switch setting	1.3	bar(g)
LP pump down setting	1.6	bar(g)

Sound power data

Sound power level		dB(A)
With acoustic hood		dB(A)

to: Evaporating temperature at dew point

tc: Condensing temperature at dew point

Rating conditions : Superheat = 10 K , Subcooling = 0 K

Tolerance according EN12900

Danfoss can accept no responsibility for possible errors in catalogues, brochures and other printed material. Danfoss reserves the right to alter its products without notice. This also applies to products already on order provided that such alternations can be made without subsequential changes being necessary in specifications already agreed. All trademarks in this material are property of the respective companies. Danfoss and the Danfoss logotype are trademarks of Danfoss A/S. All rights reserved.

Performance data at 45 Hz, EN 12900 rating conditions, Suction temp. = 20 °C

R404A

Cond. temp. in °C (tc)	Evaporating temperature in °C (to)								
	-25	-20	-15	-10	-5	0	5	10	20

Cooling capacity in W

5	-	-	-	-	-	-	-	-	-
15	1 936	2 432	3 019	3 709	4 512	-	-	-	-
20	1 823	2 299	2 860	3 518	4 282	5 164	-	-	-
30	1 602	2 036	2 543	3 132	3 815	4 601	5 503	6 533	-
40	-	-	2 216	2 734	3 332	4 018	4 803	5 697	-
50	-	-	-	-	-	-	-	-	-
55	-	-	-	-	-	-	-	-	-
60	-	-	-	-	-	-	-	-	-

Power input in W

5	-	-	-	-	-	-	-	-	-
15	811	820	813	786	734	-	-	-	-
20	876	891	894	880	845	783	-	-	-
30	1 028	1 050	1 066	1 071	1 061	1 031	976	893	-
40	-	-	1 269	1 284	1 289	1 280	1 254	1 204	-
50	-	-	-	-	-	-	-	-	-
55	-	-	-	-	-	-	-	-	-
60	-	-	-	-	-	-	-	-	-

Current consumption in A

5	-	-	-	-	-	-	-	-	-
15	1.54	1.54	1.52	1.46	1.37	-	-	-	-
20	1.65	1.67	1.66	1.63	1.56	1.46	-	-	-
30	1.89	1.93	1.95	1.94	1.90	1.84	1.75	1.63	-
40	-	-	2.26	2.27	2.25	2.21	2.15	2.06	-
50	-	-	-	-	-	-	-	-	-
55	-	-	-	-	-	-	-	-	-
60	-	-	-	-	-	-	-	-	-

Mass flow in kg/h

5	-	-	-	-	-	-	-	-	-
15	41	52	65	80	98	-	-	-	-
20	40	51	64	79	97	118	-	-	-
30	39	50	63	78	96	117	142	171	-
40	-	-	61	76	94	115	140	170	-
50	-	-	-	-	-	-	-	-	-
55	-	-	-	-	-	-	-	-	-
60	-	-	-	-	-	-	-	-	-

Coefficient of performance (C.O.P.)

5	-	-	-	-	-	-	-	-	-
15	2.39	2.97	3.71	4.72	6.15	-	-	-	-
20	2.08	2.58	3.20	4.00	5.07	6.59	-	-	-
30	1.56	1.94	2.38	2.92	3.60	4.46	5.64	7.31	-
40	-	-	1.75	2.13	2.59	3.14	3.83	4.73	-
50	-	-	-	-	-	-	-	-	-
55	-	-	-	-	-	-	-	-	-
60	-	-	-	-	-	-	-	-	-

Nominal performance at to = -10 °C, tc = 45 °C

Cooling capacity	-	W
Power input	-	W
Current consumption	-	A
Mass flow	-	kg/h
C.O.P.	-	

Pressure switch settings

Maximum HP switch setting	29.7	bar(g)
Minimum LP switch setting	1.3	bar(g)
LP pump down setting	1.6	bar(g)

Sound power data

Sound power level		dB(A)
With accoustic hood		dB(A)

to: Evaporating temperature at dew point

tc: Condensing temperature at dew point

Rating conditions : Suction gas temp. = 20 °C , Subcooling = 0 K

Tolerance according EN12900

Danfoss can accept no responsibility for possible errors in catalogues, brochures and other printed material. Danfoss reserves the right to alter its products without notice. This also applies to products already on order provided that such alternations can be made without subsequential changes being necessary in specifications already agreed. All trademarks in this material are property of the respective companies. Danfoss and the Danfoss logotype are trademarks of Danfoss A/S. All rights reserved.

Performance data at 50 Hz, EN 12900 rating conditions

R404A

Cond. temp. in °C (tc)	Evaporating temperature in °C (to)							
	-30	-20	-15	-10	-5	0	5	10

Cooling capacity in W

5	-	-	-	-	-	-	-	-	-
15	-	2 627	3 284	4 061	4 970	-	-	-	-
20	-	2 461	3 088	3 828	4 694	5 698	-	-	-
30	-	2 135	2 698	3 361	4 138	5 040	6 080	7 271	-
40	-	1 804	2 299	2 882	3 565	4 361	5 282	6 342	-
50	-	1 456	1 878	2 376	2 962	3 648	4 447	5 371	-
60	-	-	1 423	1 832	2 317	2 888	3 560	4 345	-
65	-	-	-	-	-	-	-	-	-

Power input in W

5	-	-	-	-	-	-	-	-	-
15	-	917	911	882	825	-	-	-	-
20	-	996	1 001	987	948	880	-	-	-
30	-	1 170	1 190	1 197	1 187	1 154	1 094	1 002	-
40	-	1 387	1 411	1 429	1 437	1 429	1 400	1 346	-
50	-	1 674	1 691	1 709	1 723	1 729	1 721	1 694	-
60	-	-	2 055	2 062	2 072	2 081	2 082	2 072	-
65	-	-	-	-	-	-	-	-	-

Current consumption in A

5	-	-	-	-	-	-	-	-	-
15	-	1.68	1.65	1.59	1.49	-	-	-	-
20	-	1.82	1.81	1.77	1.70	1.59	-	-	-
30	-	2.11	2.13	2.12	2.08	2.01	1.91	1.78	-
40	-	2.44	2.47	2.47	2.45	2.41	2.34	2.24	-
50	-	2.85	2.88	2.88	2.87	2.83	2.78	2.70	-
60	-	-	3.39	3.38	3.36	3.32	3.26	3.18	-
65	-	-	-	-	-	-	-	-	-

Mass flow in kg/h

5	-	-	-	-	-	-	-	-	-
15	-	66	81	98	118	-	-	-	-
20	-	66	80	97	117	139	-	-	-
30	-	64	79	96	115	137	162	191	-
40	-	62	77	94	114	136	161	189	-
50	-	60	75	92	112	134	159	187	-
60	-	-	73	90	110	132	157	185	-
65	-	-	-	-	-	-	-	-	-

Coefficient of performance (C.O.P.)

5	-	-	-	-	-	-	-	-	-
15	-	2.86	3.61	4.61	6.03	-	-	-	-
20	-	2.47	3.09	3.88	4.95	6.48	-	-	-
30	-	1.83	2.27	2.81	3.49	4.37	5.56	7.26	-
40	-	1.30	1.63	2.02	2.48	3.05	3.77	4.71	-
50	-	0.87	1.11	1.39	1.72	2.11	2.58	3.17	-
60	-	-	0.69	0.89	1.12	1.39	1.71	2.10	-
65	-	-	-	-	-	-	-	-	-

Nominal performance at to = -10 °C, tc = 45 °C

Cooling capacity	2 633	W
Power input	1 561	W
Current consumption	2.67	A
Mass flow	93	kg/h
C.O.P.	1.69	

Pressure switch settings

Maximum HP switch setting	29.7	bar(g)
Minimum LP switch setting	1.3	bar(g)
LP pump down setting	1.6	bar(g)

Sound power data

Sound power level		dB(A)
With acoustic hood		dB(A)

to: Evaporating temperature at dew point

tc: Condensing temperature at dew point

Rating conditions : Superheat = 10 K , Subcooling = 0 K

Tolerance according EN12900

Danfoss can accept no responsibility for possible errors in catalogues, brochures and other printed material. Danfoss reserves the right to alter its products without notice. This also applies to products already on order provided that such alternations can be made without subsequential changes being necessary in specifications already agreed. All trademarks in this material are property of the respective companies. Danfoss and the Danfoss logotype are trademarks of Danfoss A/S. All rights reserved.

Performance data at 50 Hz, EN 12900 rating conditions, Suction temp. = 20 °C

R404A

Cond. temp. in °C (tc)	Evaporating temperature in °C (to)								
	-30	-20	-15	-10	-5	0	5	10	20

Cooling capacity in W

5	-	-	-	-	-	-	-	-	-
15	-	2 717	3 370	4 138	5 031	-	-	-	-
20	-	2 567	3 192	3 923	4 772	5 753	-	-	-
30	-	2 274	2 837	3 493	4 252	5 125	6 126	7 271	-
40	-	1 975	2 474	3 051	3 715	4 477	5 348	6 342	-
50	-	-	2 090	2 584	3 150	3 797	4 534	5 371	-
60	-	-	-	2 082	2 546	3 074	3 672	4 345	-
65	-	-	-	-	-	-	-	-	-

Power input in W

5	-	-	-	-	-	-	-	-	-
15	-	917	911	882	825	-	-	-	-
20	-	996	1 001	987	948	880	-	-	-
30	-	1 170	1 190	1 197	1 187	1 154	1 094	1 002	-
40	-	1 387	1 411	1 429	1 437	1 429	1 400	1 346	-
50	-	-	1 691	1 709	1 723	1 729	1 721	1 694	-
60	-	-	-	2 062	2 072	2 081	2 082	2 072	-
65	-	-	-	-	-	-	-	-	-

Current consumption in A

5	-	-	-	-	-	-	-	-	-
15	-	1.68	1.65	1.59	1.49	-	-	-	-
20	-	1.82	1.81	1.77	1.70	1.59	-	-	-
30	-	2.11	2.13	2.12	2.08	2.01	1.91	1.78	-
40	-	2.44	2.47	2.47	2.45	2.41	2.34	2.24	-
50	-	-	2.88	2.88	2.87	2.83	2.78	2.70	-
60	-	-	-	3.38	3.36	3.32	3.26	3.18	-
65	-	-	-	-	-	-	-	-	-

Mass flow in kg/h

5	-	-	-	-	-	-	-	-	-
15	-	58	72	89	109	-	-	-	-
20	-	57	71	88	108	132	-	-	-
30	-	56	70	87	107	130	158	191	-
40	-	54	69	85	105	128	156	189	-
50	-	-	67	84	103	127	154	187	-
60	-	-	-	82	102	125	152	185	-
65	-	-	-	-	-	-	-	-	-

Coefficient of performance (C.O.P.)

5	-	-	-	-	-	-	-	-	-
15	-	2.96	3.70	4.69	6.10	-	-	-	-
20	-	2.58	3.19	3.98	5.03	6.54	-	-	-
30	-	1.94	2.39	2.92	3.58	4.44	5.60	7.26	-
40	-	1.42	1.75	2.13	2.59	3.13	3.82	4.71	-
50	-	-	1.24	1.51	1.83	2.20	2.63	3.17	-
60	-	-	-	1.01	1.23	1.48	1.76	2.10	-
65	-	-	-	-	-	-	-	-	-

Nominal performance at to = -10 °C, tc = 45 °C

Cooling capacity	2 821	W
Power input	1 561	W
Current consumption	2.67	A
Mass flow	85	kg/h
C.O.P.	1.81	

Pressure switch settings

Maximum HP switch setting	29.7	bar(g)
Minimum LP switch setting	1.3	bar(g)
LP pump down setting	1.6	bar(g)

Sound power data

Sound power level		dB(A)
With acoustic hood		dB(A)

to: Evaporating temperature at dew point

tc: Condensing temperature at dew point

Rating conditions : Suction gas temp. = 20 °C , Subcooling = 0 K

Tolerance according EN12900

Danfoss can accept no responsibility for possible errors in catalogues, brochures and other printed material. Danfoss reserves the right to alter its products without notice. This also applies to products already on order provided that such alternations can be made without subsequential changes being necessary in specifications already agreed. All trademarks in this material are property of the respective companies. Danfoss and the Danfoss logotype are trademarks of Danfoss A/S. All rights reserved.

Performance data at 55 Hz, EN 12900 rating conditions

R404A

Cond. temp. in °C (tc)	Evaporating temperature in °C (to)								
	-30	-20	-15	-10	-5	0	5	10	20

Cooling capacity in W

5	-	-	-	-	-	-	-	-	-
15	-	2 899	3 622	4 477	5 477	-	-	-	-
20	-	2 717	3 406	4 220	5 173	6 277	-	-	-
30	-	2 358	2 977	3 707	4 560	5 552	6 696	8 005	-
40	-	1 994	2 539	3 180	3 931	4 806	5 820	6 984	-
50	-	1 611	2 076	2 625	3 269	4 024	4 903	5 919	-
60	-	-	1 576	2 027	2 561	3 191	3 931	4 794	-
65	-	-	-	-	-	-	-	-	-

Power input in W

5	-	-	-	-	-	-	-	-	-
15	-	1 019	1 014	983	922	-	-	-	-
20	-	1 105	1 112	1 098	1 057	983	-	-	-
30	-	1 293	1 317	1 328	1 318	1 284	1 219	1 118	-
40	-	1 528	1 557	1 579	1 590	1 583	1 553	1 494	-
50	-	1 837	1 858	1 881	1 899	1 908	1 901	1 873	-
60	-	-	2 249	2 260	2 274	2 286	2 291	2 282	-
65	-	-	-	-	-	-	-	-	-

Current consumption in A

5	-	-	-	-	-	-	-	-	-
15	-	1.81	1.79	1.72	1.62	-	-	-	-
20	-	1.97	1.96	1.92	1.84	1.72	-	-	-
30	-	2.28	2.31	2.30	2.25	2.18	2.07	1.93	-
40	-	2.64	2.67	2.68	2.66	2.61	2.54	2.43	-
50	-	3.08	3.11	3.12	3.10	3.07	3.00	2.92	-
60	-	-	3.66	3.65	3.63	3.59	3.52	3.44	-
65	-	-	-	-	-	-	-	-	-

Mass flow in kg/h

5	-	-	-	-	-	-	-	-	-
15	-	73	89	108	130	-	-	-	-
20	-	72	89	107	129	153	-	-	-
30	-	71	87	106	127	151	179	210	-
40	-	69	85	104	125	149	177	208	-
50	-	67	83	102	123	148	175	206	-
60	-	-	81	100	122	146	173	204	-
65	-	-	-	-	-	-	-	-	-

Coefficient of performance (C.O.P.)

5	-	-	-	-	-	-	-	-	-
15	-	2.85	3.57	4.55	5.94	-	-	-	-
20	-	2.46	3.06	3.84	4.89	6.38	-	-	-
30	-	1.82	2.26	2.79	3.46	4.32	5.49	7.16	-
40	-	1.30	1.63	2.01	2.47	3.04	3.75	4.67	-
50	-	0.88	1.12	1.40	1.72	2.11	2.58	3.16	-
60	-	-	0.70	0.90	1.13	1.40	1.72	2.10	-
65	-	-	-	-	-	-	-	-	-

Nominal performance at to = -10 °C, tc = 45 °C

Cooling capacity	2 907	W
Power input	1 722	W
Current consumption	2.89	A
Mass flow	103	kg/h
C.O.P.	1.69	

Pressure switch settings

Maximum HP switch setting	29.7	bar(g)
Minimum LP switch setting	1.3	bar(g)
LP pump down setting	1.6	bar(g)

Sound power data

Sound power level		dB(A)
With acoustic hood		dB(A)

to: Evaporating temperature at dew point

tc: Condensing temperature at dew point

Rating conditions : Superheat = 10 K , Subcooling = 0 K

Tolerance according EN12900

Danfoss can accept no responsibility for possible errors in catalogues, brochures and other printed material. Danfoss reserves the right to alter its products without notice. This also applies to products already on order provided that such alternations can be made without subsequential changes being necessary in specifications already agreed. All trademarks in this material are property of the respective companies. Danfoss and the Danfoss logotype are trademarks of Danfoss A/S. All rights reserved.

Performance data at 55 Hz, EN 12900 rating conditions, Suction temp. = 20 °C

R404A

Cond. temp. in °C (tc)	Evaporating temperature in °C (to)								
	-30	-20	-15	-10	-5	0	5	10	20

Cooling capacity in W

5	-	-	-	-	-	-	-	-	-
15	-	2 998	3 717	4 561	5 544	-	-	-	-
20	-	2 834	3 521	4 325	5 259	6 337	-	-	-
30	-	2 511	3 131	3 852	4 686	5 646	6 746	8 005	-
40	-	2 183	2 732	3 366	4 096	4 934	5 892	6 984	-
50	-	-	2 311	2 854	3 477	4 188	4 999	5 919	-
60	-	-	-	2 304	2 815	3 396	4 053	4 794	-
65	-	-	-	-	-	-	-	-	-

Power input in W

5	-	-	-	-	-	-	-	-	-
15	-	1 019	1 014	983	922	-	-	-	-
20	-	1 105	1 112	1 098	1 057	983	-	-	-
30	-	1 293	1 317	1 328	1 318	1 284	1 219	1 118	-
40	-	1 528	1 557	1 579	1 590	1 583	1 553	1 494	-
50	-	-	1 858	1 881	1 899	1 908	1 901	1 873	-
60	-	-	-	2 260	2 274	2 286	2 291	2 282	-
65	-	-	-	-	-	-	-	-	-

Current consumption in A

5	-	-	-	-	-	-	-	-	-
15	-	1.81	1.79	1.72	1.62	-	-	-	-
20	-	1.97	1.96	1.92	1.84	1.72	-	-	-
30	-	2.28	2.31	2.30	2.25	2.18	2.07	1.93	-
40	-	2.64	2.67	2.68	2.66	2.61	2.54	2.43	-
50	-	-	3.11	3.12	3.10	3.07	3.00	2.92	-
60	-	-	-	3.65	3.63	3.59	3.52	3.44	-
65	-	-	-	-	-	-	-	-	-

Mass flow in kg/h

5	-	-	-	-	-	-	-	-	-
15	-	64	79	98	120	-	-	-	-
20	-	63	79	97	119	145	-	-	-
30	-	62	77	96	117	143	174	210	-
40	-	60	76	94	116	142	172	208	-
50	-	-	74	92	114	140	170	206	-
60	-	-	-	91	112	138	168	204	-
65	-	-	-	-	-	-	-	-	-

Coefficient of performance (C.O.P.)

5	-	-	-	-	-	-	-	-	-
15	-	2.94	3.67	4.64	6.02	-	-	-	-
20	-	2.57	3.17	3.94	4.98	6.45	-	-	-
30	-	1.94	2.38	2.90	3.55	4.40	5.54	7.16	-
40	-	1.43	1.76	2.13	2.58	3.12	3.79	4.67	-
50	-	-	1.24	1.52	1.83	2.20	2.63	3.16	-
60	-	-	-	1.02	1.24	1.49	1.77	2.10	-
65	-	-	-	-	-	-	-	-	-

Nominal performance at to = -10 °C, tc = 45 °C

Cooling capacity	3 114	W
Power input	1 722	W
Current consumption	2.89	A
Mass flow	93	kg/h
C.O.P.	1.81	

Pressure switch settings

Maximum HP switch setting	29.7	bar(g)
Minimum LP switch setting	1.3	bar(g)
LP pump down setting	1.6	bar(g)

Sound power data

Sound power level		dB(A)
With acoustic hood		dB(A)

to: Evaporating temperature at dew point

tc: Condensing temperature at dew point

Rating conditions : Suction gas temp. = 20 °C , Subcooling = 0 K

Tolerance according EN12900

Danfoss can accept no responsibility for possible errors in catalogues, brochures and other printed material. Danfoss reserves the right to alter its products without notice. This also applies to products already on order provided that such alternations can be made without subsequential changes being necessary in specifications already agreed. All trademarks in this material are property of the respective companies. Danfoss and the Danfoss logotype are trademarks of Danfoss A/S. All rights reserved.

Performance data at 60 Hz, EN 12900 rating conditions

R404A

Cond. temp. in °C (tc)	Evaporating temperature in °C (to)							
	-30	-20	-15	-10	-5	0	5	10

Cooling capacity in W

5	-	-	-	-	-	-	-	-	-
15	-	3 168	3 957	4 888	5 977	-	-	-	-
20	-	2 970	3 722	4 609	5 646	6 849	-	-	-
30	-	2 579	3 255	4 050	4 981	6 062	7 308	8 734	-
40	-	2 183	2 778	3 477	4 297	5 251	6 355	7 624	-
50	-	1 766	2 274	2 873	3 576	4 400	5 358	6 466	-
60	-	-	1 728	2 221	2 804	3 492	4 299	5 241	-
65	-	-	-	-	-	-	-	-	-

Power input in W

5	-	-	-	-	-	-	-	-	-
15	-	1 125	1 122	1 090	1 024	-	-	-	-
20	-	1 218	1 228	1 215	1 172	1 093	-	-	-
30	-	1 421	1 450	1 463	1 455	1 420	1 350	1 241	-
40	-	1 673	1 707	1 734	1 748	1 743	1 712	1 650	-
50	-	2 002	2 029	2 057	2 080	2 092	2 087	2 059	-
60	-	-	2 446	2 462	2 481	2 498	2 505	2 498	-
65	-	-	-	-	-	-	-	-	-

Current consumption in A

5	-	-	-	-	-	-	-	-	-
15	-	1.95	1.93	1.86	1.75	-	-	-	-
20	-	2.12	2.12	2.07	1.99	1.87	-	-	-
30	-	2.46	2.48	2.47	2.43	2.36	2.24	2.09	-
40	-	2.84	2.88	2.89	2.87	2.82	2.74	2.62	-
50	-	3.31	3.34	3.35	3.34	3.30	3.24	3.15	-
60	-	-	3.93	3.92	3.90	3.86	3.80	3.71	-
65	-	-	-	-	-	-	-	-	-

Mass flow in kg/h

5	-	-	-	-	-	-	-	-	-
15	-	80	98	118	142	-	-	-	-
20	-	79	97	117	141	167	-	-	-
30	-	77	95	115	139	165	195	229	-
40	-	75	93	114	137	163	193	227	-
50	-	73	91	112	135	161	191	225	-
60	-	-	89	110	133	160	190	223	-
65	-	-	-	-	-	-	-	-	-

Coefficient of performance (C.O.P.)

5	-	-	-	-	-	-	-	-	-
15	-	2.82	3.53	4.48	5.83	-	-	-	-
20	-	2.44	3.03	3.79	4.82	6.27	-	-	-
30	-	1.82	2.24	2.77	3.42	4.27	5.41	7.04	-
40	-	1.31	1.63	2.00	2.46	3.01	3.71	4.62	-
50	-	0.88	1.12	1.40	1.72	2.10	2.57	3.14	-
60	-	-	0.71	0.90	1.13	1.40	1.72	2.10	-
65	-	-	-	-	-	-	-	-	-

Nominal performance at to = -10 °C, tc = 45 °C

Cooling capacity	3 180	W
Power input	1 887	W
Current consumption	3.11	A
Mass flow	113	kg/h
C.O.P.	1.68	

Pressure switch settings

Maximum HP switch setting	29.7	bar(g)
Minimum LP switch setting	1.3	bar(g)
LP pump down setting	1.6	bar(g)

Sound power data

Sound power level		dB(A)
With acoustic hood		dB(A)

to: Evaporating temperature at dew point

tc: Condensing temperature at dew point

Rating conditions : Superheat = 10 K , Subcooling = 0 K

Tolerance according EN12900

Danfoss can accept no responsibility for possible errors in catalogues, brochures and other printed material. Danfoss reserves the right to alter its products without notice. This also applies to products already on order provided that such alternations can be made without subsequential changes being necessary in specifications already agreed. All trademarks in this material are property of the respective companies. Danfoss and the Danfoss logotype are trademarks of Danfoss A/S. All rights reserved.

Performance data at 60 Hz, EN 12900 rating conditions, Suction temp. = 20 °C

R404A

Cond. temp. in °C (tc)	Evaporating temperature in °C (to)								
	-30	-20	-15	-10	-5	0	5	10	20

Cooling capacity in W

5	-	-	-	-	-	-	-	-	-
15	-	3 276	4 060	4 980	6 050	-	-	-	-
20	-	3 097	3 847	4 723	5 740	6 915	-	-	-
30	-	2 746	3 423	4 209	5 118	6 164	7 363	8 734	-
40	-	2 391	2 990	3 681	4 477	5 391	6 435	7 624	-
50	-	-	2 531	3 124	3 803	4 579	5 463	6 466	-
60	-	-	-	2 524	3 082	3 716	4 434	5 241	-
65	-	-	-	-	-	-	-	-	-

Power input in W

5	-	-	-	-	-	-	-	-	-
15	-	1 125	1 122	1 090	1 024	-	-	-	-
20	-	1 218	1 228	1 215	1 172	1 093	-	-	-
30	-	1 421	1 450	1 463	1 455	1 420	1 350	1 241	-
40	-	1 673	1 707	1 734	1 748	1 743	1 712	1 650	-
50	-	-	2 029	2 057	2 080	2 092	2 087	2 059	-
60	-	-	-	2 462	2 481	2 498	2 505	2 498	-
65	-	-	-	-	-	-	-	-	-

Current consumption in A

5	-	-	-	-	-	-	-	-	-
15	-	1.95	1.93	1.86	1.75	-	-	-	-
20	-	2.12	2.12	2.07	1.99	1.87	-	-	-
30	-	2.46	2.48	2.47	2.43	2.36	2.24	2.09	-
40	-	2.84	2.88	2.89	2.87	2.82	2.74	2.62	-
50	-	-	3.34	3.35	3.34	3.30	3.24	3.15	-
60	-	-	-	3.92	3.90	3.86	3.80	3.71	-
65	-	-	-	-	-	-	-	-	-

Mass flow in kg/h

5	-	-	-	-	-	-	-	-	-
15	-	70	87	107	131	-	-	-	-
20	-	69	86	106	130	159	-	-	-
30	-	67	84	105	128	156	190	229	-
40	-	66	83	103	127	155	188	227	-
50	-	-	81	101	125	153	186	225	-
60	-	-	-	99	123	151	184	223	-
65	-	-	-	-	-	-	-	-	-

Coefficient of performance (C.O.P.)

5	-	-	-	-	-	-	-	-	-
15	-	2.91	3.62	4.57	5.91	-	-	-	-
20	-	2.54	3.13	3.89	4.90	6.33	-	-	-
30	-	1.93	2.36	2.88	3.52	4.34	5.45	7.04	-
40	-	1.43	1.75	2.12	2.56	3.09	3.76	4.62	-
50	-	-	1.25	1.52	1.83	2.19	2.62	3.14	-
60	-	-	-	1.03	1.24	1.49	1.77	2.10	-
65	-	-	-	-	-	-	-	-	-

Nominal performance at to = -10 °C, tc = 45 °C

Cooling capacity	3 407	W
Power input	1 887	W
Current consumption	3.11	A
Mass flow	102	kg/h
C.O.P.	1.81	

Pressure switch settings

Maximum HP switch setting	29.7	bar(g)
Minimum LP switch setting	1.3	bar(g)
LP pump down setting	1.6	bar(g)

Sound power data

Sound power level		dB(A)
With acoustic hood		dB(A)

to: Evaporating temperature at dew point

tc: Condensing temperature at dew point

Rating conditions : Suction gas temp. = 20 °C , Subcooling = 0 K

Tolerance according EN12900

Danfoss can accept no responsibility for possible errors in catalogues, brochures and other printed material. Danfoss reserves the right to alter its products without notice. This also applies to products already on order provided that such alternations can be made without subsequential changes being necessary in specifications already agreed. All trademarks in this material are property of the respective companies. Danfoss and the Danfoss logotype are trademarks of Danfoss A/S. All rights reserved.

Performance data at 65 Hz, EN 12900 rating conditions
R404A

Cond. temp. in °C (tc)	Evaporating temperature in °C (to)								
	-30	-20	-15	-10	-5	0	5	10	20

Cooling capacity in W

5	-	-	-	-	-	-	-	-	-
15	-	3 434	4 287	5 294	6 471	-	-	-	-
20	-	3 220	4 034	4 994	6 116	7 416	-	-	-
30	-	2 799	3 531	4 392	5 399	6 569	7 916	9 458	-
40	-	2 372	3 016	3 774	4 661	5 694	6 889	8 262	-
50	-	1 920	2 472	3 121	3 883	4 774	5 812	7 011	-
60	-	-	1 880	2 415	3 047	3 792	4 666	5 686	-
65	-	-	-	-	-	-	-	-	-

Power input in W

5	-	-	-	-	-	-	-	-	-
15	-	1 236	1 235	1 202	1 133	-	-	-	-
20	-	1 336	1 349	1 337	1 293	1 209	-	-	-
30	-	1 553	1 587	1 604	1 598	1 561	1 488	1 372	-
40	-	1 821	1 862	1 894	1 912	1 909	1 878	1 813	-
50	-	2 171	2 204	2 238	2 266	2 283	2 280	2 252	-
60	-	-	2 647	2 668	2 693	2 714	2 726	2 721	-
65	-	-	-	-	-	-	-	-	-

Current consumption in A

5	-	-	-	-	-	-	-	-	-
15	-	2.10	2.07	2.01	1.90	-	-	-	-
20	-	2.28	2.27	2.23	2.15	2.03	-	-	-
30	-	2.64	2.66	2.65	2.61	2.54	2.42	2.26	-
40	-	3.04	3.08	3.09	3.07	3.02	2.94	2.83	-
50	-	3.54	3.57	3.59	3.58	3.54	3.48	3.39	-
60	-	-	4.19	4.19	4.17	4.14	4.08	3.99	-
65	-	-	-	-	-	-	-	-	-

Mass flow in kg/h

5	-	-	-	-	-	-	-	-	-
15	-	87	106	128	154	-	-	-	-
20	-	86	105	127	152	181	-	-	-
30	-	84	103	125	150	179	212	248	-
40	-	82	101	123	148	177	209	246	-
50	-	80	99	121	147	175	208	244	-
60	-	-	97	119	145	173	206	242	-
65	-	-	-	-	-	-	-	-	-

Coefficient of performance (C.O.P.)

5	-	-	-	-	-	-	-	-	-
15	-	2.78	3.47	4.40	5.71	-	-	-	-
20	-	2.41	2.99	3.73	4.73	6.14	-	-	-
30	-	1.80	2.22	2.74	3.38	4.21	5.32	6.90	-
40	-	1.30	1.62	1.99	2.44	2.98	3.67	4.56	-
50	-	0.88	1.12	1.39	1.71	2.09	2.55	3.11	-
60	-	-	0.71	0.91	1.13	1.40	1.71	2.09	-
65	-	-	-	-	-	-	-	-	-

Nominal performance at to = -10 °C, tc = 45 °C

Cooling capacity	3 453	W
Power input	2 057	W
Current consumption	3.33	A
Mass flow	122	kg/h
C.O.P.	1.68	

Pressure switch settings

Maximum HP switch setting	29.7	bar(g)
Minimum LP switch setting	1.3	bar(g)
LP pump down setting	1.6	bar(g)

Sound power data

Sound power level		dB(A)
With acoustic hood		dB(A)

to: Evaporating temperature at dew point

tc: Condensing temperature at dew point

Rating conditions : Superheat = 10 K , Subcooling = 0 K

Tolerance according EN12900

Danfoss can accept no responsibility for possible errors in catalogues, brochures and other printed material. Danfoss reserves the right to alter its products without notice. This also applies to products already on order provided that such alternations can be made without subsequential changes being necessary in specifications already agreed. All trademarks in this material are property of the respective companies. Danfoss and the Danfoss logotype are trademarks of Danfoss A/S. All rights reserved.

Performance data at 65 Hz, EN 12900 rating conditions, Suction temp. = 20 °C

R404A

Cond. temp. in °C (tc)	Evaporating temperature in °C (to)								
	-30	-20	-15	-10	-5	0	5	10	20

Cooling capacity in W

5	-	-	-	-	-	-	-	-	-
15	-	3 551	4 399	5 393	6 550	-	-	-	-
20	-	3 359	4 169	5 117	6 217	7 487	-	-	-
30	-	2 981	3 713	4 564	5 548	6 680	7 976	9 458	-
40	-	2 597	3 246	3 995	4 857	5 846	6 975	8 262	-
50	-	-	2 751	3 393	4 129	4 969	5 925	7 011	-
60	-	-	-	2 745	3 349	4 035	4 812	5 686	-
65	-	-	-	-	-	-	-	-	-

Power input in W

5	-	-	-	-	-	-	-	-	-
15	-	1 236	1 235	1 202	1 133	-	-	-	-
20	-	1 336	1 349	1 337	1 293	1 209	-	-	-
30	-	1 553	1 587	1 604	1 598	1 561	1 488	1 372	-
40	-	1 821	1 862	1 894	1 912	1 909	1 878	1 813	-
50	-	-	2 204	2 238	2 266	2 283	2 280	2 252	-
60	-	-	-	2 668	2 693	2 714	2 726	2 721	-
65	-	-	-	-	-	-	-	-	-

Current consumption in A

5	-	-	-	-	-	-	-	-	-
15	-	2.10	2.07	2.01	1.90	-	-	-	-
20	-	2.28	2.27	2.23	2.15	2.03	-	-	-
30	-	2.64	2.66	2.65	2.61	2.54	2.42	2.26	-
40	-	3.04	3.08	3.09	3.07	3.02	2.94	2.83	-
50	-	-	3.57	3.59	3.58	3.54	3.48	3.39	-
60	-	-	-	4.19	4.17	4.14	4.08	3.99	-
65	-	-	-	-	-	-	-	-	-

Mass flow in kg/h

5	-	-	-	-	-	-	-	-	-
15	-	75	94	116	142	-	-	-	-
20	-	75	93	115	141	172	-	-	-
30	-	73	92	113	139	169	205	248	-
40	-	71	90	112	137	168	203	246	-
50	-	-	88	110	136	166	202	244	-
60	-	-	-	108	134	164	200	242	-
65	-	-	-	-	-	-	-	-	-

Coefficient of performance (C.O.P.)

5	-	-	-	-	-	-	-	-	-
15	-	2.87	3.56	4.49	5.78	-	-	-	-
20	-	2.51	3.09	3.83	4.81	6.19	-	-	-
30	-	1.92	2.34	2.84	3.47	4.28	5.36	6.90	-
40	-	1.43	1.74	2.11	2.54	3.06	3.71	4.56	-
50	-	-	1.25	1.52	1.82	2.18	2.60	3.11	-
60	-	-	-	1.03	1.24	1.49	1.77	2.09	-
65	-	-	-	-	-	-	-	-	-

Nominal performance at to = -10 °C, tc = 45 °C

Cooling capacity	3 699	W
Power input	2 057	W
Current consumption	3.33	A
Mass flow	111	kg/h
C.O.P.	1.80	

Pressure switch settings

Maximum HP switch setting	29.7	bar(g)
Minimum LP switch setting	1.3	bar(g)
LP pump down setting	1.6	bar(g)

Sound power data

Sound power level		dB(A)
With acoustic hood		dB(A)

to: Evaporating temperature at dew point

tc: Condensing temperature at dew point

Rating conditions : Suction gas temp. = 20 °C , Subcooling = 0 K

Tolerance according EN12900

Danfoss can accept no responsibility for possible errors in catalogues, brochures and other printed material. Danfoss reserves the right to alter its products without notice. This also applies to products already on order provided that such alternations can be made without subsequential changes being necessary in specifications already agreed. All trademarks in this material are property of the respective companies. Danfoss and the Danfoss logotype are trademarks of Danfoss A/S. All rights reserved.

Performance data at 70 Hz, EN 12900 rating conditions

R404A

Cond. temp. in °C (tc)	Evaporating temperature in °C (to)								
	-30	-20	-15	-10	-5	0	5	10	20

Cooling capacity in W

5	-	-	-	-	-	-	-	-	-
15	-	3 696	4 613	5 694	6 959	-	-	-	-
20	-	3 469	4 343	5 375	6 580	7 978	-	-	-
30	-	3 019	3 806	4 733	5 816	7 073	8 521	10 179	-
40	-	2 560	3 254	4 070	5 025	6 136	7 421	8 898	-
50	-	2 074	2 669	3 368	4 189	5 148	6 264	7 554	-
60	-	-	2 032	2 608	3 289	4 091	5 031	6 129	-
65	-	-	-	-	-	-	-	-	-

Power input in W

5	-	-	-	-	-	-	-	-	-
15	-	1 352	1 352	1 320	1 248	-	-	-	-
20	-	1 458	1 475	1 465	1 419	1 331	-	-	-
30	-	1 689	1 729	1 750	1 746	1 709	1 633	1 510	-
40	-	1 973	2 020	2 059	2 081	2 081	2 050	1 983	-
50	-	2 344	2 383	2 423	2 458	2 478	2 479	2 452	-
60	-	-	2 850	2 878	2 909	2 936	2 953	2 951	-
65	-	-	-	-	-	-	-	-	-

Current consumption in A

5	-	-	-	-	-	-	-	-	-
15	-	2.25	2.22	2.16	2.05	-	-	-	-
20	-	2.44	2.43	2.39	2.31	2.19	-	-	-
30	-	2.82	2.84	2.83	2.80	2.72	2.60	2.44	-
40	-	3.24	3.28	3.29	3.28	3.23	3.15	3.03	-
50	-	3.77	3.80	3.82	3.81	3.78	3.72	3.63	-
60	-	-	4.46	4.46	4.45	4.42	4.37	4.29	-
65	-	-	-	-	-	-	-	-	-

Mass flow in kg/h

5	-	-	-	-	-	-	-	-	-
15	-	93	114	138	165	-	-	-	-
20	-	92	113	137	164	195	-	-	-
30	-	90	111	135	162	193	228	267	-
40	-	88	109	133	160	191	226	265	-
50	-	86	107	131	158	189	224	263	-
60	-	-	105	129	156	187	222	261	-
65	-	-	-	-	-	-	-	-	-

Coefficient of performance (C.O.P.)

5	-	-	-	-	-	-	-	-	-
15	-	2.73	3.41	4.31	5.57	-	-	-	-
20	-	2.38	2.94	3.67	4.64	5.99	-	-	-
30	-	1.79	2.20	2.70	3.33	4.14	5.22	6.74	-
40	-	1.30	1.61	1.98	2.41	2.95	3.62	4.49	-
50	-	0.89	1.12	1.39	1.70	2.08	2.53	3.08	-
60	-	-	0.71	0.91	1.13	1.39	1.70	2.08	-
65	-	-	-	-	-	-	-	-	-

Nominal performance at to = -10 °C, tc = 45 °C

Cooling capacity	3 725	W
Power input	2 232	W
Current consumption	3.54	A
Mass flow	132	kg/h
C.O.P.	1.67	

Pressure switch settings

Maximum HP switch setting	29.7	bar(g)
Minimum LP switch setting	1.3	bar(g)
LP pump down setting	1.6	bar(g)

Sound power data

Sound power level		dB(A)
With acoustic hood		dB(A)

to: Evaporating temperature at dew point

tc: Condensing temperature at dew point

Rating conditions : Superheat = 10 K , Subcooling = 0 K

Tolerance according EN12900

Danfoss can accept no responsibility for possible errors in catalogues, brochures and other printed material. Danfoss reserves the right to alter its products without notice. This also applies to products already on order provided that such alternations can be made without subsequential changes being necessary in specifications already agreed. All trademarks in this material are property of the respective companies. Danfoss and the Danfoss logotype are trademarks of Danfoss A/S. All rights reserved.

Performance data at 70 Hz, EN 12900 rating conditions, Suction temp. = 20 °C

R404A

Cond. temp. in °C (tc)	Evaporating temperature in °C (to)								
	-30	-20	-15	-10	-5	0	5	10	20

Cooling capacity in W

5	-	-	-	-	-	-	-	-	-
15	-	3 822	4 733	5 801	7 044	-	-	-	-
20	-	3 618	4 489	5 508	6 690	8 054	-	-	-
30	-	3 215	4 003	4 918	5 975	7 192	8 586	10 179	-
40	-	2 803	3 503	4 309	5 236	6 299	7 514	8 898	-
50	-	-	2 971	3 662	4 454	5 358	6 387	7 554	-
60	-	-	-	2 964	3 615	4 353	5 189	6 129	-
65	-	-	-	-	-	-	-	-	-

Power input in W

5	-	-	-	-	-	-	-	-	-
15	-	1 352	1 352	1 320	1 248	-	-	-	-
20	-	1 458	1 475	1 465	1 419	1 331	-	-	-
30	-	1 689	1 729	1 750	1 746	1 709	1 633	1 510	-
40	-	1 973	2 020	2 059	2 081	2 081	2 050	1 983	-
50	-	-	2 383	2 423	2 458	2 478	2 479	2 452	-
60	-	-	-	2 878	2 909	2 936	2 953	2 951	-
65	-	-	-	-	-	-	-	-	-

Current consumption in A

5	-	-	-	-	-	-	-	-	-
15	-	2.25	2.22	2.16	2.05	-	-	-	-
20	-	2.44	2.43	2.39	2.31	2.19	-	-	-
30	-	2.82	2.84	2.83	2.80	2.72	2.60	2.44	-
40	-	3.24	3.28	3.29	3.28	3.23	3.15	3.03	-
50	-	-	3.80	3.82	3.81	3.78	3.72	3.63	-
60	-	-	-	4.46	4.45	4.42	4.37	4.29	-
65	-	-	-	-	-	-	-	-	-

Mass flow in kg/h

5	-	-	-	-	-	-	-	-	-
15	-	81	101	125	153	-	-	-	-
20	-	80	100	124	152	185	-	-	-
30	-	79	99	122	150	183	221	267	-
40	-	77	97	120	148	181	219	265	-
50	-	-	95	119	146	179	217	263	-
60	-	-	-	117	144	177	215	261	-
65	-	-	-	-	-	-	-	-	-

Coefficient of performance (C.O.P.)

5	-	-	-	-	-	-	-	-	-
15	-	2.83	3.50	4.39	5.64	-	-	-	-
20	-	2.48	3.04	3.76	4.71	6.05	-	-	-
30	-	1.90	2.32	2.81	3.42	4.21	5.26	6.74	-
40	-	1.42	1.73	2.09	2.52	3.03	3.67	4.49	-
50	-	-	1.25	1.51	1.81	2.16	2.58	3.08	-
60	-	-	-	1.03	1.24	1.48	1.76	2.08	-
65	-	-	-	-	-	-	-	-	-

Nominal performance at to = -10 °C, tc = 45 °C

Cooling capacity	3 991	W
Power input	2 232	W
Current consumption	3.54	A
Mass flow	120	kg/h
C.O.P.	1.79	

Pressure switch settings

Maximum HP switch setting	29.7	bar(g)
Minimum LP switch setting	1.3	bar(g)
LP pump down setting	1.6	bar(g)

Sound power data

Sound power level		dB(A)
With acoustic hood		dB(A)

to: Evaporating temperature at dew point

tc: Condensing temperature at dew point

Rating conditions : Suction gas temp. = 20 °C , Subcooling = 0 K

Tolerance according EN12900

Danfoss can accept no responsibility for possible errors in catalogues, brochures and other printed material. Danfoss reserves the right to alter its products without notice. This also applies to products already on order provided that such alternations can be made without subsequential changes being necessary in specifications already agreed. All trademarks in this material are property of the respective companies. Danfoss and the Danfoss logotype are trademarks of Danfoss A/S. All rights reserved.

Performance data at 75 Hz, EN 12900 rating conditions

R404A

Cond. temp. in °C (tc)	Evaporating temperature in °C (to)							
	-30	-20	-15	-10	-5	0	5	10

Cooling capacity in W

5	-	-	-	-	-	-	-	-	-
15	-	3 955	4 934	6 090	7 440	-	-	-	-
20	-	3 715	4 650	5 753	7 041	8 533	-	-	-
30	-	3 237	4 080	5 071	6 230	7 574	9 123	10 895	-
40	-	2 748	3 492	4 365	5 387	6 577	7 952	9 531	-
50	-	2 228	2 866	3 615	4 494	5 521	6 715	8 096	-
60	-	-	2 184	2 801	3 530	4 388	5 395	6 569	-
65	-	-	-	-	-	-	-	-	-

Power input in W

5	-	-	-	-	-	-	-	-	-
15	-	1 472	1 475	1 444	1 369	-	-	-	-
20	-	1 585	1 606	1 598	1 552	1 460	-	-	-
30	-	1 830	1 875	1 901	1 900	1 863	1 785	1 656	-
40	-	2 130	2 184	2 228	2 255	2 258	2 229	2 159	-
50	-	2 519	2 566	2 613	2 654	2 680	2 684	2 659	-
60	-	-	3 057	3 091	3 129	3 163	3 185	3 188	-
65	-	-	-	-	-	-	-	-	-

Current consumption in A

5	-	-	-	-	-	-	-	-	-
15	-	2.40	2.38	2.32	2.22	-	-	-	-
20	-	2.60	2.59	2.56	2.48	2.36	-	-	-
30	-	2.99	3.02	3.01	2.98	2.91	2.79	2.62	-
40	-	3.44	3.47	3.49	3.48	3.45	3.37	3.25	-
50	-	4.00	4.02	4.04	4.05	4.03	3.98	3.88	-
60	-	-	4.72	4.73	4.73	4.71	4.67	4.59	-
65	-	-	-	-	-	-	-	-	-

Mass flow in kg/h

5	-	-	-	-	-	-	-	-	-
15	-	100	122	147	177	-	-	-	-
20	-	99	121	146	175	209	-	-	-
30	-	97	119	145	173	206	244	286	-
40	-	95	117	143	172	204	242	284	-
50	-	92	115	141	170	203	240	282	-
60	-	-	112	138	168	201	238	280	-
65	-	-	-	-	-	-	-	-	-

Coefficient of performance (C.O.P.)

5	-	-	-	-	-	-	-	-	-
15	-	2.69	3.35	4.22	5.43	-	-	-	-
20	-	2.34	2.90	3.60	4.54	5.84	-	-	-
30	-	1.77	2.18	2.67	3.28	4.06	5.11	6.58	-
40	-	1.29	1.60	1.96	2.39	2.91	3.57	4.41	-
50	-	0.88	1.12	1.38	1.69	2.06	2.50	3.05	-
60	-	-	0.71	0.91	1.13	1.39	1.69	2.06	-
65	-	-	-	-	-	-	-	-	-

Nominal performance at to = -10 °C, tc = 45 °C

Cooling capacity	3 997	W
Power input	2 411	W
Current consumption	3.76	A
Mass flow	142	kg/h
C.O.P.	1.66	

Pressure switch settings

Maximum HP switch setting	29.7	bar(g)
Minimum LP switch setting	1.3	bar(g)
LP pump down setting	1.6	bar(g)

Sound power data

Sound power level		dB(A)
With acoustic hood		dB(A)

to: Evaporating temperature at dew point

tc: Condensing temperature at dew point

Rating conditions : Superheat = 10 K , Subcooling = 0 K

Tolerance according EN12900

Danfoss can accept no responsibility for possible errors in catalogues, brochures and other printed material. Danfoss reserves the right to alter its products without notice. This also applies to products already on order provided that such alternations can be made without subsequential changes being necessary in specifications already agreed. All trademarks in this material are property of the respective companies. Danfoss and the Danfoss logotype are trademarks of Danfoss A/S. All rights reserved.

Performance data at 75 Hz, EN 12900 rating conditions, Suction temp. = 20 °C

R404A

Cond. temp. in °C (tc)	Evaporating temperature in °C (to)							
	-30	-20	-15	-10	-5	0	5	10

Cooling capacity in W

5	-	-	-	-	-	-	-	-	-
15	-	4 090	5 064	6 204	7 531	-	-	-	-
20	-	3 875	4 806	5 895	7 158	8 615	-	-	-
30	-	3 447	4 291	5 270	6 401	7 702	9 192	10 895	-
40	-	3 009	3 758	4 621	5 614	6 752	8 051	9 531	-
50	-	-	3 190	3 931	4 778	5 746	6 847	8 096	-
60	-	-	-	3 183	3 880	4 670	5 564	6 569	-
65	-	-	-	-	-	-	-	-	-

Power input in W

5	-	-	-	-	-	-	-	-	-
15	-	1 472	1 475	1 444	1 369	-	-	-	-
20	-	1 585	1 606	1 598	1 552	1 460	-	-	-
30	-	1 830	1 875	1 901	1 900	1 863	1 785	1 656	-
40	-	2 130	2 184	2 228	2 255	2 258	2 229	2 159	-
50	-	-	2 566	2 613	2 654	2 680	2 684	2 659	-
60	-	-	-	3 091	3 129	3 163	3 185	3 188	-
65	-	-	-	-	-	-	-	-	-

Current consumption in A

5	-	-	-	-	-	-	-	-	-
15	-	2.40	2.38	2.32	2.22	-	-	-	-
20	-	2.60	2.59	2.56	2.48	2.36	-	-	-
30	-	2.99	3.02	3.01	2.98	2.91	2.79	2.62	-
40	-	3.44	3.47	3.49	3.48	3.45	3.37	3.25	-
50	-	-	4.02	4.04	4.05	4.03	3.98	3.88	-
60	-	-	-	4.73	4.73	4.71	4.67	4.59	-
65	-	-	-	-	-	-	-	-	-

Mass flow in kg/h

5	-	-	-	-	-	-	-	-	-
15	-	87	108	133	163	-	-	-	-
20	-	86	107	133	162	198	-	-	-
30	-	84	106	131	161	195	237	286	-
40	-	83	104	129	159	194	235	284	-
50	-	-	102	127	157	192	233	282	-
60	-	-	-	125	155	190	231	280	-
65	-	-	-	-	-	-	-	-	-

Coefficient of performance (C.O.P.)

5	-	-	-	-	-	-	-	-	-
15	-	2.78	3.43	4.30	5.50	-	-	-	-
20	-	2.45	2.99	3.69	4.61	5.90	-	-	-
30	-	1.88	2.29	2.77	3.37	4.13	5.15	6.58	-
40	-	1.41	1.72	2.07	2.49	2.99	3.61	4.41	-
50	-	-	1.24	1.50	1.80	2.14	2.55	3.05	-
60	-	-	-	1.03	1.24	1.48	1.75	2.06	-
65	-	-	-	-	-	-	-	-	-

Nominal performance at to = -10 °C, tc = 45 °C

Cooling capacity	4 283	W
Power input	2 411	W
Current consumption	3.76	A
Mass flow	128	kg/h
C.O.P.	1.78	

Pressure switch settings

Maximum HP switch setting	29.7	bar(g)
Minimum LP switch setting	1.3	bar(g)
LP pump down setting	1.6	bar(g)

Sound power data

Sound power level		dB(A)
With acoustic hood		dB(A)

to: Evaporating temperature at dew point

tc: Condensing temperature at dew point

Rating conditions : Suction gas temp. = 20 °C , Subcooling = 0 K

Tolerance according EN12900

Danfoss can accept no responsibility for possible errors in catalogues, brochures and other printed material. Danfoss reserves the right to alter its products without notice. This also applies to products already on order provided that such alternations can be made without subsequential changes being necessary in specifications already agreed. All trademarks in this material are property of the respective companies. Danfoss and the Danfoss logotype are trademarks of Danfoss A/S. All rights reserved.

Performance data at 80 Hz, EN 12900 rating conditions

R404A

Cond. temp. in °C (tc)	Evaporating temperature in °C (to)								
	-30	-20	-15	-10	-5	0	5	10	20

Cooling capacity in W

5	-	-	-	-	-	-	-	-	-
15	-	4 211	5 252	6 480	7 915	-	-	-	-
20	-	3 959	4 954	6 127	7 497	9 084	-	-	-
30	-	3 454	4 353	5 409	6 642	8 073	9 721	11 607	-
40	-	2 935	3 729	4 660	5 749	7 016	8 480	10 162	-
50	-	2 382	3 063	3 862	4 798	5 893	7 166	8 636	-
60	-	-	2 335	2 993	3 770	4 684	5 757	7 008	-
65	-	-	-	-	-	-	-	-	-

Power input in W

5	-	-	-	-	-	-	-	-	-
15	-	1 596	1 603	1 572	1 497	-	-	-	-
20	-	1 716	1 742	1 736	1 690	1 596	-	-	-
30	-	1 974	2 026	2 057	2 059	2 023	1 943	1 809	-
40	-	2 290	2 351	2 402	2 435	2 442	2 414	2 343	-
50	-	2 698	2 752	2 807	2 855	2 887	2 895	2 872	-
60	-	-	3 266	3 309	3 355	3 396	3 424	3 432	-
65	-	-	-	-	-	-	-	-	-

Current consumption in A

5	-	-	-	-	-	-	-	-	-
15	-	2.56	2.54	2.49	2.39	-	-	-	-
20	-	2.76	2.76	2.73	2.66	2.55	-	-	-
30	-	3.17	3.19	3.20	3.17	3.10	2.99	2.81	-
40	-	3.64	3.67	3.69	3.69	3.66	3.59	3.47	-
50	-	4.22	4.25	4.27	4.28	4.27	4.23	4.15	-
60	-	-	4.98	4.99	5.00	5.00	4.97	4.91	-
65	-	-	-	-	-	-	-	-	-

Mass flow in kg/h

5	-	-	-	-	-	-	-	-	-
15	-	106	130	157	188	-	-	-	-
20	-	105	129	156	187	222	-	-	-
30	-	104	127	154	185	220	260	305	-
40	-	101	125	152	183	218	258	302	-
50	-	99	123	150	181	216	256	300	-
60	-	-	120	148	179	214	254	298	-
65	-	-	-	-	-	-	-	-	-

Coefficient of performance (C.O.P.)

5	-	-	-	-	-	-	-	-	-
15	-	2.64	3.28	4.12	5.29	-	-	-	-
20	-	2.31	2.84	3.53	4.44	5.69	-	-	-
30	-	1.75	2.15	2.63	3.23	3.99	5.00	6.42	-
40	-	1.28	1.59	1.94	2.36	2.87	3.51	4.34	-
50	-	0.88	1.11	1.38	1.68	2.04	2.47	3.01	-
60	-	-	0.71	0.90	1.12	1.38	1.68	2.04	-
65	-	-	-	-	-	-	-	-	-

Nominal performance at to = -10 °C, tc = 45 °C

Cooling capacity	4 268	W
Power input	2 595	W
Current consumption	3.97	A
Mass flow	151	kg/h
C.O.P.	1.64	

Pressure switch settings

Maximum HP switch setting	29.7	bar(g)
Minimum LP switch setting	1.3	bar(g)
LP pump down setting	1.6	bar(g)

Sound power data

Sound power level		dB(A)
With acoustic hood		dB(A)

to: Evaporating temperature at dew point

tc: Condensing temperature at dew point

Rating conditions : Superheat = 10 K , Subcooling = 0 K

Tolerance according EN12900

Danfoss can accept no responsibility for possible errors in catalogues, brochures and other printed material. Danfoss reserves the right to alter its products without notice. This also applies to products already on order provided that such alternations can be made without subsequential changes being necessary in specifications already agreed. All trademarks in this material are property of the respective companies. Danfoss and the Danfoss logotype are trademarks of Danfoss A/S. All rights reserved.

Performance data at 80 Hz, EN 12900 rating conditions, Suction temp. = 20 °C

R404A

Cond. temp. in °C (tc)	Evaporating temperature in °C (to)								
	-30	-20	-15	-10	-5	0	5	10	20

Cooling capacity in W

5	-	-	-	-	-	-	-	-	-
15	-	4 355	5 390	6 602	8 012	-	-	-	-
20	-	4 129	5 120	6 278	7 621	9 171	-	-	-
30	-	3 678	4 577	5 620	6 825	8 209	9 795	11 607	-
40	-	3 214	4 013	4 933	5 991	7 203	8 586	10 162	-
50	-	-	3 409	4 199	5 102	6 133	7 306	8 636	-
60	-	-	-	3 402	4 144	4 985	5 937	7 008	-
65	-	-	-	-	-	-	-	-	-

Power input in W

5	-	-	-	-	-	-	-	-	-
15	-	1 596	1 603	1 572	1 497	-	-	-	-
20	-	1 716	1 742	1 736	1 690	1 596	-	-	-
30	-	1 974	2 026	2 057	2 059	2 023	1 943	1 809	-
40	-	2 290	2 351	2 402	2 435	2 442	2 414	2 343	-
50	-	-	2 752	2 807	2 855	2 887	2 895	2 872	-
60	-	-	-	3 309	3 355	3 396	3 424	3 432	-
65	-	-	-	-	-	-	-	-	-

Current consumption in A

5	-	-	-	-	-	-	-	-	-
15	-	2.56	2.54	2.49	2.39	-	-	-	-
20	-	2.76	2.76	2.73	2.66	2.55	-	-	-
30	-	3.17	3.19	3.20	3.17	3.10	2.99	2.81	-
40	-	3.64	3.67	3.69	3.69	3.66	3.59	3.47	-
50	-	-	4.25	4.27	4.28	4.27	4.23	4.15	-
60	-	-	-	4.99	5.00	5.00	4.97	4.91	-
65	-	-	-	-	-	-	-	-	-

Mass flow in kg/h

5	-	-	-	-	-	-	-	-	-
15	-	93	115	142	174	-	-	-	-
20	-	92	114	141	173	210	-	-	-
30	-	90	113	140	171	208	252	305	-
40	-	88	111	138	169	207	250	302	-
50	-	-	109	136	168	205	249	300	-
60	-	-	-	134	166	203	247	298	-
65	-	-	-	-	-	-	-	-	-

Coefficient of performance (C.O.P.)

5	-	-	-	-	-	-	-	-	-
15	-	2.73	3.36	4.20	5.35	-	-	-	-
20	-	2.41	2.94	3.62	4.51	5.75	-	-	-
30	-	1.86	2.26	2.73	3.31	4.06	5.04	6.42	-
40	-	1.40	1.71	2.05	2.46	2.95	3.56	4.34	-
50	-	-	1.24	1.50	1.79	2.12	2.52	3.01	-
60	-	-	-	1.03	1.24	1.47	1.73	2.04	-
65	-	-	-	-	-	-	-	-	-

Nominal performance at to = -10 °C, tc = 45 °C

Cooling capacity	4 573	W
Power input	2 595	W
Current consumption	3.97	A
Mass flow	137	kg/h
C.O.P.	1.76	

Pressure switch settings

Maximum HP switch setting	29.7	bar(g)
Minimum LP switch setting	1.3	bar(g)
LP pump down setting	1.6	bar(g)

Sound power data

Sound power level		dB(A)
With acoustic hood		dB(A)

to: Evaporating temperature at dew point

tc: Condensing temperature at dew point

Rating conditions : Suction gas temp. = 20 °C , Subcooling = 0 K

Tolerance according EN12900

Danfoss can accept no responsibility for possible errors in catalogues, brochures and other printed material. Danfoss reserves the right to alter its products without notice. This also applies to products already on order provided that such alternations can be made without subsequential changes being necessary in specifications already agreed. All trademarks in this material are property of the respective companies. Danfoss and the Danfoss logotype are trademarks of Danfoss A/S. All rights reserved.

Performance data at 85 Hz, EN 12900 rating conditions

R404A

Cond. temp. in °C (tc)	Evaporating temperature in °C (to)							
	-30	-20	-15	-10	-5	0	5	10

Cooling capacity in W

5	-	-	-	-	-	-	-	-	-
15	-	4 464	5 566	6 866	8 384	-	-	-	-
20	-	4 200	5 255	6 497	7 948	9 628	-	-	-
30	-	3 670	4 624	5 744	7 052	8 569	10 316	12 314	-
40	-	3 122	3 965	4 954	6 110	7 454	9 007	10 791	-
50	-	2 536	3 259	4 108	5 102	6 264	7 614	9 174	-
60	-	-	2 486	3 185	4 009	4 980	6 118	7 444	-
65	-	-	-	-	-	-	-	-	-

Power input in W

5	-	-	-	-	-	-	-	-	-
15	-	1 725	1 736	1 707	1 630	-	-	-	-
20	-	1 851	1 882	1 879	1 834	1 738	-	-	-
30	-	2 123	2 182	2 218	2 224	2 190	2 108	1 970	-
40	-	2 453	2 523	2 581	2 620	2 631	2 605	2 534	-
50	-	2 880	2 943	3 006	3 061	3 100	3 113	3 093	-
60	-	-	3 479	3 530	3 585	3 634	3 669	3 682	-
65	-	-	-	-	-	-	-	-	-

Current consumption in A

5	-	-	-	-	-	-	-	-	-
15	-	2.72	2.70	2.66	2.58	-	-	-	-
20	-	2.93	2.93	2.90	2.84	2.74	-	-	-
30	-	3.35	3.37	3.38	3.36	3.30	3.19	3.02	-
40	-	3.84	3.86	3.89	3.90	3.88	3.81	3.69	-
50	-	4.45	4.47	4.50	4.52	4.52	4.49	4.42	-
60	-	-	5.24	5.26	5.28	5.30	5.29	5.24	-
65	-	-	-	-	-	-	-	-	-

Mass flow in kg/h

5	-	-	-	-	-	-	-	-	-
15	-	113	138	166	199	-	-	-	-
20	-	112	137	165	198	235	-	-	-
30	-	110	135	164	196	234	276	323	-
40	-	108	133	162	195	232	274	321	-
50	-	105	131	160	193	230	272	319	-
60	-	-	128	157	190	228	270	317	-
65	-	-	-	-	-	-	-	-	-

Coefficient of performance (C.O.P.)

5	-	-	-	-	-	-	-	-	-
15	-	2.59	3.21	4.02	5.14	-	-	-	-
20	-	2.27	2.79	3.46	4.33	5.54	-	-	-
30	-	1.73	2.12	2.59	3.17	3.91	4.89	6.25	-
40	-	1.27	1.57	1.92	2.33	2.83	3.46	4.26	-
50	-	0.88	1.11	1.37	1.67	2.02	2.45	2.97	-
60	-	-	0.71	0.90	1.12	1.37	1.67	2.02	-
65	-	-	-	-	-	-	-	-	-

Nominal performance at to = -10 °C, tc = 45 °C

Cooling capacity	4 539	W
Power input	2 783	W
Current consumption	4.18	A
Mass flow	161	kg/h
C.O.P.	1.63	

Pressure switch settings

Maximum HP switch setting	29.7	bar(g)
Minimum LP switch setting	1.3	bar(g)
LP pump down setting	1.6	bar(g)

Sound power data

Sound power level		dB(A)
With acoustic hood		dB(A)

to: Evaporating temperature at dew point

tc: Condensing temperature at dew point

Rating conditions : Superheat = 10 K , Subcooling = 0 K

Tolerance according EN12900

Danfoss can accept no responsibility for possible errors in catalogues, brochures and other printed material. Danfoss reserves the right to alter its products without notice. This also applies to products already on order provided that such alternations can be made without subsequential changes being necessary in specifications already agreed. All trademarks in this material are property of the respective companies. Danfoss and the Danfoss logotype are trademarks of Danfoss A/S. All rights reserved.

Performance data at 85 Hz, EN 12900 rating conditions, Suction temp. = 20 °C

R404A

Cond. temp. in °C (tc)	Evaporating temperature in °C (to)								
	-30	-20	-15	-10	-5	0	5	10	20

Cooling capacity in W

5	-	-	-	-	-	-	-	-	-
15	-	4 617	5 712	6 995	8 487	-	-	-	-
20	-	4 381	5 431	6 658	8 080	9 721	-	-	-
30	-	3 908	4 863	5 969	7 246	8 714	10 394	12 314	-
40	-	3 418	4 268	5 245	6 367	7 653	9 120	10 791	-
50	-	-	3 627	4 467	5 425	6 519	7 764	9 174	-
60	-	-	-	3 619	4 407	5 299	6 309	7 444	-
65	-	-	-	-	-	-	-	-	-

Power input in W

5	-	-	-	-	-	-	-	-	-
15	-	1 725	1 736	1 707	1 630	-	-	-	-
20	-	1 851	1 882	1 879	1 834	1 738	-	-	-
30	-	2 123	2 182	2 218	2 224	2 190	2 108	1 970	-
40	-	2 453	2 523	2 581	2 620	2 631	2 605	2 534	-
50	-	-	2 943	3 006	3 061	3 100	3 113	3 093	-
60	-	-	-	3 530	3 585	3 634	3 669	3 682	-
65	-	-	-	-	-	-	-	-	-

Current consumption in A

5	-	-	-	-	-	-	-	-	-
15	-	2.72	2.70	2.66	2.58	-	-	-	-
20	-	2.93	2.93	2.90	2.84	2.74	-	-	-
30	-	3.35	3.37	3.38	3.36	3.30	3.19	3.02	-
40	-	3.84	3.86	3.89	3.90	3.88	3.81	3.69	-
50	-	-	4.47	4.50	4.52	4.52	4.49	4.42	-
60	-	-	-	5.26	5.28	5.30	5.29	5.24	-
65	-	-	-	-	-	-	-	-	-

Mass flow in kg/h

5	-	-	-	-	-	-	-	-	-
15	-	98	122	150	184	-	-	-	-
20	-	97	121	150	183	223	-	-	-
30	-	96	120	148	182	221	268	323	-
40	-	94	118	147	180	219	266	321	-
50	-	-	116	145	178	218	264	319	-
60	-	-	-	142	176	216	262	317	-
65	-	-	-	-	-	-	-	-	-

Coefficient of performance (C.O.P.)

5	-	-	-	-	-	-	-	-	-
15	-	2.68	3.29	4.10	5.21	-	-	-	-
20	-	2.37	2.89	3.54	4.41	5.59	-	-	-
30	-	1.84	2.23	2.69	3.26	3.98	4.93	6.25	-
40	-	1.39	1.69	2.03	2.43	2.91	3.50	4.26	-
50	-	-	1.23	1.49	1.77	2.10	2.49	2.97	-
60	-	-	-	1.03	1.23	1.46	1.72	2.02	-
65	-	-	-	-	-	-	-	-	-

Nominal performance at to = -10 °C, tc = 45 °C

Cooling capacity	4 864	W
Power input	2 783	W
Current consumption	4.18	A
Mass flow	146	kg/h
C.O.P.	1.75	

Pressure switch settings

Maximum HP switch setting	29.7	bar(g)
Minimum LP switch setting	1.3	bar(g)
LP pump down setting	1.6	bar(g)

Sound power data

Sound power level		dB(A)
With acoustic hood		dB(A)

to: Evaporating temperature at dew point

tc: Condensing temperature at dew point

Rating conditions : Suction gas temp. = 20 °C , Subcooling = 0 K

Tolerance according EN12900

Danfoss can accept no responsibility for possible errors in catalogues, brochures and other printed material. Danfoss reserves the right to alter its products without notice. This also applies to products already on order provided that such alternations can be made without subsequential changes being necessary in specifications already agreed. All trademarks in this material are property of the respective companies. Danfoss and the Danfoss logotype are trademarks of Danfoss A/S. All rights reserved.

Performance data at 90 Hz, EN 12900 rating conditions

R404A

Cond. temp. in °C (tc)	Evaporating temperature in °C (to)							
	-30	-20	-15	-10	-5	0	5	10

Cooling capacity in W

5	-	-	-	-	-	-	-	-	-
15	-	4 714	5 876	7 246	8 847	-	-	-	-
20	-	4 439	5 553	6 864	8 395	10 167	-	-	-
30	-	3 885	4 894	6 078	7 460	9 062	10 907	13 017	-
40	-	3 308	4 201	5 248	6 470	7 891	9 533	11 417	-
50	-	2 689	3 455	4 353	5 406	6 634	8 062	9 711	-
60	-	-	2 637	3 376	4 248	5 273	6 476	7 879	-
65	-	-	-	-	-	-	-	-	-

Power input in W

5	-	-	-	-	-	-	-	-	-
15	-	1 859	1 873	1 846	1 769	-	-	-	-
20	-	1 991	2 027	2 028	1 984	1 887	-	-	-
30	-	2 277	2 342	2 384	2 394	2 362	2 280	2 138	-
40	-	2 621	2 699	2 765	2 810	2 826	2 803	2 733	-
50	-	3 065	3 137	3 209	3 272	3 318	3 337	3 320	-
60	-	-	3 695	3 755	3 819	3 877	3 920	3 939	-
65	-	-	-	-	-	-	-	-	-

Current consumption in A

5	-	-	-	-	-	-	-	-	-
15	-	2.89	2.87	2.84	2.77	-	-	-	-
20	-	3.10	3.10	3.08	3.04	2.94	-	-	-
30	-	3.53	3.55	3.56	3.55	3.51	3.40	3.22	-
40	-	4.03	4.05	4.08	4.10	4.10	4.04	3.93	-
50	-	4.67	4.68	4.72	4.75	4.77	4.76	4.69	-
60	-	-	5.50	5.52	5.56	5.60	5.61	5.58	-
65	-	-	-	-	-	-	-	-	-

Mass flow in kg/h

5	-	-	-	-	-	-	-	-	-
15	-	119	145	175	210	-	-	-	-
20	-	118	144	175	209	249	-	-	-
30	-	116	143	173	208	247	291	342	-
40	-	114	141	171	206	245	290	340	-
50	-	112	139	169	204	243	288	338	-
60	-	-	136	167	202	241	286	335	-
65	-	-	-	-	-	-	-	-	-

Coefficient of performance (C.O.P.)

5	-	-	-	-	-	-	-	-	-
15	-	2.54	3.14	3.92	5.00	-	-	-	-
20	-	2.23	2.74	3.38	4.23	5.39	-	-	-
30	-	1.71	2.09	2.55	3.12	3.84	4.78	6.09	-
40	-	1.26	1.56	1.90	2.30	2.79	3.40	4.18	-
50	-	0.88	1.10	1.36	1.65	2.00	2.42	2.92	-
60	-	-	0.71	0.90	1.11	1.36	1.65	2.00	-
65	-	-	-	-	-	-	-	-	-

Nominal performance at to = -10 °C, tc = 45 °C

Cooling capacity	4 810	W
Power input	2 977	W
Current consumption	4.38	A
Mass flow	170	kg/h
C.O.P.	1.62	

Pressure switch settings

Maximum HP switch setting	29.7	bar(g)
Minimum LP switch setting	1.3	bar(g)
LP pump down setting	1.6	bar(g)

Sound power data

Sound power level		dB(A)
With acoustic hood		dB(A)

to: Evaporating temperature at dew point

tc: Condensing temperature at dew point

Rating conditions : Superheat = 10 K , Subcooling = 0 K

Tolerance according EN12900

Danfoss can accept no responsibility for possible errors in catalogues, brochures and other printed material. Danfoss reserves the right to alter its products without notice. This also applies to products already on order provided that such alternations can be made without subsequential changes being necessary in specifications already agreed. All trademarks in this material are property of the respective companies. Danfoss and the Danfoss logotype are trademarks of Danfoss A/S. All rights reserved.

Performance data at 90 Hz, EN 12900 rating conditions, Suction temp. = 20 °C

R404A

Cond. temp. in °C (tc)	Evaporating temperature in °C (to)								
	-30	-20	-15	-10	-5	0	5	10	20

Cooling capacity in W

5	-	-	-	-	-	-	-	-	-
15	-	4 875	6 029	7 382	8 955	-	-	-	-
20	-	4 630	5 739	7 033	8 534	10 265	-	-	-
30	-	4 137	5 147	6 316	7 665	9 215	10 990	13 017	-
40	-	3 622	4 521	5 555	6 742	8 101	9 652	11 417	-
50	-	-	3 845	4 734	5 748	6 905	8 220	9 711	-
60	-	-	-	3 837	4 669	5 612	6 679	7 879	-
65	-	-	-	-	-	-	-	-	-

Power input in W

5	-	-	-	-	-	-	-	-	-
15	-	1 859	1 873	1 846	1 769	-	-	-	-
20	-	1 991	2 027	2 028	1 984	1 887	-	-	-
30	-	2 277	2 342	2 384	2 394	2 362	2 280	2 138	-
40	-	2 621	2 699	2 765	2 810	2 826	2 803	2 733	-
50	-	-	3 137	3 209	3 272	3 318	3 337	3 320	-
60	-	-	-	3 755	3 819	3 877	3 920	3 939	-
65	-	-	-	-	-	-	-	-	-

Current consumption in A

5	-	-	-	-	-	-	-	-	-
15	-	2.89	2.87	2.84	2.77	-	-	-	-
20	-	3.10	3.10	3.08	3.04	2.94	-	-	-
30	-	3.53	3.55	3.56	3.55	3.51	3.40	3.22	-
40	-	4.03	4.05	4.08	4.10	4.10	4.04	3.93	-
50	-	-	4.68	4.72	4.75	4.77	4.76	4.69	-
60	-	-	-	5.52	5.56	5.60	5.61	5.58	-
65	-	-	-	-	-	-	-	-	-

Mass flow in kg/h

5	-	-	-	-	-	-	-	-	-
15	-	104	129	159	194	-	-	-	-
20	-	103	128	158	194	235	-	-	-
30	-	101	127	157	192	234	283	342	-
40	-	100	125	155	191	232	281	340	-
50	-	-	123	153	189	230	280	338	-
60	-	-	-	151	187	228	277	335	-
65	-	-	-	-	-	-	-	-	-

Coefficient of performance (C.O.P.)

5	-	-	-	-	-	-	-	-	-
15	-	2.62	3.22	4.00	5.06	-	-	-	-
20	-	2.33	2.83	3.47	4.30	5.44	-	-	-
30	-	1.82	2.20	2.65	3.20	3.90	4.82	6.09	-
40	-	1.38	1.68	2.01	2.40	2.87	3.44	4.18	-
50	-	-	1.23	1.48	1.76	2.08	2.46	2.92	-
60	-	-	-	1.02	1.22	1.45	1.70	2.00	-
65	-	-	-	-	-	-	-	-	-

Nominal performance at to = -10 °C, tc = 45 °C

Cooling capacity	5 153	W
Power input	2 977	W
Current consumption	4.38	A
Mass flow	154	kg/h
C.O.P.	1.73	

Pressure switch settings

Maximum HP switch setting	29.7	bar(g)
Minimum LP switch setting	1.3	bar(g)
LP pump down setting	1.6	bar(g)

Sound power data

Sound power level		dB(A)
With acoustic hood		dB(A)

to: Evaporating temperature at dew point

tc: Condensing temperature at dew point

Rating conditions : Suction gas temp. = 20 °C , Subcooling = 0 K

Tolerance according EN12900

Danfoss can accept no responsibility for possible errors in catalogues, brochures and other printed material. Danfoss reserves the right to alter its products without notice. This also applies to products already on order provided that such alternations can be made without subsequential changes being necessary in specifications already agreed. All trademarks in this material are property of the respective companies. Danfoss and the Danfoss logotype are trademarks of Danfoss A/S. All rights reserved.

Performance data at 95 Hz, EN 12900 rating conditions

R404A

Cond. temp. in °C (tc)	Evaporating temperature in °C (to)								
	-30	-20	-15	-10	-5	0	5	10	20

Cooling capacity in W

5	-	-	-	-	-	-	-	-	-
15	-	4 960	6 181	7 621	9 303	-	-	-	-
20	-	4 676	5 848	7 227	8 837	10 701	-	-	-
30	-	4 099	5 163	6 410	7 866	9 553	11 495	13 715	-
40	-	3 494	4 436	5 540	6 829	8 327	10 056	12 042	-
50	-	2 842	3 651	4 599	5 708	7 004	8 509	10 246	-
60	-	-	2 788	3 567	4 485	5 566	6 833	8 311	-
65	-	-	-	-	-	-	-	-	-

Power input in W

5	-	-	-	-	-	-	-	-	-
15	-	1 997	2 016	1 992	1 914	-	-	-	-
20	-	2 136	2 178	2 182	2 140	2 042	-	-	-
30	-	2 434	2 507	2 555	2 570	2 540	2 458	2 313	-
40	-	2 793	2 879	2 953	3 006	3 027	3 007	2 938	-
50	-	3 253	3 335	3 416	3 489	3 542	3 567	3 554	-
60	-	-	3 914	3 984	4 058	4 126	4 177	4 203	-
65	-	-	-	-	-	-	-	-	-

Current consumption in A

5	-	-	-	-	-	-	-	-	-
15	-	3.06	3.05	3.03	2.97	-	-	-	-
20	-	3.27	3.27	3.26	3.23	3.15	-	-	-
30	-	3.71	3.72	3.74	3.75	3.71	3.62	3.44	-
40	-	4.23	4.24	4.28	4.31	4.32	4.28	4.17	-
50	-	4.89	4.90	4.94	4.99	5.03	5.03	4.98	-
60	-	-	5.75	5.79	5.85	5.91	5.94	5.94	-
65	-	-	-	-	-	-	-	-	-

Mass flow in kg/h

5	-	-	-	-	-	-	-	-	-
15	-	125	153	184	221	-	-	-	-
20	-	124	152	184	220	262	-	-	-
30	-	123	151	183	219	260	307	360	-
40	-	121	149	181	218	259	306	358	-
50	-	118	146	179	216	257	304	356	-
60	-	-	143	176	213	254	301	354	-
65	-	-	-	-	-	-	-	-	-

Coefficient of performance (C.O.P.)

5	-	-	-	-	-	-	-	-	-
15	-	2.48	3.07	3.83	4.86	-	-	-	-
20	-	2.19	2.69	3.31	4.13	5.24	-	-	-
30	-	1.68	2.06	2.51	3.06	3.76	4.68	5.93	-
40	-	1.25	1.54	1.88	2.27	2.75	3.34	4.10	-
50	-	0.87	1.09	1.35	1.64	1.98	2.39	2.88	-
60	-	-	0.71	0.90	1.11	1.35	1.64	1.98	-
65	-	-	-	-	-	-	-	-	-

Nominal performance at to = -10 °C, tc = 45 °C

Cooling capacity	5 079	W
Power input	3 174	W
Current consumption	4.59	A
Mass flow	180	kg/h
C.O.P.	1.60	

Pressure switch settings

Maximum HP switch setting	29.7	bar(g)
Minimum LP switch setting	1.3	bar(g)
LP pump down setting	1.6	bar(g)

Sound power data

Sound power level		dB(A)
With acoustic hood		dB(A)

to: Evaporating temperature at dew point

tc: Condensing temperature at dew point

Rating conditions : Superheat = 10 K , Subcooling = 0 K

Tolerance according EN12900

Danfoss can accept no responsibility for possible errors in catalogues, brochures and other printed material. Danfoss reserves the right to alter its products without notice. This also applies to products already on order provided that such alternations can be made without subsequential changes being necessary in specifications already agreed. All trademarks in this material are property of the respective companies. Danfoss and the Danfoss logotype are trademarks of Danfoss A/S. All rights reserved.

Performance data at 95 Hz, EN 12900 rating conditions, Suction temp. = 20 °C

R404A

Cond. temp. in °C (tc)	Evaporating temperature in °C (to)								
	-30	-20	-15	-10	-5	0	5	10	20

Cooling capacity in W

5	-	-	-	-	-	-	-	-	-
15	-	5 129	6 343	7 764	9 417	-	-	-	-
20	-	4 878	6 044	7 406	8 984	10 803	-	-	-
30	-	4 365	5 429	6 661	8 082	9 714	11 582	13 715	-
40	-	3 825	4 775	5 865	7 117	8 548	10 182	12 042	-
50	-	-	4 063	5 000	6 070	7 289	8 675	10 246	-
60	-	-	-	4 053	4 930	5 924	7 047	8 311	-
65	-	-	-	-	-	-	-	-	-

Power input in W

5	-	-	-	-	-	-	-	-	-
15	-	1 997	2 016	1 992	1 914	-	-	-	-
20	-	2 136	2 178	2 182	2 140	2 042	-	-	-
30	-	2 434	2 507	2 555	2 570	2 540	2 458	2 313	-
40	-	2 793	2 879	2 953	3 006	3 027	3 007	2 938	-
50	-	-	3 335	3 416	3 489	3 542	3 567	3 554	-
60	-	-	-	3 984	4 058	4 126	4 177	4 203	-
65	-	-	-	-	-	-	-	-	-

Current consumption in A

5	-	-	-	-	-	-	-	-	-
15	-	3.06	3.05	3.03	2.97	-	-	-	-
20	-	3.27	3.27	3.26	3.23	3.15	-	-	-
30	-	3.71	3.72	3.74	3.75	3.71	3.62	3.44	-
40	-	4.23	4.24	4.28	4.31	4.32	4.28	4.17	-
50	-	-	4.90	4.94	4.99	5.03	5.03	4.98	-
60	-	-	-	5.79	5.85	5.91	5.94	5.94	-
65	-	-	-	-	-	-	-	-	-

Mass flow in kg/h

5	-	-	-	-	-	-	-	-	-
15	-	109	136	167	204	-	-	-	-
20	-	108	135	167	204	248	-	-	-
30	-	107	134	165	203	247	298	360	-
40	-	105	132	164	201	245	297	358	-
50	-	-	130	162	199	243	295	356	-
60	-	-	-	159	197	241	293	354	-
65	-	-	-	-	-	-	-	-	-

Coefficient of performance (C.O.P.)

5	-	-	-	-	-	-	-	-	-
15	-	2.57	3.15	3.90	4.92	-	-	-	-
20	-	2.28	2.78	3.39	4.20	5.29	-	-	-
30	-	1.79	2.17	2.61	3.15	3.82	4.71	5.93	-
40	-	1.37	1.66	1.99	2.37	2.82	3.39	4.10	-
50	-	-	1.22	1.46	1.74	2.06	2.43	2.88	-
60	-	-	-	1.02	1.21	1.44	1.69	1.98	-
65	-	-	-	-	-	-	-	-	-

Nominal performance at to = -10 °C, tc = 45 °C

Cooling capacity	5 442	W
Power input	3 174	W
Current consumption	4.59	A
Mass flow	163	kg/h
C.O.P.	1.71	

Pressure switch settings

Maximum HP switch setting	29.7	bar(g)
Minimum LP switch setting	1.3	bar(g)
LP pump down setting	1.6	bar(g)

Sound power data

Sound power level		dB(A)
With acoustic hood		dB(A)

to: Evaporating temperature at dew point

tc: Condensing temperature at dew point

Rating conditions : Suction gas temp. = 20 °C , Subcooling = 0 K

Tolerance according EN12900

Danfoss can accept no responsibility for possible errors in catalogues, brochures and other printed material. Danfoss reserves the right to alter its products without notice. This also applies to products already on order provided that such alternations can be made without subsequential changes being necessary in specifications already agreed. All trademarks in this material are property of the respective companies. Danfoss and the Danfoss logotype are trademarks of Danfoss A/S. All rights reserved.

Performance data at 100 Hz, EN 12900 rating conditions

R404A

Cond. temp. in °C (tc)	Evaporating temperature in °C (to)							
	-30	-20	-15	-10	-5	0	5	10

Cooling capacity in W

5	-	-	-	-	-	-	-	-	-
15	-	5 203	6 483	7 991	9 753	-	-	-	-
20	-	4 911	6 140	7 587	9 275	11 229	-	-	-
30	-	4 312	5 430	6 741	8 270	10 041	12 079	14 409	-
40	-	3 679	4 671	5 832	7 187	8 761	10 578	12 663	-
50	-	2 994	3 846	4 843	6 011	7 372	8 954	10 780	-
60	-	-	2 938	3 757	4 722	5 858	7 189	8 741	-
65	-	-	-	-	-	-	-	-	-

Power input in W

5	-	-	-	-	-	-	-	-	-
15	-	2 140	2 164	2 142	2 066	-	-	-	-
20	-	2 285	2 333	2 341	2 301	2 203	-	-	-
30	-	2 596	2 677	2 732	2 751	2 725	2 643	2 496	-
40	-	2 968	3 064	3 147	3 207	3 234	3 218	3 150	-
50	-	3 445	3 536	3 628	3 710	3 771	3 803	3 796	-
60	-	-	4 135	4 217	4 302	4 379	4 440	4 474	-
65	-	-	-	-	-	-	-	-	-

Current consumption in A

5	-	-	-	-	-	-	-	-	-
15	-	3.23	3.23	3.22	3.18	-	-	-	-
20	-	3.44	3.45	3.45	3.44	3.37	-	-	-
30	-	3.89	3.90	3.93	3.94	3.92	3.84	3.66	-
40	-	4.43	4.43	4.47	4.52	4.54	4.51	4.41	-
50	-	5.11	5.11	5.16	5.22	5.28	5.31	5.27	-
60	-	-	6.00	6.05	6.13	6.22	6.29	6.31	-
65	-	-	-	-	-	-	-	-	-

Mass flow in kg/h

5	-	-	-	-	-	-	-	-	-
15	-	131	160	193	231	-	-	-	-
20	-	131	160	193	231	274	-	-	-
30	-	129	159	192	230	274	323	378	-
40	-	127	157	191	229	272	322	377	-
50	-	124	154	188	227	270	320	375	-
60	-	-	151	185	224	268	317	372	-
65	-	-	-	-	-	-	-	-	-

Coefficient of performance (C.O.P.)

5	-	-	-	-	-	-	-	-	-
15	-	2.43	3.00	3.73	4.72	-	-	-	-
20	-	2.15	2.63	3.24	4.03	5.10	-	-	-
30	-	1.66	2.03	2.47	3.01	3.68	4.57	5.77	-
40	-	1.24	1.52	1.85	2.24	2.71	3.29	4.02	-
50	-	0.87	1.09	1.33	1.62	1.95	2.35	2.84	-
60	-	-	0.71	0.89	1.10	1.34	1.62	1.95	-
65	-	-	-	-	-	-	-	-	-

Nominal performance at to = -10 °C, tc = 45 °C

Cooling capacity	5 349	W
Power input	3 377	W
Current consumption	4.79	A
Mass flow	190	kg/h
C.O.P.	1.58	

Pressure switch settings

Maximum HP switch setting	29.7	bar(g)
Minimum LP switch setting	1.3	bar(g)
LP pump down setting	1.6	bar(g)

Sound power data

Sound power level		dB(A)
With acoustic hood		dB(A)

to: Evaporating temperature at dew point

tc: Condensing temperature at dew point

Rating conditions : Superheat = 10 K , Subcooling = 0 K

Tolerance according EN12900

Danfoss can accept no responsibility for possible errors in catalogues, brochures and other printed material. Danfoss reserves the right to alter its products without notice. This also applies to products already on order provided that such alternations can be made without subsequential changes being necessary in specifications already agreed. All trademarks in this material are property of the respective companies. Danfoss and the Danfoss logotype are trademarks of Danfoss A/S. All rights reserved.

Performance data at 100 Hz, EN 12900 rating conditions, Suction temp. = 20 °C

R404A

Cond. temp. in °C (tc)	Evaporating temperature in °C (to)								
	-30	-20	-15	-10	-5	0	5	10	20

Cooling capacity in W

5	-	-	-	-	-	-	-	-	-
15	-	5 381	6 653	8 142	9 872	-	-	-	-
20	-	5 122	6 347	7 774	9 429	11 336	-	-	-
30	-	4 592	5 710	7 005	8 497	10 210	12 171	14 409	-
40	-	4 028	5 027	6 174	7 490	8 994	10 711	12 663	-
50	-	-	4 280	5 267	6 391	7 673	9 129	10 780	-
60	-	-	-	4 269	5 190	6 234	7 414	8 741	-
65	-	-	-	-	-	-	-	-	-

Power input in W

5	-	-	-	-	-	-	-	-	-
15	-	2 140	2 164	2 142	2 066	-	-	-	-
20	-	2 285	2 333	2 341	2 301	2 203	-	-	-
30	-	2 596	2 677	2 732	2 751	2 725	2 643	2 496	-
40	-	2 968	3 064	3 147	3 207	3 234	3 218	3 150	-
50	-	-	3 536	3 628	3 710	3 771	3 803	3 796	-
60	-	-	-	4 217	4 302	4 379	4 440	4 474	-
65	-	-	-	-	-	-	-	-	-

Current consumption in A

5	-	-	-	-	-	-	-	-	-
15	-	3.23	3.23	3.22	3.18	-	-	-	-
20	-	3.44	3.45	3.45	3.44	3.37	-	-	-
30	-	3.89	3.90	3.93	3.94	3.92	3.84	3.66	-
40	-	4.43	4.43	4.47	4.52	4.54	4.51	4.41	-
50	-	-	5.11	5.16	5.22	5.28	5.31	5.27	-
60	-	-	-	6.05	6.13	6.22	6.29	6.31	-
65	-	-	-	-	-	-	-	-	-

Mass flow in kg/h

5	-	-	-	-	-	-	-	-	-
15	-	114	142	175	214	-	-	-	-
20	-	114	142	175	214	260	-	-	-
30	-	113	141	174	213	259	314	378	-
40	-	111	139	173	212	258	312	377	-
50	-	-	137	171	210	256	310	375	-
60	-	-	-	168	207	254	308	372	-
65	-	-	-	-	-	-	-	-	-

Coefficient of performance (C.O.P.)

5	-	-	-	-	-	-	-	-	-
15	-	2.51	3.07	3.80	4.78	-	-	-	-
20	-	2.24	2.72	3.32	4.10	5.15	-	-	-
30	-	1.77	2.13	2.56	3.09	3.75	4.60	5.77	-
40	-	1.36	1.64	1.96	2.34	2.78	3.33	4.02	-
50	-	-	1.21	1.45	1.72	2.03	2.40	2.84	-
60	-	-	-	1.01	1.21	1.42	1.67	1.95	-
65	-	-	-	-	-	-	-	-	-

Nominal performance at to = -10 °C, tc = 45 °C

Cooling capacity	5 731	W
Power input	3 377	W
Current consumption	4.79	A
Mass flow	172	kg/h
C.O.P.	1.70	

Pressure switch settings

Maximum HP switch setting	29.7	bar(g)
Minimum LP switch setting	1.3	bar(g)
LP pump down setting	1.6	bar(g)

Sound power data

Sound power level		dB(A)
With acoustic hood		dB(A)

to: Evaporating temperature at dew point

tc: Condensing temperature at dew point

Rating conditions : Suction gas temp. = 20 °C , Subcooling = 0 K

Tolerance according EN12900

Danfoss can accept no responsibility for possible errors in catalogues, brochures and other printed material. Danfoss reserves the right to alter its products without notice. This also applies to products already on order provided that such alternations can be made without subsequential changes being necessary in specifications already agreed. All trademarks in this material are property of the respective companies. Danfoss and the Danfoss logotype are trademarks of Danfoss A/S. All rights reserved.