

Catalogue

Optyma™ Standard reliable condensing units

R404A/R507, R134a, R452A, R407C, R407A, R407F - 50Hz



Standard reliable condensing units	4
Features and cooling capacity	5
Main product features.....	5
Capacity & Operating range.....	5
Designation system	6
Performance data - R452A - LBP - Fractional units	7
Performance data - R452A - LBP - Integral units	8
Performance data - R404A - LBP - Fractional units	9
Performance data - R404A - LBP - Integral units	11
Performance data - R404A - MBP - Fractional units	12
Performance data - R404A - MBP - Integral units	13
Standard condenser.....	13
Oversized condenser.....	14
Performance data - R134a - MBP - Fractional units	16
Performance data - R134a - MBP - Integral units	18
Standard condenser.....	18
Oversized condenser.....	20
Performance data - R407C - MBP - Integral units	22
Standard condenser.....	22
Oversized condenser.....	24
Performance data - R407A - MBP - Integral units	26
Standard condenser.....	26
Oversized condenser.....	28
Performance data - R407F - MBP - Integral units	30
Standard condenser.....	30
Oversized condenser.....	32
Technical Data - Fractional units	34
Technical Data - Integral units	35
Spare parts & accessories - LBP - Fractional units	36
Spare parts & accessories - MBP - Fractional units	38
Spare parts & accessories - LBP - Integral units	40
Spare parts & accessories - MBP - Integral units	41
Spare parts & accessories list - Fractional units	43
Spare parts & accessories list - Integral units	44
Dimensions	45
Wiring diagrams	47
Related products	49



Reduce your customers' running costs

Danfoss Optyma™ condensing is a very energy-efficient solution for your application. Thanks to high efficiency fan motors, large heat transfer area and high COP of our compressors you are going to reduce the energy consumption significantly and therefore cut the energy bill.



Optimise your stock and logistics

Most Danfoss Optyma™ condensing units can be used with R404A/R507 as well as R134a, R407A, R407F, R407C, R452A. A multifunctional condensing unit for a wide variety of applications. It will reduce your stock and improve your logistics.



Installation just got easier

Danfoss Optyma™ condensing unit saves costs for service and maintenance. The high robustness and easy access to all components, reduce costs for installation even in very harsh environments.



No compromise on quality

We at Danfoss do not accept any concessions regarding quality & reliability for our products. With Optyma™ we provide 100% factory tested units to our customers with a premium quality.



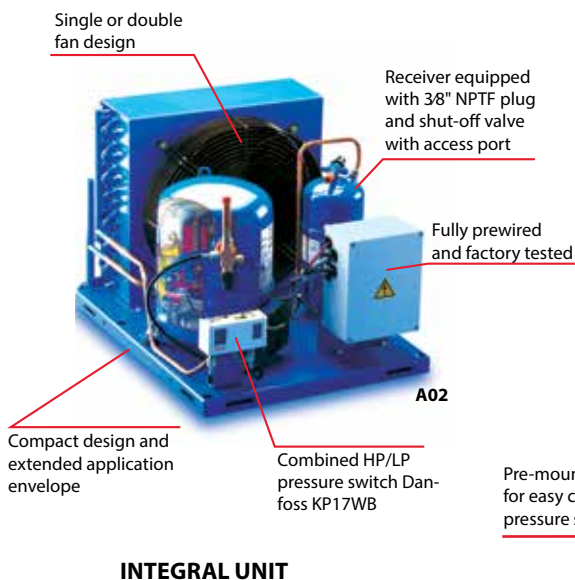
Increase business opportunity with complete range of condensing units

With Danfoss Optyma™ cooling capacity almost has no limits. Thanks to wide range of condensing units for LBP, MBP and HBP applications and thanks to a real multi refrigerant solution, Danfoss Optyma™ condensing unit meets all your needs in refrigeration applications.

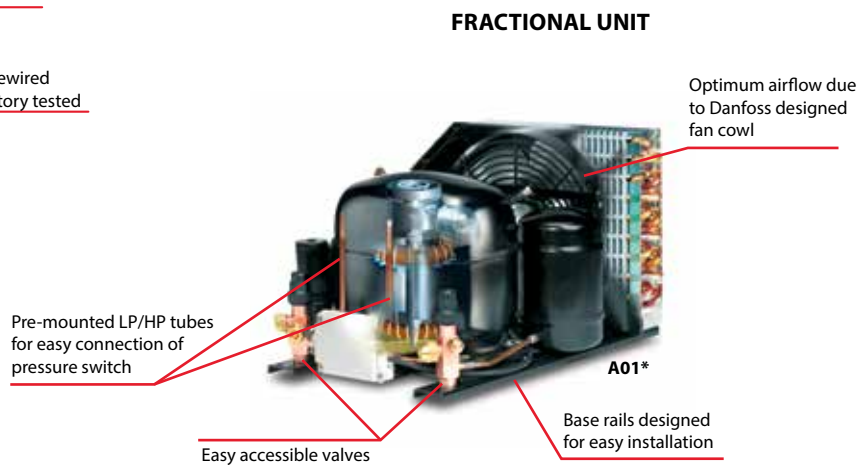


Environmental friendly

Optyma™ Condensing units meet Ecodesign 2016 targets and Energy related Product (ErP) directive applicable for fan motors. In addition, Optyma™ Condensing units are qualified with Low GWP refrigerants reducing environmental impact.



INTEGRAL UNIT



FRACTIONAL UNIT

* Version
 A00: Without valves & receiver for capillary tubes
 A04: A01 + KP17WB + FSA-Kit + Power cord



For more information related to EcoDesign compliance, please refer to Coolselector® coolselector.danfoss.com or contact Danfoss



Main product features

Powder coated steel parts and crankcase heater as standard

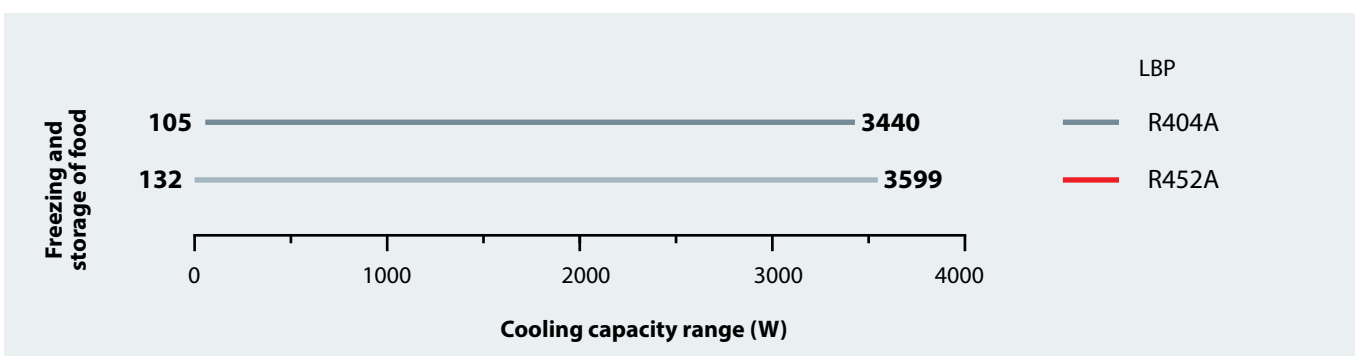
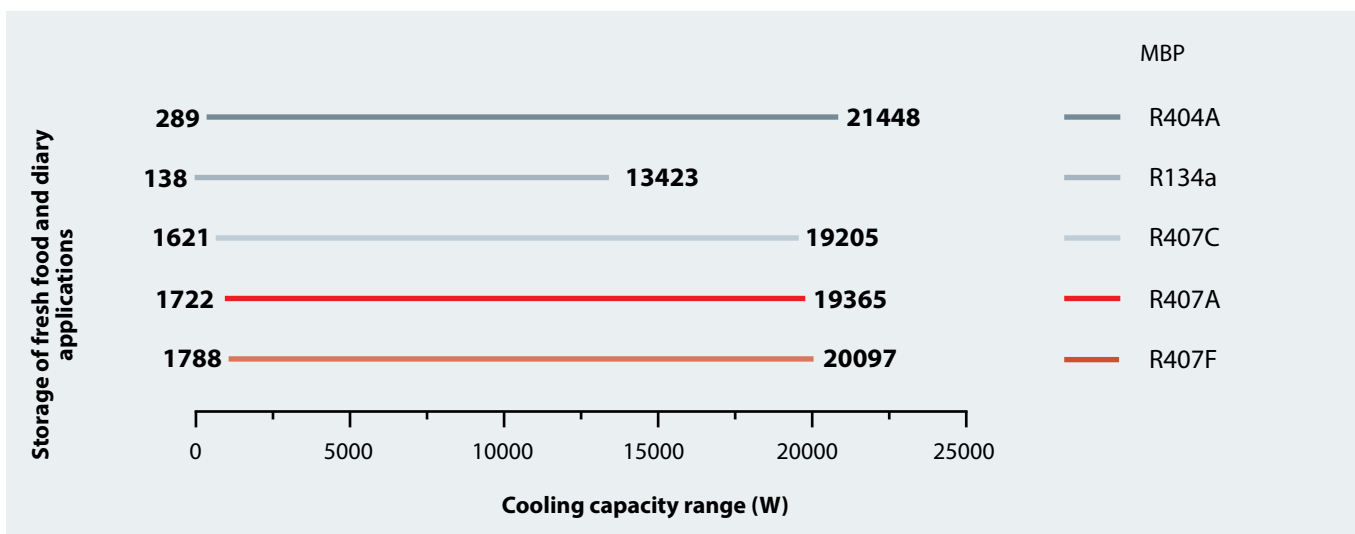
Multi refrigerants (R134a, R404A, R507, R407C, R407A, R407F)

High efficiency with optimized compressors

Service valves with access ports and access valves/stubs for easy connection

100% factory tested

Capacity & Operating range



MBP Rated conditions, Saturated suction temperature -10°C. Ambient air temperature +32°C. Return Gas Temperature 20°C. Subcooling 0K.
 LBP Rated conditions, Saturated suction temperature -35°C. Ambient air temperature +32°C. Return Gas Temperature 20°C. Subcooling 0K.

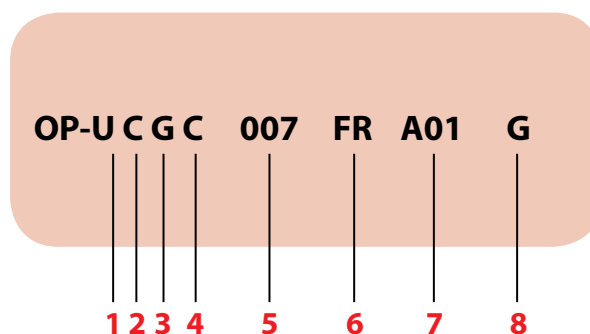
OptyMa™ units can work in the following evaporating temperature range:

- LBP R404A -40°C to -10°C
- LBP R452A -40°C to -10°C
- MBP R404A -20°C to +10°C
- MBP R407A /R407F -20°C to +10°C
- MBP R134a -15°C to +15°C
- MBP R407C -15°C to +10°C

For further detailed information, please contact Danfoss or use dedicated software.

Designation system for the Optyma™ standard program

(additional program frequency etc.: please contact your local wholesaler)



1 Application	M = MBP L = LBP U = LBP/MBP/HBP
2 Platform or Design	C = Air Cooled CU using 1 fan & hermetic compressor G = Air Cooled CU using 2 fans & hermetic compressor
3 Refrigerant	Q= R452A/R404A/R507 ; G=R134A ; H = R404A/R507 Z= R404A/R507/R134a/R407A/R407F/R407C
4 Condenser	C = Standard condenser designed to achieve 43°C D = Oversized condenser designed to achieve 48°C
5 Displacement	Displacement in cm ³
6 Compressor platform	AJ = CAJ, TAJ (Reciprocating) MT = MTZ (Reciprocating) NF = NF (Reciprocating) MP = MPT (Reciprocating) NT = NTZ (Reciprocating) MY = MLY (Reciprocating) SC = SC (Reciprocating) MX = MX (Reciprocating) GS = GS (Reciprocating)
7 Version	A00 = Without valves & receiver for capillary tubes A01 = Basic with bracket & copper pipes for KP A02 = With receiver, stop valves, universal pressure switch (KP-17WB), flexible hoses & electrical box A04 = A01 + KP17WB + FSA-kit + Power cord
8 Voltage code	A = Comp 230V-1ph/50+60 Hz & fan 230V-1ph/50+60 Hz G = Comp 230V-1ph/50 Hz & fan 230V- 1ph/50 Hz E = Comp 400V-3ph/ 50 Hz & fan 230V- 1ph/50 Hz

Performance with SH=10K & SC=0K

Code number	Version	Unit	Compressor	Fans	Electrical code	Tamb [°C]	Cooling capacity Q [kW]						P [kW]	EcoDesign (2)			
							Te [°C]							Q [kW]	P [kW]	COP _A	SEPR
							-40°C	-35°C	-30°C	-25°C	-20°C	-15°C	-10°C				
114X1221	A01	OP-LCQC004	MLY45LAB	1	G	27	137	140	156	187	235	305	136	132	164	0.81	
						32	119	125	145	181	235	311					
						38	97	108	133	174	234	317					
						43	79	93	122	167	232	320					
114X1337	A01	OP-LCQC006	MLY60LAB	1	G	27	142	167	208	266	343	440	173	142	166	0.85	
						32	128	154	196	256	334	432					
						38	111	138	182	243	322	421					
						43	98	126	170	231	311	411					
114X1341	A01	OP-LCQC008	MLY80LAB	1	G	27	206	271	339	409	482	556	295	204	235	0.87	
						32	183	241	302	365	432	501					
						38	155	205	257	314	373	435					
						43	132	175	221	271	324	379					
114X1449	A01	OP-LCQC012	MPT12LA	1	G	27	301	387	481	582	689	802	398	298	321	0.93	
						32	268	346	432	525	625	730					
						38	229	298	374	457	548	645					
						43	197	257	326	401	484	573					
114X1569	A01	OP-LCQC012	MLY12LAB	1	G	27	355	452	555	664	778	898	468	353	370	0.95	
						32	316	403	496	596	702	814					
						38	269	344	427	516	611						
						43	231	296	369	449							
114X1573	A01	OP-LCQC014	MPT14LA	1	G	27	403	508	618	734	854	978	538	404	436	0.93	
						32	361	455	555	661	771	886					
						38	311	393	481	574	673						
						43	270	341	419	503							
114X1577	A01	OP-LCQC016	MPT16LA	1	G	27	422	550	687	831	982	1139	589	420	463	0.91	
						32	375	490	614	746	886	1031					
						38	320	419	528	645	770						
						43	274	361	457	561							

LBP
(1) G - Compressor 230V/1~/50Hz, fan 230V/1~/50Hz

E - Compressor 400V/3~/50Hz, fan 230V/1~/50Hz

(2) Rated conditions, Saturated suction temperature -35°C. Ambient air temperature +32°C. Return gas temperature 20°C

SEPR, Seasonal Energy Performance Ratio

Q [kW], Cooling capacity

P [kW], Power input

Version

A01: With receiver, 2stop valves, brackets and copper pipes for KP


 For more information related to EcoDesign compliance, please refer to Coolselector®
coolselector.danfoss.com or contact Danfoss


Performance with SH=10K & SC=0K

Code number	Version	Unit	Compressor	Fans	Electrical code	Tamb [°C]	Cooling capacity Q [kW]						P [kW]	EcoDesign (2)				
							Te [°C]							Q [kW]	P [kW]	COP _A	SEPR	
							-40°C	-35°C	-30°C	-25°C	-20°C	-15°C	-10°C					-25°C
114X5044	A02	OP-LCQC048	NTZ048	1	G	27	652	933	1259	1626	2027	2453	2896					
						32	550	808	1107	1443	1810	2199	2604	1225	904	867	1.04	
						38	434	666	934	1232	1558	1903	2260					
						43		554	795	1063	1354							
114X5037	A02	OP-LCQC048	NTZ048	1	E	27	672	943	1253	1594	1958	2338	2722					
						32	565	814	1097	1408	1741	2086	2433	1237	911	854	1.07	
						38	442	665	917	1193	1487	1790	2093					
						43		548	774	1021	1282							
114X5089	A02	OP-LGQC048	NTZ048	1	E	27	696	982	1312	1681	2082	2508	2950					
						32	585	848	1150	1487	1854	2243	2646	1313	947	938	1.01	
						38	459	694	963	1263	1588	1933	2288					
						43		572	814	1083	1373							
114X5096	A02	OP-LGQC048	NTZ048	1	G	27	687	989	1348	1759	2220	2723	3263					
						32	580	857	1186	1563	1985	2447	2943	1300	955	950	1.01	
						38	459	708	1001	1337	1713	2126	2569					
						43		590	855	1157	1495							
114X5090	A02	OP-LGQC068	NTZ068	1	E	27	1086	1459	1865	2281	2678	3025	3284					
						32	932	1270	1634	2003	2349	2641	2842	2050	1436	1480	0.97	
						38	749	1045	1359	1670	1954	2179	2309					
						43		861	1132	1395	1626							
114X5045 114X5038	A02	OP-LCQC068	NTZ068	1	G E	27	1185	1590	2046	2546	3083	3645	4221					
						32	999	1375	1796	2256	2749	3262	3786	2147	1546	1641	0.94	
						38	786	1125	1504	1916	2354	2809	3268					
						43		925	1268	1639	2031							
114X5091	A02	OP-LGQC096	NTZ096	1	E	27	1352	1807	2322	2878	3454	4027	4575					
						32	1168	1577	2038	2536	3049	3557	4038	2543	1781	1764	1.01	
						38	960	1311	1708	2135	2572	3000	3396					
						43		1100	1442	1809	2182							
114X5039	A02	OP-LCQC096	NTZ096	1	E	27	1416	1910	2482	3114	3788	4485	5182					
						32	1225	1670	2184	2753	3359	3984	4607	2527	1879	1762	1.07	
						38	1007	1391	1836	2328	2852	3390	3922					
						43		1170	1556	1983	2438							
114X5092	A02	OP-LGQC108	NTZ108	1	E	27	1922	2613	3456	4457	5618	6937	8411					
						32	1690	2314	3077	3986	5044	6252	7608	2903	2568	2210	1.16	1.65
						38	1434	1979	2647	3447	4383	5458	6672					
						43		1718	2309	3018	3853							
114X5093	A02	OP-LGQC136	NTZ136	1	E	27	2663	3599	4734	6071	7605	9330	11230					
						32	2346	3190	4215	5427	6823	8399	10147	4026	3549	3020	1.18	1.58
						38	1995	2730	3626	4688	5920	7317	8876					
						43		2372	3161	4101	5195							

LBP
(1) G - Compressor 230V/1~/50Hz, fan 230V/1~/50Hz

E - Compressor 400V/3~/50Hz, fan 230V/1~/50Hz

(2) Rated conditions, Saturated suction temperature -35°C. Ambient air temperature +32°C. Return gas temperature 20°C

SEPR, Seasonal Energy Performance Ratio

Q [kW], Cooling capacity

P [kW], Power input

Version

A02: With receiver, stop valve, universal pressure switch, (KP17WB), flexible hoses and electrical box


 For more information related to EcoDesign compliance, please refer to Coolselector®
coolselector.danfoss.com or contact Danfoss


Performance with SH=10K & SC=0K

Code number	Version	Unit	Compressor	Fans	Electrical code	Tamb [°C]	Cooling capacity Q [kW]							P [kW]	EcoDesign (2)			
							Te [°C]								Q [kW]	P [kW]	COP _A	SEPR
							-40°C	-35°C	-30°C	-25°C	-20°C	-15°C	-10°C					
114X1208	A00	OP-LCHC004	TL4CLX	1	G	27	74	101	132	168	209	255	307	163	105	131	0.80	
114X1209	A01					32	70	93	120	151	188	230	278					
114X1211	A04					38	61	78	101	128	161	199	244					
						43												
114X1221	A01	OP-LCQC004	MLY45LAb	1	G	27		134	180	230	284	341	402	186	135	154	0.88	
						32		119	160	206	255	308	364					
						38		101	137	176	220	268	319					
						43		86	117	152	191	234	282					
114X1216	A00	OP-LCHC006	FR6CLX	1	G	27	116	159	208	264	327	396	472	267	164	210	0.78	
114X1217	A01					32	107	145	188	237	293	355	423					
114X1219	A04					38	93	125	161	204	251	305	364					
						43	81	108	139	175	217							
114X1324	A00	OP-LCHC008	FR8.5CLX	1	G	27	122	172	238	317	407	505	608	336	199	265	0.75	
114X1325	A01					32	134	176	230	296	372	455	544					
114X1327	A04					38	118	153	198	253	317							
						43												
114X1337	A01	OP-LCQC006	MLY60LAb	1	G	27		201	264	332	404	481	562	263	201	218	0.93	
						32		178	234	296	362	433	508					
						38		150	199	253	312	376	444					
						43		128	170	218	271	328	391					
114X1328	A00	OP-LCHC007	NL7CLX	1	G	27	159	214	278	351	434	524	622	301	220	243	0.91	
114X1329	A01					32	144	194	252	319	394	477	567					
114X1331	A04					38	125	168	219	278	345	418	498					
						43												
114X1341	A01	OP-LCQC008	MLY80LAb	1	G	27		222	293	368	447	529	615	320	224	256	0.87	
						32		196	259	327	398	474	553					
						38		165	219	278	341	408	479					
						43		140	186	238	293	353	418					
114X1304	A00	OP-LCHC008	NL8.4CLX	1	G	27	167	223	288	361	442	528	620	339	229	269	0.85	
						32	150	200	259	325	397	475	558					
						38	128	172	222	279	342	410	483					
						43	109	147	191	240	295	355	419					
114X1332	A00	OP-LCHC010	SC10CLX	1	G	27		244	336	443	567	709	869	389	233	303	0.77	
114X1333	A01					32		207	292	392	507	639	787					
114X1335	A04					38			242	332	436	555	691					
						43			283	378	487	612						
114X1440	A00	OP-LCHC012	SC12CLX	1	G	27	239	327	431	551	687	839	1005	497	313	380	0.82	
114X1441	A01					32	196	277	374	485	611	752	907					
114X1443	A04					38	144	218	305	405	519	647	788					
						43	169	248	339	443	559	688						

LBP

(1) G - Compressor 230V/1~/50Hz, fan 230V/1~/50Hz

E - Compressor 400V/3~/50Hz, fan 230V/1~/50Hz

(2) Rated conditions, Saturated suction temperature -35°C. Ambient air temperature +32°C. Return gas temperature 20°C

SEPR, Seasonal Energy Performance Ratio

Q [kW], Cooling capacity

P [kW], Power input

Version

A00: Without valves and receiver for capillary tubes

A01: With receiver, 2stop valves, brackets and copper pipes for KP

A04: A01 + KP17 WB + FSA-kit + power cord

This table continues in the next page



For more information related to EcoDesign compliance, please refer to Coolselector® coolselector.danfoss.com or contact Danfoss



Performance with SH=10K & SC=0K

Code number	Version	Unit	Compressor	Fans	Electrical code	Tamb [°C]	Cooling capacity Q [kW]						P [kW]	EcoDesign (2)			
							Te [°C]							Q [kW]	P [kW]	COP _A	SEPR
							-40°C	-35°C	-30°C	-25°C	-20°C	-15°C					
114X1444	A00	OP-LCHC012	SC12CLX.2	1	G	27	239	327	431	551	687	839	1005	497	313	380	0.82
						32	196	277	374	485	611	752	907				
						38	144	218	305	405	519	647	788				
						43		169	248	339	443	559	688				
114X1449	A01	OP-LCQC012	MPT12LA	1	G	27		323	420	525	640	762	893	431	326	351	0.93
						32		287	375	471	577	691	813				
						38		245	321	406	501	605	717				
						43		209	276	353	438	533	637				
114X1548 114X1549 114X1551	A00 A01 A04	OP-LCHC015	SC15CLX	1	G	27	280	383	498	627	770	928	1098	605	372	468	0.80
						32	228	329	441	564	700	848	1008				
						38		260	368	485	612	750	899				
						43			304	416	537	667	807				
114X1569	A01	OP-LCQC012	MLY12LAB	1	G	27		383	489	603	726	857	996	506	387	405	0.96
						32		339	434	539	651	773	902				
						38		288	370	461	562	671					
						43		245	317	398	488						
114X1573	A01	OP-LCQC014	MPT14LA	1	G	27		433	548	672	802	940	1083	585	442	478	0.93
						32		387	490	602	721	848	981				
						38		332	421	519	625	738					
						43		286	364	450	545						
114X1556 114X1557 114X1559	A00 A01 A04	OP-LCHC018	SC18CLX	1	G	27	341	454	584	731	892	1068	1255	663	447	506	0.89
						32	291	394	513	648	797	958	1130				
						38	234	326	432	552	684	828	983				
						43		272	367	474	593	723	862				
114X1577	A01	OP-LCQC016	MPT16LA	1	G	27		463	598	741	891	1047	1209	640	471	508	0.93
						32		412	533	662	800	944	1094				
						38		350	455	569	690	820					
						43		300	391	491	600						
114X1564 114X1565 114X1567	A00 A01 A04	OP-LCHC021	SC21CLX	1	G	27	384	513	656	811	978	1158	1352	753	505	578	0.87
						32	333	445	571	711	865	1034	1218				
						38	269	363	472	597	737	895	1070				
						43		300	397	510	641	790	958				
114X1673	A01	OP-LCHC026	GS26CLX	1	G	27	533	709	913	1142	1396	1670	1962	991	702	755	0.93
						32	456	618	805	1016	1249	1502	1772				
						38	368	513	680	868	1076	1304	1548				
						43	299	430	580	749	936	1142	1363				
114X1781 114X1783	A01 A04	OP-LCHC034	GS34CLX	1	G	27	728	956	1218	1512	1836	2185	2557	1318	969	1014	0.96
						32	637	847	1089	1359	1658	1980	2324				
						38	530	719	934	1177	1444	1734	2043				
						43	443	613	807	1026	1266	1528	1808				

LBP
(1) G - Compressor 230V/1~/50Hz, fan 230V/1~/50Hz

E - Compressor 400V/3~/50Hz, fan 230V/1~/50Hz

(2) Rated conditions, Saturated suction temperature -35°C. Ambient air temperature +32°C. Return gas temperature 20°C

SEPR, Seasonal Energy Performance Ratio

Q [kW], Cooling capacity

P [kW], Power input

Version

A00: Without valves and receiver for capillary tubes

A01: With receiver, 2stop valves, brackets and copper pipes for KP

A04: A01 + KP17 WB + FSA-kit + power cord (except LCHC034)


 For more information related to EcoDesign compliance, please refer to Coolselector®
coolselector.danfoss.com or contact Danfoss


Performance with SH=10K & SC=0K

Code number	Version	Unit	Compressor	Fans	Electrical code	Tamb [°C]	Cooling capacity Q [kW]							P [kW]	EcoDesign (2)			
							Te [°C]								Q [kW]	P [kW]	COP _A	SEPR
							-40°C	-35°C	-30°C	-25°C	-20°C	-15°C	-10°C					
114X5044	A02	OP-LCQC048	NTZ048	1	G	27	650	932	1255	1612	1993	2388	2787	1427	906	1042	0.87	
						32	537	795	1089	1412	1756	2111	2470					
						38	404	633	892	1175	1474	1782	2092					
						43	299	503	732	981	1242							
114X5037	A02	OP-LCQC048	NTZ048	1	E	27	662	936	1237	1557	1888	2222	2553	1406	928	927	1.00	
						32	562	812	1084	1371	1666	1962	2253					
						38	445	666	904	1152	1405	1655	1900					
						43	352	549	759	975	1192							
114X5089	A02	OP-LGQC048	NTZ048	1	E	27	685	974	1297	1648	2019	2402	2793	1486	964	1012	0.95	
						32	582	846	1139	1454	1787	2129	2476					
						38	462	696	952	1227	1513	1807	2103					
						43	365	574	802	1042	1291							
114X5096	A02	OP-LGQC048	NTZ048	1	G	27	692	998	1357	1763	2209	2686	3185	1501	971	1127	0.86	
						32	574	885	1183	1552	1957	2390	2843					
						38	436	686	976	1301	1657	2037	2434					
						43	325	549	807	1095	1409							
114X5090	A02	OP-LGQC068	NTZ068	1	E	27	1084	1439	1818	2210	2601	2975	3317	2340	1462	1695	0.86	
						32	934	1257	1600	1951	2297	2622	2912					
						38	768	1052	1350	1649	1938	2201						
						43	639	891	1149	1404	1641							
114X5045 114X5038	A02	OP-LCQC068	NTZ068	1	G E	27	1187	1568	1999	2470	2966	3468	3961	2303	1611	1799	0.90	
						32	1050	1394	1781	2199	2637	3079	3507					
						38	885	1185	1519	1876	2245	2613	2963					
						43	745	1011	1300	1607	1919							
114X5091	A02	OP-LGQC096	NTZ096	1	E	27	1287	1717	2207	2740	3294	3842	4358	2650	1692	1819	0.93	
						32	1086	1473	1912	2389	2881	3366	3818					
						38	852	1187	1566	1975	2395	2804						
						43	667	958	1286	1639	1999							
114X5039	A02	OP-LCQC096	NTZ096	1	E	27	1356	1825	2372	2982	3636	4312	4982	2650	1798	1827	0.98	
						32	1148	1571	2063	2611	3197	3802	4399					
						38	904	1272	1698	2172	2678	3197	3706					
						43	710	1031	1401	1814	2253							
114X5092	A02	OP-LGQC108	NTZ108	1	E	27	1958	2730	3664	4760	6017	7430	8990	3156	2698	2354	1.15	1.58
						32	1679	2391	3247	4250	5400	6694	8124					
						38	1350	1988	2750	3641	4662	5811	7085					
						43	1083	1658	2342	3138	4050							
114X5093	A02	OP-LGQC136	NTZ136	1	E	27	2526	3441	4539	5827	7308	8981	10840	4277	3434	3167	1.08	1.56
						32	2193	3034	4042	5223	6583	8121	9833					
						38	1802	2553	3451	4503	5715	7089	8624					
						43	1487	2161	2965	3907	4995							

LBP

(1) G - Compressor 230V/1~/50Hz, fan 230V/1~/50Hz

E - Compressor 400V/3~/50Hz, fan 230V/1~/50Hz

(2) Rated conditions, Saturated suction temperature -35°C. Ambient air temperature +32°C. Return gas temperature 20°C

SEPR, Seasonal Energy Performance Ratio

Q [kW], Cooling capacity

P [kW], Power input

Version

A02: With receiver, stop valve, universal pressure switch, (KP17WB), flexible hoses and electrical box


 For more information related to EcoDesign compliance, please refer to Coolselector®
coolselector.danfoss.com or contact Danfoss


Performance with SH=10K & SC=0K

Code number	Version	Unit	Compressor	Fans	Electrical code	Tamb [°C]	Cooling capacity Q [kW]							P [kW]		EcoDesign (2)			
							Te [°C]							-10°C	5°C	Q [kW]	P [kW]	COP _A	SEPR
							-20°C	-15°C	-10°C	-5°C	0°C	5°C	10°C						
114X2208	A00	OP-MCHC004	TL4DLX	1	G	27	229	258	304	365	437	514	593						
114X2209	A01					32	202	230	274	332	398	468	538	226	290	289	227	1.28	
114X2211	A04					38	171	198	238	290	348	410							
						43													
114X2316	A00	OP-MCHC006	FR6DLX	1	G	27	356	428	515	615	726	847	974						
114X2317	A01					32	320	386	465	556	657	767	882	380	500	490	381	1.29	
114X2319	A04					38	279	336	405	484	573	668							
						43													
114X2424	A00	OP-MCHC007	NF7MLX	1	G	27		539	651	775	911	1058							
114X2425	A01					32		488	592	708	834	971	456	565	626	457	1.37		
114X2427	A04					38		428	522	627	741	865							
						43		378	463	558	662	775							
114X2532	A00	OP-MCHC010	SC10MLX	1	G	27	554	674	808	954	1108	1269							
114X2533	A01					32	498	607	730	862	1002	1148	582	747	774	584	1.33		
114X2535	A04					38	429	526	634	750	874	1002							
						43	370	457	553	656	765	879							
114X2540	A00	OP-MCHC012	SC12MLX	1	G	27	677	820	980	1154	1338	1530							
114X2541	A01					32	609	740	886	1044	1211	1385	685	890	940	689	1.37		
114X2543	A04					38	526	642	771	910	1057	1210							
						43	456	559	673	796	927	1062							
114X2649	A01	OP-MCHC015	SC15MLX	1	G	27	872	1063	1279	1519	1781	2062							
114X2651	A04					32	787	963	1163	1384	1625	1885	849	1103	1231	851	1.45		
						38	687	844	1021	1219	1436	1669							
						43	604	744	903	1080	1274	1485							
114X2756	A00	OP-MCHC018	SC18MLX	1	G	27	1007	1224	1468	1739	2033	2348							
114X2757	A01					32	909	1109	1335	1584	1855	2146	932	1219	1414	935	1.51		
114X2759	A04					38	794	972	1173	1395	1638	1898							
						43	699	858	1037	1236	1453	1688							
114X2765	A01	OP-MCHC021	GS21MLX	1	G	27	1205	1482	1794	2137	2506	2896							
114X2767	A04					32	1080	1334	1619	1933	2271	2629	1053	1401	1714	1058	1.62		
						38	936	1161	1413	1691	1991	2311							
						43	820	1020	1245	1492	1759	2045							
114X2773	A01	OP-MCHC026	GS26MLX	1	G	27	1471	1792	2141	2514	2907	3314							
						32	1323	1619	1939	2281	2640	3013	1331	1813	2063	1338	1.54		
						38	1148	1412	1697	1999	2317	2648							
						43	1003	1240	1494	1763	2046	2341							
114X2881	A01	OP-MCHC034	GS34MLX	1	G	27	1985	2391	2832	3302	3795	4305							
114X2883	A04					32	1791	2166	2570	2998	3447	3911	1895	2567	2734	1903	1.44		
						38	1557	1893	2251	2628	3022	3430							
						43	1366	1666	1984	2317	2664	3024							

MBP

(1) G - Compressor 230V/1~/50Hz, fan 230V/1~/50Hz

E - Compressor 400V/3~/50Hz, fan 230V/1~/50Hz

(2) Rated conditions, Saturated suction temperature -10°C. Ambient air temperature +32°C. Return gas temperature 20°C

SEPR, Seasonal Energy Performance Ratio

Q [kW], Cooling capacity

P [kW], Power input

Version

A00: Without valves and receiver for capillary tubes

A01: With receiver, 2stop valves, brackets and copper pipes for KP

A04: A01 + KP17 WB + FSA-kit + power cord


 For more information related to EcoDesign compliance, please refer to Coolselector®
coolselector.danfoss.com or contact Danfoss


Performance with SH=10K & SC=0K

Code number	Version	Unit	Compressor	Fans	Electrical code	Tamb [°C]	Cooling capacity Q [kW]						P [kW]		EcoDesign (2)				
							Te [°C]						-10°C	5°C	Q [kW]	P [kW]	COP _A	SEPR	
							-20°C	-15°C	-10°C	-5°C	0°C	5°C							10°C
114X5024 114X5012	A02	OP-MCZC030	MTZ018	1	G E	27	1190	1567	1980	2421	2882	3354	3829	1295	1720	1883	1299	1.45	
						32	1058	1399	1772	2171	2587	3013	3443						
						38	903	1201	1526	1872	2234	2606	2982						
						43	777	1038	1323	1626	1942								
114X5025 114X5013	A02	OP-MCZC038	MTZ022	1	G E	27	1606	2033	2494	2978	3471	3964	4444	1667	2327	2362	1674	1.41	
						32	1416	1801	2217	2652	3095	3537	3967						
						38	1194	1528	1888	2263	2646	3026							
						43	1015	1305	1617	1942	2273								
114X5026 114X5014	A02	OP-MCZC048	MTZ028	1	G E	27	2135	2698	3302	3937	4589	5249	5906	2151	3023	3143	2160	1.46	
						32	1878	2395	2948	3527	4122	4722	5319						
						38	1579	2040	2531	3042	3566	4094							
						43	1340	1753	2190	2644	3107								
114X5027 114X5015	A02	OP-MCZC054	MTZ032	1	G E	27	2437	3015	3626	4253	4882	5501	6097	2386	3395	3456	2396	1.44	
						32	2156	2682	3234	3799	4364	4917	5448						
						38	1826	2287	2767	3256	3743	4217							
						43	1557	1963	2382	2807									
114X5028 114X5016	A02	OP-MCZC060	MTZ036	1	G E	27	2875	3537	4225	4921	5611	6280	6917	2855	4020	4047	2870	1.41	
						32	2562	3161	3780	4403	5016	5608	6170						
						38	2186	2711	3247	3781	4303								
						43	1874	2336	2802	3263									
114X5018	A02	OP-MCZC086	MTZ050	1	E	27	4052	5075	6187	7368	8599	9860	11133	3476	4676	5898	3493	1.69	2.33
						32	3600	4530	5542	6616	7737	8886	10047						
						38	3076	3895	4783	5728	6713	7726	8751						
						43	2656	3379	4163	4997	5869								
114X5019	A02	OP-MCZC096	MTZ056	1	E	27	4308	5437	6671	7989	9368	10784	12214	3780	5246	6383	3798	1.68	2.30
						32	3835	4867	5995	7197	8456	9748	11053						
						38	3289	4203	5199	6261	7372	8514	9668						
						43	2849	3664	4548	5491	6477								
114X5020	A02	OP-MCZC108	MTZ064	1	E	27	5582	7060	8722	10554	12534	14638	16840	4900	6445	8328	4915	1.70	2.44
						32	4983	6337	7861	9540	11357	13292	15322						
						38	4274	5479	6833	8327	9947	11677	13499						
						43	3693	4771	5982	7320	8774								
114X5022	A02	OP-MCZC136	MTZ080	1	E	27	7961	10004	12314	14882	17694	20732	23975	6166	7904	11803	6183	1.91	2.60
						32	7168	9053	11183	13552	16149	18960	21965						
						38	6242	7933	9843	11968	14304	16837	19554						
						43	5487	7014	8736	10656	12770								
114X5023	A02	OP-MCZC171	MTZ100	1	E	27	8291	10485	12888	15459	18156	20939	23772	7554	9752	12349	7586	1.63	2.28
						32	7438	9441	11626	13959	16406	18932	21506						
						38	6399	8178	10105	12157	14306	16526	18791						
						43	5521	7116	8833	10653	12556								
114X5073	A02	OP-MGZC215	MTZ125	1	E	27	11124	13936	17072	20498	24174	28056	32096	9852	12855	16294	9887	1.65	2.29
						32	9927	12501	15373	18516	21893	25465	29188						
						38	8555	10835	13384	16178	19189	22382	25719						
						43	7459	9488	11760	14258	16958								
114X5075	A02	OP-MGZC271	MTZ160	1	E	27	14056	17389	21040	24957	29083	33353	37702	12649	16898	20217	12700	1.59	2.16
						32	12621	15675	19012	22590	26355	30253	34224						
						38	10925	13633	16584	19745	23071	26517	30028						
						43	9530	11940	14562	17368	20323								

MBP
(1) G - Compressor 230V/1~/50Hz, fan 230V/1~/50Hz

E - Compressor 400V/3~/50Hz, fan 230V/1~/50Hz

(2) Rated conditions, Saturated suction temperature -10°C. Ambient air temperature +32°C. Return gas temperature 20°C

SEPR, Seasonal Energy Performance Ratio

Q [kW], Cooling capacity

P [kW], Power input

Version

A02: With receiver, stop valve, universal pressure switch, (KP17WB), flexible hoses and electrical box

This table continues in the next page


 For more information related to EcoDesign compliance, please refer to Coolselector®
coolselector.danfoss.com or contact Danfoss


Performance with SH=10K & SC=0K

Code number	Version	Unit	Compressor	Fans	Electrical code	T _{amb} [°C]	Cooling capacity Q [kW]							P [kW]		EcoDesign (2)				
							T _e [°C]							-10°C	5°C	Q [kW]	P [kW]	COP _A	SEPR	
							-20°C	-15°C	-10°C	-5°C	0°C	5°C	10°C							
114X5076	A02	OP-MGZD030	MTZ018	2	G	27	1213	1603	2034	2498	2987	3492	4006							
						32	1079	1433	1823	2243	2685	3143	3609	1366	1776	1934	1370	1.41		
						38	922	1231	1572	1939	2325	2726	3135							
						43	795	1067	1365	1687	2027									
114X5061	A02	OP-MGZD030	MTZ018	2	E	27	1213	1603	2034	2498	2987	3492	4006							
						32	1079	1433	1823	2243	2685	3143	3609	1366	1776	1934	1370	1.41		
						38	922	1231	1572	1939	2325	2726	3135							
						43	795	1067	1365	1687	2027									
114X5062	A02	OP-MGZD038	MTZ022	2	E	27	1607	2035	2496	2980	3475	3968	4450							
						32	1417	1803	2219	2654	3098	3541	3972	1723	2435	2364	1688	1.40		
						38	1195	1529	1889	2265	2649	3030	3399							
						43	1016	1306	1618	1944	2276									
114X5063	A02	OP-MGZD048	MTZ028	2	E	27	2104	2654	3241	3854	4481	5111	5734							
						32	1849	2354	2891	3450	4021	4593	5157	2227	3180	3085	2182	1.41		
						38	1554	2004	2479	2972	3473	3973								
						43	1317	1719	2142	2578	3020									
114X5079	A02	OP-MGZD054	MTZ032	2	G	27	2412	2981	3578	4188	4799	5395	5966							
						32	2133	2650	3189	3738	4285	4817	5324	2405	3426	3410	2415	1.41		
						38	1806	2258	2726	3201	3670	4124								
						43	1539	1936	2344	2755	3159									
114X5064	A02	OP-MGZD054	MTZ032	2	E	27	2412	2981	3578	4188	4799	5395	5966							
						32	2133	2650	3189	3738	4285	4817	5324	2405	3426	3410	2415	1.41		
						38	1806	2258	2726	3201	3670	4124								
						43	1539	1936	2344	2755	3159									
114X5065	A02	OP-MGZD060	MTZ036	2	E	27	2993	3705	4459	5236	6022	6802	7564							
						32	2672	3320	4001	4701	5406	6103	6781	3032	4211	4272	2965	1.44		
						38	2288	2858	3452	4058	4665	5263	5842							
						43	1969	2473	2995	3522	4048									
114X5066	A02	OP-MGZD068	MTZ040	2	E	27	3938	4932	6036	7239	8531	9898	11326							
						32	3562	4476	5487	6587	7767	9014	10316	3316	4400	5805	3188	1.82	2.42	
						38	3103	3920	4817	5791	6834	7935	9087							
						43	2716	3448	4250	5117	6044									
114X5067	A02	OP-MGZD086	MTZ050	2	E	27	4412	5597	6921	8369	9926	11571	13287							
						32	3925	5007	6217	7544	8971	10484	12065	3596	4727	6581	3495	1.88	2.61	
						38	3364	4322	5394	6571	7842	9193	10609							
						43	2915	3768	4723	5775	6913									
114X5069	A02	OP-MGZD108	MTZ064	2	E	27	5431	6839	8409	10122	11953	13878	15870							
						32	4843	6132	7568	9134	10810	12575	14406	4695	6428	8032	4593	1.75	2.38	
						38	4148	5292	6564	7952	9441	11013	12648							
						43	3578	4599	5732	6971	8303									

MBP

(1) G - Compressor 230V/1~/50Hz, fan 230V/1~/50Hz

E - Compressor 400V/3~/50Hz, fan 230V/1~/50Hz

(2) Rated conditions, Saturated suction temperature -10°C. Ambient air temperature +32°C. Return gas temperature 20°C

SEPR, Seasonal Energy Performance Ratio

Q [kW], Cooling capacity

P [kW], Power input

Version

A02: With receiver, stop valve, universal pressure switch, (KP17WB), flexible hoses and electrical box

This table continues in the next page


 For more information related to EcoDesign compliance, please refer to Coolselector®
coolselector.danfoss.com or contact Danfoss


Performance with SH=10K & SC=0K

Code number	Version	Unit	Compressor	Fans	Electrical code	Tamb [°C]	Cooling capacity Q [kW]						P [kW]		EcoDesign (2)				
							Te [°C]						-10°C	5°C	Q [kW]	P [kW]	COP _A	SEPR	
							-20°C	-15°C	-10°C	-5°C	0°C	5°C							10°C
114X5070	A02	OP-MGZD121	MTZ072	2	E	27	5949	7427	9053	10805	12655	14577	16542	5246	7209	8664	5127	1.69	2.29
						32	5304	6656	8145	9749	11445	13208	15013						
						38	4561	5758	7076	8498	10004	11573	13183						
						43	3965	5028	6199	7466	8811								
114X5071	A02	OP-MGHD136	MTZ080	2	E	27	7632	9530	11646	13964	16464	19121	21909	6790	8817	11180	6595	1.70	2.28
						32	6865	8612	10558	12689	14989	17437	20010						
						38	5968	7529	9266	11168	13224	15418	17730						
						43	5234	6638	8197	9906	11756								
114X5072	A02	OP-MGZD171	MTZ100	2	E	27	8649	11019	13659	16535	19610	22844	26199	7723	9731	13086	7751	1.69	2.37
						32	7782	9951	12359	14980	17781	20731	23795						
						38	6724	8657	10792	13109	15585	18195	20913						
						43	5828	7568	9478	11546	13753								
114X5057	A02	OP-MGZD171	MTZ100	2	D	27	8649	11019	13659	16535	19610	22844	26199	7703	9711	13086	7731	1.69	2.38
						32	7782	9951	12359	14980	17781	20731	23795						
						38	6724	8657	10792	13109	15585	18195	20913						
						43	5828	7568	9478	11546	13753								
114X5118	A02	OP-MGZD215	MTZ125	2	E	27	11406	14341	17638	21270	25202	29392	33795	10086	13199	16818	9801	1.72	2.40
						32	10181	12870	15895	19232	22852	26716	30785						
						38	8779	11166	13856	16832	20069	23536	27197						
						43	7661	9790	12195	14864	17777								
114X5119	A02	OP-MGZD242	MTZ144	2	E	27	13129	16299	19799	23590	27624	31852	36219	11567	15244	18980	11273	1.68	2.31
						32	11782	14687	17889	21354	25043	28910	32910						
						38	10192	12770	15606	18674	21943	25374	28929						
						43	8886	11184	13709	16442	19356								
114X5120	A02	OP-MGZD271	MTZ160	2	E	27	14712	18323	22340	26724	31428	36394	41559	12694	16914	21448	12330	1.74	2.39
						32	13233	16553	20241	24264	28582	33143	37893						
						38	11485	14445	17728	21309	25156	29226	33470						
						43	10049	12700	15636	18842	22290								

MBP
(1) G - Compressor 230V/1~/50Hz, fan 230V/1~/50Hz

E - Compressor 400V/3~/50Hz, fan 230V/1~/50Hz

(2) Rated conditions, Saturated suction temperature -10°C. Ambient air temperature +32°C. Return gas temperature 20°C

SEPR, Seasonal Energy Performance Ratio

Q [kW], Cooling capacity

P [kW], Power input

Version

A02: With receiver, stop valve, universal pressure switch, (KP17WB), flexible hoses and electrical box


 For more information related to EcoDesign compliance, please refer to Coolselector®
coolselector.danfoss.com or contact Danfoss


Performance with SH=10K & SC=0K

Code number	Version	Unit	Compressor	Fans	Electrical code	Cooling capacity Q [kW]							P [kW]	EcoDesign (2)			
						Te [°C]								Q [kW]	P [kW]	COP _A	SEPR
						-30°C	-25°C	-20°C	-10°C	0°C	5°C	10°C	-10°C				
114X0104	A00	OP-UCGC003	TL3GX	1	G	27	52	69	90	145	217	258	303	120	138	120	1.16
114X0105	A01					32	47	63	83	135	201	240	281				
114X0109	A01					38	40	55	74	121	182	217	255				
114X0107	A04					43	34	49	66	109	165	197	232				
114X0108	A00	OP-UCGC004	TL4GX	1	G	27	50	79	110	181	263	310	360	157	170	157	1.08
114X0109	A01					32	49	74	102	166	243	287	337				
114X0111	A04					38	44	65	89	147	220	263					
						43	39	57	78	132	203						
114X0112	A00	OP-UCGC005	TL5GX	1	G	27	79	103	131	200	286	333	383	170	193	171	1.13
114X0113	A01					32	72	95	121	187	267	312	359				
114X0115	A04					38	64	85	110	170	245	287	330				
						43	57	77	100	157	227	266					
114X0200	A00	OP-UCGC006	FR6GX	1	G	27	109	144	185	291	431	515	607	188	278	188	1.48
114X0201	A01					32	95	129	169	271	404	484	572				
114X0203	A04					38	79	112	150	246	371	446	529				
						43	66	97	134	225	344	415	493				
114X0228	A00	OP-MCGC006	NL6.1MF	1	G	27			196	313	464	552	646	202	299	202	1.48
						32			181	291	433	515	605				
						38			162	264	395	471	554				
						43			146	241	363	434	512				
114X0216	A00	OP-UCGC007	FR7.5GX	1	G	27	118	156	201	317	470	560	660	213	303	213	1.42
114X0217	A01					32	103	140	184	294	440	526	621				
						38	87	122	163	268	405	486	576				
						43	74	108	147	247	376	453	537				
114X0224	A00	OP-UCGC008	FR8.5GX	1	G	27	138	183	236	368	536	633	739	249	352	250	1.41
114X0225	A01					32	127	169	218	342	501	593	695				
114X0227	A04					38	110	148	194	309	458	546	643				
						43	95	131	173	282	424	508	602				
114X0244	A00	OP-MCGC007	NL7.3MF	1	G	27			236	371	541	638	743	241	354	241	1.47
						32			218	344	505	597	696				
						38			196	313	461	547	639				
						43			178	287	425	506	592				
114X0232	A00	OP-UCGC010	FR10GX	1	G	27	149	195	250	387	562	665	776	281	370	281	1.32
114X0233	A01					32	134	177	229	359	526	623	730				
						38	115	156	204	326	483	575	677				
						43	99	139	185	300	449	537					
114X0223	A04	OP-UCGC010	SC10GX	1	G	27	147	209	279	443	639	750	873	304	416	304	1.37
						32	127	183	248	404	596	708	834				
						38	101	151	211	360	551	666	800				
						43	79	126	182	328	522	643					

MBP

(1) G - Compressor 230V/1~/50Hz, fan 230V/1~/50Hz

E - Compressor 400V/3~/50Hz, fan 230V/1~/50Hz

(2) Rated conditions, Saturated suction temperature -10°C. Ambient air temperature +32°C. Return gas temperature 20°C

SEPR, Seasonal Energy Performance Ratio

Q [kW], Cooling capacity

P [kW], Power input

Version

A00: Without valves and receiver for capillary tubes

A01: With receiver, 2stop valves, brackets and copper pipes for KP

A04: A01 + KP17 WB + FSA-kit + power cord

This table continues in the next page


 For more information related to EcoDesign compliance, please refer to Coolselector®
coolselector.danfoss.com or contact Danfoss


Performance with SH=10K & SC=0K

Code number	Version	Unit	Compressor	Fans	Electrical code	Tamb [°C]	Cooling capacity Q [kW]						P [kW]	EcoDesign (2)				
							Te [°C]							-10°C	Q [kW]	P [kW]	COP _A	SEPR
							-30°C	-25°C	-20°C	-10°C	0°C	5°C	10°C					
114X0352	A00	OP-MCGC008	NL8.4MF	1	G	27			281	442	651	772	904	280	422	280	1.51	
						32			260	411	608	722	848					
						38			235	374	557	664	781					
						43			215	345	515	616	726					
114X0336 114X0337 114X0339	A00 A01 A04	OP-UCGC011	FR11GX	1	G	27	163	241	322	499	715	844	336	473	337	1.41		
						32	153	223	296	460	666	793						
						38	136	198	263	414	611	734						
						43	121	177	236	377	568	690						
114X0340 114X0341 114X0343	A00 A01 A04	OP-UCGC012	SC12GX	1	G	27	215	284	366	572	833	984	1148	377	541	378	1.43	
						32	187	252	330	525	774	918	1075					
						38	155	215	288	469	703	840	989					
						43	131	187	254	425	646	776	919					
114X0448 114X0449 114X0451	A00 A01 A04	OP-UCGC015	SC15GX	1	G	27		320	424	686	1010	1381	465	661	466	1.42		
						32		291	393	642	945	1112						1288
						38		250	349	584	862	1015						1175
						43		211	309	532	791	932						1080
114X0556 114X0557 114X0559	A00 A01 A04	OP-UCGC018	SC18GX	1	G	27		390	503	782	1138	1561	555	753	556	1.35		
						32		344	456	729	1070	1264						1469
						38		303	410	669	987	1165						1352
						43		277	378	620	913	1076						
114X0568	A00	OP-MCGC021	SC21MF	1	G	27			595	891	1253	1456	1670	658	858	659	1.30	
						32			551	828	1167	1358	1559					
						38			498	752	1064	1239						
						43			454	688	977							
114X0564 114X0565 114X0567	A00 A01	OP-UCGC021	SC21GX	1	G	27		457	592	915	1297	1505	1722	631	873	631	1.38	
						32		417	543	845	1201	1396	1599					
						38		372	485	757	1080	1257	1443					
						43		333	433	678	973	1135						
114X0773	A01	OP-UCGC026	GS26MFX	1	G	27			856	1377	2035	2410	771					
						32			794	1281	1896	2248						
						38			721	1169	1732	2055						
						43			661	1076	1596	1895						
114X0781	A01	OP-UCGC034	GS34MFX	1	G	27			1109	1713	2481	2924	994	1644	996	1.65		
						32			1023	1595	2322	2741						
						38			919	1452	2129	2520						
						43			833	1333	1967	2335						

MBP
(1) G - Compressor 230V/1~/50Hz, fan 230V/1~/50Hz

E - Compressor 400V/3~/50Hz, fan 230V/1~/50Hz

(2) Rated conditions, Saturated suction temperature -10°C. Ambient air temperature +32°C. Return gas temperature 20°C

SEPR, Seasonal Energy Performance Ratio

Q [kW], Cooling capacity

P [kW], Power input

Version

A00: Without valves and receiver for capillary tubes

A01: With receiver, 2stop valves, brackets and copper pipes for KP

A04: A01 + KP17 WB + FSA-kit + power cord


 For more information related to EcoDesign compliance, please refer to Coolselector®
coolselector.danfoss.com or contact Danfoss


Performance with SH=10K & SC=0K

Code number	Version	Unit	Compressor	Fans	Electrical code	Tamb [°C]	Cooling capacity Q [kW]						P [kW]		EcoDesign (2)				
							Te [°C]								Q [kW]	P [kW]	COP _A	SEPR	
							-15°C	-10°C	-5°C	0°C	5°C	10°C							15°C
114X5024	A02	OP-MCZC030	MTZ018	1	G	27	960	1293	1675	2100	2562	3057	3576						
						32	859	1167	1520	1913	2342	2799	3281	775	1019	1199	775	1.55	
						38	736	1017	1336	1692	2079	2493	2929						
						43	636	893	1185	1509	1863	2241							
114X5012	A02	OP-MCZC030	MTZ018	1	E	27	963	1297	1679	2106	2570	3067	3589						
						32	861	1171	1525	1920	2350	2810	3294	747	982	1202	748	1.61	
						38	739	1020	1341	1698	2088	2504	2943						
						43	638	896	1190	1516	1872	2253							
114X5025	A02	OP-MCZC038	MTZ022	1	G	27		1604	2056	2562	3115	3705	4325						
						32		1461	1880	2349	2862	3410	3986	971	1309	1502	972	1.55	
						38		1287	1668	2094	2559	3058	3582						
						43		1143	1492	1882	2309	2765	3246						
114X5013	A02	OP-MCZC038	MTZ022	1	E	27	1214	1609	2063	2571	3126	3719	4342						
						32	1099	1465	1887	2358	2873	3425	4005	938	1262	1507	939	1.61	
						38	958	1292	1675	2103	2571	3073	3601						
						43	840	1148	1499	1891	2321	2781							
114X5026 114X5014	A02	OP-MCZC048	MTZ028	1	G	27	1612	2085	2640	3278	3992	4775	5616						
						32	1467	1909	2427	3021	3686	4417	5202	1175	1611	1963	1176	1.67	
						38	1288	1694	2168	2709	3317	3985	4706						
						43	1136	1513	1950	2449	3010	3627							
114X5027 114X5015	A02	OP-MCZC054	MTZ032	1	E	27		2303	2915	3612	4387	5230	6129						
						32		2102	2672	3321	4043	4830	5671	1424	1997	2163	1426	1.52	
						38		1859	2379	2971	3631	4351	5122						
						43		1657	2137	2682	3289	3954	4666						
114X5028	A02	OP-MCZC060	MTZ036	1	G	27	2302	2950	3676	4470	5322	6216	7139						
						32	2119	2729	3410	4152	4945	5776	6632	1643	2280	2813	1646	1.71	
						38	1892	2457	3082	3761	4484	5240	6018						
						43	1701	2227	2806	3433	4097	4791							
114X5016	A02	OP-MCZC060	MTZ036	1	E	27	2308	2957	3686	4484	5341	6241	7171						
						32	2125	2738	3421	4167	4964	5802	6665	1583	2193	2821	1586	1.78	
						38	1899	2466	3094	3777	4506	5268	6053						
						43	1707	2236	2819	3449	4119								

MBP
(1) G - Compressor 230V/1~/50Hz, fan 230V/1~/50Hz

E - Compressor 400V/3~/50Hz, fan 230V/1~/50Hz

(2) Rated conditions, Saturated suction temperature -10°C. Ambient air temperature +32°C. Return gas temperature 20°C

SEPR, Seasonal Energy Performance Ratio

Q [kW], Cooling capacity

P [kW], Power input

Version

A02: With receiver, stop valve, universal pressure switch, (KP17WB), flexible hoses and electrical box

This table continues in the next page


 For more information related to EcoDesign compliance, please refer to Coolselector®
coolselector.danfoss.com or contact Danfoss


Performance with SH=10K & SC=0K

Code number	Version	Unit	Compressor	Fans	Electrical code	Tamb [°C]	Cooling capacity Q [kW]						P [kW]		EcoDesign (2)					
							Te [°C]						-10°C	5°C	Q [kW]	P [kW]	COP _A	SEPR		
							-15°C	-10°C	-5°C	0°C	5°C	10°C							15°C	
114X5018	A02	OP-MCZC086	MTZ050	1	E	27	3000	3918	4989	6212	7580	9081	10702							
						32	2704	3561	4564	5711	6999	8417	9954	1941	2614	3660	1943	1.88		
						38	2373	3160	4082	5140	6332	7650	9083							
						43	2112	2844	3701	4686	5798	7032								
114X5019	A02	OP-MCZC096	MTZ056	1	E	27	3205	4163	5306	6642	8173	9891	11785							
						32	2877	3775	4851	6113	7563	9196	11003	2021	2790	3878	2022	1.92		
						38	2505	3331	4325	5497	6850	8381	10083							
						43	2214	2980	3905	5002	6274	7720								
114X5020	A02	OP-MCZC108	MTZ064	1	E	27	3892	5129	6602	8320	10282	12486	14921							
						32	3527	4691	6077	7697	9552	11640	13953	2797	3583	4812	2799	1.72		
						38	3106	4180	5462	6964	8689	10638	12803							
						43	2768	3767	4962	6365	7982	9814								
114X5022	A02	OP-MCZC136	MTZ080	1	E	27	5611	7264	9255	11615	14366	17522	21091							
						32	5171	6739	8624	10859	13465	16460	19852	3475	4328	6902	3477	1.99	2.25	
						38	4635	6099	7856	9938	12370	15170	18349							
						43	4186	5561	7209	9163	11449	14087	17088							
114X5023	A02	OP-MCZC171	MTZ100	1	E	27	5944	7830	10043	12581	15432	18578	21994							
						32	5426	7197	9274	11655	14333	17292	20508	4225	5451	7391	4229	1.75	2.34	
						38	4807	6441	8354	10548	13018	15751	18727							
						43	4297	5816	7593	9630	11927	14472	17248							
114X5073	A02	OP-MGZC215	MTZ125	1	E	27	7739	10103	12876	16064	19660	23651	28016							
						32	7047	9272	11881	14879	18263	22023	26140	5436	6975	9513	5439	1.75	2.29	
						38	6209	8267	10676	13445	16575	20057	23876							
						43	5513	7429	9670	12248	15165	18415								
114X5075	A02	OP-MGZC271	MTZ160	1	E	27	10673	13720	17231	21187	25556	30297	35361							
						32	9838	12707	16002	19707	23798	28237	32983	7064	9228	13056	7071	1.85	2.32	
						38	8787	11442	14477	17885	21644	25724	30090							
						43	7883	10358	13177	16337	19820	23603								

MBP
(1) G - Compressor 230V/1~/50Hz, fan 230V/1~/50Hz

E - Compressor 400V/3~/50Hz, fan 230V/1~/50Hz

(2) Rated conditions, Saturated suction temperature -10°C. Ambient air temperature +32°C. Return gas temperature 20°C

SEPR, Seasonal Energy Performance Ratio

Q [kW], Cooling capacity

P [kW], Power input

Version

A02: With receiver, stop valve, universal pressure switch, (KP17WB), flexible hoses and electrical box

This table continues in the next page


 For more information related to EcoDesign compliance, please refer to Coolselector®
coolselector.danfoss.com or contact Danfoss


Performance with SH=10K & SC=0K

Code number	Version	Unit	Compressor	Fans	Electrical code	Tamb [°C]	Cooling capacity Q [kW]						P [kW]		EcoDesign (2)				
							Te [°C]								Q [kW]	P [kW]	COP _A	SEPR	
							-15°C	-10°C	-5°C	0°C	5°C	10°C							15°C
114X5076	A02	OP-MGZD030	MTZ018	2	G	27	973	1313	1705	2144	2625	3142	3688	850	1087	1218	850	1.43	
						32	871	1187	1549	1955	2401	2880	3387						
						38	748	1034	1363	1730	2133	2567	3027						
						43	646	909	1209	1545	1914	2310							
114X5061	A02	OP-MGZD030	MTZ018	2	E	27	975	1316	1709	2150	2632	3151	3700	822	1049	1221	823	1.48	
						32	873	1190	1554	1961	2408	2889	3399						
						38	750	1038	1367	1736	2141	2578	3040						
						43	648	912	1214	1551	1922	2321							
114X5062	A02	OP-MGZD038	MTZ022	2	E	27	1215	1609	2064	2572	3128	3722	4346	952	1276	1507	953	1.58	
						32	1099	1466	1887	2359	2875	3427	4008						
						38	958	1292	1676	2104	2573	3075	3604						
						43	840	1148	1500	1892	2322	2783							
114X5063	A02	OP-MGZD048	MTZ028	2	E	27	1604	2072	2621	3249	3951	4717	5538	1151	1576	1951	1152	1.69	
						32	1460	1898	2409	2994	3648	4363	5130						
						38	1281	1684	2151	2685	3282	3937	4640						
						43	1130	1504	1935	2427	2978	3582							
114X5079	A02	OP-MGZD054	MTZ032	2	G	27		2288	2893	3580	4342	5169	6049	1440	2019	2149	1442	1.49	
						32		2087	2651	3290	4000	4772	5594						
						38		1845	2359	2943	3591	4297	5049						
						43		1645	2118	2655	3252	3902	4598						
114X5064	A02	OP-MGZD054	MTZ032	2	E	27	1774	2295	2903	3593	4360	5192	6078	1389	1944	2156	1391	1.55	
						32	1608	2095	2661	3304	4019	4796	5625						
						38	1406	1853	2370	2957	3610	4322							
						43	1240	1652	2129	2669	3271	3928							
114X5065	A02	OP-MGZD060	MTZ036	2	E	27	2355	3027	3789	4632	5546	6520	7539	1698	2278	2891	1701	1.70	
						32	2173	2808	3523	4312	5166	6074	7023						
						38	1945	2534	3194	3918	4700	5530	6396						
						43	1751	2301	2914	3585	4306	5071							
114X5066	A02	OP-MGZD068	MTZ040	2	E	27	2763	3515	4406	5446	6643	7999	9516	1769	2228	3340	1771	1.89	
						32	2544	3257	4102	5088	6222	7510	8952						
						38	2282	2948	3735	4655	5715	6920	8271						
						43	2065	2691	3430	4294	5290	6425							

MBP
(1) G - Compressor 230V/1~/50Hz, fan 230V/1~/50Hz

E - Compressor 400V/3~/50Hz, fan 230V/1~/50Hz

(2) Rated conditions, Saturated suction temperature -10°C. Ambient air temperature +32°C. Return gas temperature 20°C

SEPR, Seasonal Energy Performance Ratio

Q [kW], Cooling capacity

P [kW], Power input

Version

A02: With receiver, stop valve, universal pressure switch, (KP17WB), flexible hoses and electrical box

This table continues in the next page


 For more information related to EcoDesign compliance, please refer to Coolselector®
coolselector.danfoss.com or contact Danfoss


Performance with SH=10K & SC=0K

Code number	Version	Unit	Compressor	Fans	Electrical code	Tamb [°C]	Cooling capacity Q [kW]							P [kW]		EcoDesign (2)				
							Te [°C]							-10°C	5°C	Q [kW]	P [kW]	COP _A	SEPR	
							-15°C	-10°C	-5°C	0°C	5°C	10°C	15°C							
114X5067	A02	OP-MGZD086	MTZ050	2	E	27	3163	4163	5348	6723	8287	10034	11956							
						32	2846	3778	4884	6173	7643	9293	11114	2017	2599	3875	2019	1.92		
						38	2495	3348	4363	5549	6908	8441	10140							
						43	2220	3012	3954	5056	6325	7760								
114X5069	A02	OP-MGZD108	MTZ064	2	E	27	3831	5038	6468	8126	10011	12114	14422							
						32	3472	4607	5952	7516	9296	11288	13479	2446	3269	4728	2447	1.93		
						38	3057	4104	5348	6797	8452	10309	12359							
						43	2724	3698	4857	6210	7760	9505								
114X5070	A02	OP-MGZD121	MTZ072	2	E	27	4316	5617	7163	8958	10998	13271	15758							
						32	3959	5190	6648	8340	10265	12412	14765	2782	3800	5333	2784	1.92	2.46	
						38	3523	4666	6017	7585	9370	11366	13558							
						43	3157	4225	5485	6949	8617	10486								
114X5072	A02	OP-MGZD171	MTZ100	2	E	27	6087	8049	10372	13062	16117	19527	23273							
						32	5563	7407	9589	12116	14989	18199	21732	4485	5614	7598	4488	1.69	2.25	
						38	4935	6638	8650	10981	13635	16607	19885							
						43	4416	6001	7871	10040	12511	15284	18349							
114X5057	A02	OP-MGZD171	MTZ100	2	D	27	6087	8049	10372	13062	16117	19527	23273							
						32	5563	7407	9589	12116	14989	18199	21732	4465	5594	7598	4468	1.70	2.26	
						38	4935	6638	8650	10981	13635	16607	19885							
						43	4416	6001	7871	10040	12511	15284	18349							
114X5118	A02	OP-MGZD215	MTZ125	2	E	27	7838	10252	13096	16382	20109	24269	28847							
						32	7141	9416	12093	15185	18696	22619	26940	5418	6900	9654	5421	1.78	2.34	
						38	6297	8401	10876	13735	16984	20622	24636							
						43	5595	7554	9858	12522	15553	18951								
114X5119	A02	OP-MGZD242	MTZ144	2	E	27	9753	12572	15835	19538	23667	28199	33104							
						32	8964	11631	14710	18200	22091	26362	30986	6603	8429	11944	6610	1.81	2.31	
						38	7996	10476	13330	16562	20165	24123	28412							
						43	7185	9503	12167	15182	18543	22238	26247							
114X5120	A02	OP-MGZD271	MTZ160	2	E	27	10918	14090	17782	21989	26692	31862	37463							
						32	10086	13079	16550	20499	24911	29763	35022	6839	8891	13423	6845	1.96	2.47	
						38	9032	11806	15012	18652	22717	27190	32042							
						43	8120	10711	13694	17075	20852	25009								

MBP

(1) G - Compressor 230V/1~/50Hz, fan 230V/1~/50Hz

E - Compressor 400V/3~/50Hz, fan 230V/1~/50Hz

(2) Rated conditions, Saturated suction temperature -10°C. Ambient air temperature +32°C. Return gas temperature 20°C

SEPR, Seasonal Energy Performance Ratio

Q [kW], Cooling capacity

P [kW], Power input

Version

A02: With receiver, stop valve, universal pressure switch, (KP17WB), flexible hoses and electrical box



For more information related to EcoDesign compliance, please refer to Coolselector® coolselector.danfoss.com or contact Danfoss



Performance with SH=10K & SC=0K

Code number	Version	Unit	Compressor	Fans	Electrical code	Tamb [°C]	Cooling capacity Q [kW]						P [kW]		EcoDesign (2)				
							Te [°C]						-10°C	5°C	Q [kW]	P [kW]	COP _A	SEPR	
							-15°C	-10°C	-5°C	0°C	5°C	10°C							
114X5012	A02	OP-MCZC030	MTZ018	1	E	27	1326	1778	2275	2810	3371	3948							
						32	1170	1597	2065	2567	3092	3630	1011	1418	1621	1012	1.60		
						38		1390	1824	2285	2766								
						43			1630	2059									
114X5024	A02	OP-MCZC030	MTZ018	1	G	27	1313	1772	2282	2832	3406	3995							
						32	1201	1632	2108	2617	3148	3691	1033	1452	1658	1034	1.60		
						38		1459	1897	2361	2842								
						43			1714	2143									
114X5025	A02	OP-MCZC038	MTZ022	1	G	27	1735	2251	2812	3404	4012	4624							
						32	1556	2039	2561	3109	3672		1395	2013	2075	1396	1.49		
						38		1792	2267	2764									
						43			2031										
114X5013	A02	OP-MCZC038	MTZ022	1	E	27	1797	2305	2850	3418	3996	4572							
						32	1607	2085	2593	3120	3654		1388	2030	2122	1389	1.53		
						38		1828	2293	2770									
						43			2049										
114X5026 114X5014	A02	OP-MCZC048	MTZ028	1	G	27	2215	2933	3699	4490	5284	6060							
						32	1982	2660	3378	4113	4845	5556	1716	2547	2706	1717	1.58		
						38		2327	2988	3658									
						43			2658										
114X5027 114X5015	A02	OP-MCZC054	MTZ032	1	G	27	2578	3315	4094	4892	5688	6457							
						32	2301	2998	3728	4470	5203		1934	2954	3054	1935	1.58		
						38		2618	3290	3964									
						43			2924										
114X5028	A02	OP-MCZC060	MTZ036	1	G	27	2997	3815	4683	5579	6479	7361							
						32	2674	3446	4258	5090	5921		2239	3477	3509	2241	1.57		
						38		2994	3740	4497									
						43			3301										
114X5016	A02	OP-MCZC060	MTZ036	1	E	27	3155	3934	4755	5593	6428	7240							
						32	2860	3593	4357	5131	5896		2298	3506	3663	2301	1.59		
						38		3177	3876	4576									
						43			3471										

MBP
(1) G - Compressor 230V/1~/50Hz, fan 230V/1~/50Hz

E - Compressor 400V/3~/50Hz, fan 230V/1~/50Hz

(2) Rated conditions, Saturated suction temperature -10°C. Ambient air temperature +32°C. Return gas temperature 20°C

SEPR, Seasonal Energy Performance Ratio

Q [kW], Cooling capacity

P [kW], Power input

Version

A02: With receiver, stop valve, universal pressure switch, (KP17WB), flexible hoses and electrical box

This table continues in the next page


 For more information related to EcoDesign compliance, please refer to Coolselector®
coolselector.danfoss.com or contact Danfoss


Performance with SH=10K & SC=0K

Code number	Version	Unit	Compressor	Fans	Electrical code	Tamb [°C]	Cooling capacity Q [kW]						P [kW]		EcoDesign (2)				
							Te [°C]								Q [kW]	P [kW]	COP _A	SEPR	
							-15°C	-10°C	-5°C	0°C	5°C	10°C							-10°C
114X5018	A02	OP-MCZC086	MTZ050	1	E	27	4346	5533	6835	8228	9686	11184							
						32	3923	5035	6249	7542	8894	10281	2893	4169	5120	2895	1.77	2.40	
						38		4444	5552	6729	7955	9210							
						43			4981	6061									
114X5019	A02	OP-MCZC096	MTZ056	1	E	27	4708	6052	7534	9128	10801	12522							
						32	4252	5514	6900	8384	9939	11536	3093	4530	5607	3096	1.81	2.46	
						38		4877	6146	7499	8912								
						43			5528	6771									
114X5020	A02	OP-MCZC108	MTZ064	1	E	27	6053	7707	9587	11677	13955	16396							
						32	5505	7054	8811	10764	12895	15180	4003	5392	7154	4006	1.79	2.43	
						38		6290	7896	9682	11632	13726							
						43			7153	8796									
114X5022	A02	OP-MCZC136	MTZ080	1	E	27	8224	10587	13294	16336	19696	23349							
						32	7550	9790	12342	15199	18349	21771	5161	6721	9909	5164	1.92	2.66	
						38		8819	11180	13814	16710	19853							
						43			10203	12648									
114X5023	A02	OP-MCZC171	MTZ100	1	E	27	8610	11184	14060	17198	20548	24055							
						32	7741	10155	12843	15768	18887	22152	6145	8385	10308	6149	1.68	2.34	
						38		8947	11405	14072	16912	19881							
						43			10236	12685									
114X5073	A02	OP-MGZC215	MTZ125	1	E	27	12388	15672	19340	23356	27675	32240							
						32	11274	14373	17815	21572	25604	29862	8291	11143	14586	8298	1.76	2.40	
						38		12805	15977	19423	23111	27000							
						43			14445	17633									
114X5075	A02	OP-MGZC271	MTZ160	1	E	27	15766	19633	23933	28611	33603	38833							
						32	14455	18094	22118	26483	31130	35994	10635	14446	18392	10646	1.73	2.33	
						38		16246	19939	23926	28159	32582							
						43			18126	21797									

MBP

(1) G - Compressor 230V/1~/50Hz, fan 230V/1~/50Hz

E - Compressor 400V/3~/50Hz, fan 230V/1~/50Hz

(2) Rated conditions, Saturated suction temperature -10°C. Ambient air temperature +32°C. Return gas temperature 20°C

SEPR, Seasonal Energy Performance Ratio

Q [kW], Cooling capacity

P [kW], Power input

Version

A02: With receiver, stop valve, universal pressure switch, (KP17WB), flexible hoses and electrical box

This table continues in the next page


 For more information related to EcoDesign compliance, please refer to Coolselector®
coolselector.danfoss.com or contact Danfoss


Performance with SH=10K & SC=0K

Code number	Version	Unit	Compressor	Fans	Electrical code	Tamb [°C]	Cooling capacity Q [kW]						P [kW]		EcoDesign (2)				
							Te [°C]								Q [kW]	P [kW]	COP _A	SEPR	
							-15°C	-10°C	-5°C	0°C	5°C	10°C							-10°C
114X5061	A02	OP-MGZD030	MTZ018	2	E	27	1354	1818	2333	2890	3479	4090							
						32	1195	1633	2118	2641	3192	3763	1085	1476	1657	1086	1.53		
						38		1422	1871	2352	2858	3380							
						43			1673	2120									
114X5076	A02	OP-MGZD030	MTZ018	2	G	27	1332	1802	2330	2902	3507	4132							
						32	1219	1662	2153	2684	3243	3820	1106	1509	1687	1106	1.53		
						38	1074	1488	1941	2425	2931	3451							
						43	939	1333	1757	2205									
114X5062	A02	OP-MGZD038	MTZ022	2	E	27	1798	2307	2852	3421	4000	4576							
						32	1608	2086	2595	3123	3657	4186	1409	2124	2123	1403	1.51		
						38	1387	1829	2294	2772	3252								
						43	1210	1622	2051	2487									
114X5063	A02	OP-MGZD048	MTZ028	2	E	27	2233	2918	3653	4420	5200	5977							
						32	1997	2643	3331	4045	4767	5482	1697	2630	2689	1685	1.60		
						38	1716	2316	2948	3598	4251								
						43	1485	2047	2634	3231									
114X5079	A02	OP-MGZD054	MTZ032	2	G	27	2554	3281	4047	4828	5602	6346	1951	2988	3022	1952	1.55		
						32	2278	2966	3684	4409	5121								
						38	1947	2589	3248	3906									
						43	1671	2274	2885										
114X5064	A02	OP-MGZD054	MTZ032	2	E	27	2638	3334	4067	4818	5567	6293							
						32	2373	3027	3711	4405	5092	5754	1931	2930	3085	1932	1.60		
						38	2060	2666	3290	3917									
						43	1805	2370	2946	3517									
114X5066	A02	OP-MGZD068	MTZ040	2	E	27	4228	5344	6597	7976	9466	11049							
						32	3896	4952	6129	7417	8804	10275	2790	3851	3340	1771	1.89		
						38		4470	5557	6739	8005	9342							
						43			5071	6166									
114X5065	A02	OP-MGZD060	MTZ036	2	E	27	3265	4091	4972	5890	6821	7748							
						32	2965	3743	4566	5416	6274	7122	2454	3706	3811	2412	1.58		
						38	2598	3320	4075	4846	5616								
						43	2283	2961	3662	4369									

MBP
(1) G - Compressor 230V/1~/50Hz, fan 230V/1~/50Hz

E - Compressor 400V/3~/50Hz, fan 230V/1~/50Hz

(2) Rated conditions, Saturated suction temperature -10°C. Ambient air temperature +32°C. Return gas temperature 20°C

SEPR, Seasonal Energy Performance Ratio

Q [kW], Cooling capacity

P [kW], Power input

Version

A02: With receiver, stop valve, universal pressure switch, (KP17WB), flexible hoses and electrical box

This table continues in the next page


 For more information related to EcoDesign compliance, please refer to Coolselector®
coolselector.danfoss.com or contact Danfoss


Performance with SH=10K & SC=0K

Code number	Version	Unit	Compressor	Fans	Electrical code	Tamb [°C]	Cooling capacity Q [kW]						P [kW]		EcoDesign (2)					
							Te [°C]						-10°C	5°C	Q [kW]	P [kW]	COP _A	SEPR		
							-15°C	-10°C	-5°C	0°C	5°C	10°C								
114X5067	A02	OP-MGZD086	MTZ050	2	E	27	4673	6011	7518	9180	10976	12883								
						32	4230	5486	6895	8444	10116	11892	3011	4231	5563	2933	1.90	2.58		
						38		4859	6150	7565	9091	10711								
						43			5537	6841										
114X5069	A02	OP-MGZD108	MTZ064	2	E	27	5913	7503	9295	11270	13404	15665								
						32	5377	6863	8537	10380	12371	14483	3758	5404	6968	3674	1.90	2.60		
						38		6118	7645	9326	11143	13073								
						43			6922	8465										
114X5070	A02	OP-MGZD121	MTZ072	2	E	27	6499	8255	10209	12327	14575	16912								
						32	5913	7560	9384	11360	13450	15620	4412	6355	7686	4322	1.78	2.39		
						38		6737	8402	10198	12096									
						43			7598	9242										
114X5072	A02	OP-MGZD171	MTZ100	2	E	27	8974	11718	14828	18275	22019	26013								
						32	8078	10655	13567	16789	20285	24014	6370	8398	10798	6374	1.69	2.38		
						38		9401	12070	15017	18213	21622								
						43			10848	13562										
114X5057	A02	OP-MGZD171	MTZ100	2	D	27	8974	11718	14828	18275	22019	26013								
						32	8078	10655	13567	16789	20285	24014	6350	8378	10798	6354	1.70	2.38		
						38		9401	12070	15017	18213	21622								
						43			10848	13562										
114X5118	A02	OP-MGZD215	MTZ125	2	E	27	12648	16045	19866	24086	28665	33555								
						32	11524	14731	18322	22275	26557	31126	8480	11508	14936	8232	1.81	2.49		
						38	10163	13142	16456	20089	24015	28200								
						43	9027	11816	14898	18264										
114X5119	A02	OP-MGZD242	MTZ144	2	E	27	13593	17260	21364	25871	30733	35893								
						32	12389	15849	19704	23925	28472	33293	9529	12928	16084	9239	1.74	2.36		
						38	10956	14163	17715	21591	25756	30169								
						43	9784	12774	16069	19653										
114X5120	A02	OP-MGZD271	MTZ160	2	E	27	16378	20503	25155	30300	35887	41851								
						32	15041	18929	23294	28107	33327	38896	10665	14484	19205	10314	1.86	2.54		
						38		17035	21053	25467	30244	35338								
						43			19184	23265										

MBP
(1) G - Compressor 230V/1~/50Hz, fan 230V/1~/50Hz

E - Compressor 400V/3~/50Hz, fan 230V/1~/50Hz

(2) Rated conditions, Saturated suction temperature -10°C. Ambient air temperature +32°C. Return gas temperature 20°C

SEPR, Seasonal Energy Performance Ratio

Q [kW], Cooling capacity

P [kW], Power input

Version

A02: With receiver, stop valve, universal pressure switch, (KP17WB), flexible hoses and electrical box


 For more information related to EcoDesign compliance, please refer to Coolselector®
coolselector.danfoss.com or contact Danfoss


Performance with SH=10K & SC=0K

Code number	Version	Unit	Compressor	Fans	Electrical code	Tamb [°C]	Cooling capacity Q [kW]						P [kW]		EcoDesign (2)					
							Te [°C]						-10°C	5°C	Q [kW]	P [kW]	COP _A	SEPR		
							-20°C	-15°C	-10°C	-5°C	0°C	5°C							10°C	
114X5024	A02	OP-MCZC030	MTZ018	1	G	27	1043	1425	1856	2329	2835	3367	3916							
						32	933	1286	1682	2118	2585	3075	3580	1140	1611	1722	1140	1.51		
						38	803	1119	1475	1866	2285	2725	3179							
						43	696	983	1305	1658	2037	2436								
114X5012	A02	OP-MCZC030	MTZ018	1	E	27	1047	1430	1863	2339	2849	3385	3938							
						32	937	1291	1690	2128	2598	3093	3603	1098	1548	1729	1099	1.57		
						38	806	1124	1483	1877	2299	2744	3203							
						43	699	988	1313	1669	2052	2455								
114X5025	A02	OP-MCZC038	MTZ022	1	G	27	1424	1877	2378	2917	3483	4062	4641							
						32	1261	1678	2140	2637	3158	3691	4222	1467	2187	2195	1468	1.50		
						38	1069	1444	1859	2305	2772	3248	3722							
						43	916	1254	1629	2032	2453	2883								
114X5013	A02	OP-MCZC038	MTZ022	1	E	27	1430	1885	2390	2933	3505	4090	4677							
						32	1267	1687	2152	2654	3180	3720	4260	1414	2103	2206	1416	1.56		
						38	1075	1452	1871	2321	2794	3278	3761							
						43	921	1262	1641	2049	2476	2914								
114X5026 114X5014	A02	OP-MCZC048	MTZ028	1	G	27	1882	2480	3139	3848	4593	5363	6142							
						32	1676	2235	2848	3507	4199	4912	5633	1907	2832	2922	1909	1.53		
						38	1433	1944	2503	3102	3729	4373	5023							
						43	1235	1706	2220	2767	3340	3927								
114X5027 114X5015	A02	OP-MCZC054	MTZ032	1	G	27	2165	2797	3481	4201	4943	5688	6420							
						32	1933	2519	3152	3816	4498	5180	5849	2107	3187	3237	2110	1.53		
						38	1655	2187	2758	3355	3964	4572	5164							
						43	1427	1914	2432	2972	3521	4066								
114X5028	A02	OP-MCZC060	MTZ036	1	G	27	2557	3280	4053	4860	5682	6500	7297							
						32	2294	2965	3679	4420	5172	5918	6641	2497	3772	3781	2501	1.51		
						38	1976	2586	3229	3893	4561	5220	5855							
						43	1713	2271	2856	3454	4054	4641								
114X5016	A02	OP-MCZC060	MTZ036	1	E	27	2568	3295	4074	4889	5720	6550	7361							
						32	2305	2981	3701	4450	5212	5969	6708	2403	3621	3803	2407	1.58		
						38	1987	2601	3251	3923	4602	5274	5924							
						43	1723	2287	2878	3485	4095	4696								

MBP
(1) G - Compressor 230V/1~/50Hz, fan 230V/1~/50Hz

E - Compressor 400V/3~/50Hz, fan 230V/1~/50Hz

(2) Rated conditions, Saturated suction temperature -10°C. Ambient air temperature +32°C. Return gas temperature 20°C

SEPR, Seasonal Energy Performance Ratio

Q [kW], Cooling capacity

P [kW], Power input

Version

A02: With receiver, stop valve, universal pressure switch, (KP17WB), flexible hoses and electrical box

This table continues in the next page


 For more information related to EcoDesign compliance, please refer to Coolselector®
coolselector.danfoss.com or contact Danfoss


Performance with SH=10K & SC=0K

Code number	Version	Unit	Compressor	Fans	Electrical code	Tamb [°C]	Cooling capacity Q [kW]						P [kW]		EcoDesign (2)					
							Te [°C]						-10°C	5°C	Q [kW]	P [kW]	COP _A	SEPR		
							-20°C	-15°C	-10°C	-5°C	0°C	5°C							10°C	
114X5018	A02	OP-MCZC086	MTZ050	1	E	27	3579	4663	5870	7181	8578	10040	11544							
						32	3191	4200	5321	6541	7841	9202	10603	2935	4204	5451	2939	1.85	2.47	
						38	2738	3655	4674	5783	6966	8205	9482							
						43	2374	3214	4147	5163	6247	7384								
114X5019	A02	OP-MCZC096	MTZ056	1	E	27	3794	4982	6315	7775	9341	10990	12694							
						32	3392	4502	5745	7108	8572	10112	11703	3188	4712	5886	3193	1.84	2.44	
						38	2923	3938	5075	6320	7658	9067	10522							
						43	2546	3481	4528	5675	6907	8205								
114X5020	A02	OP-MCZC108	MTZ064	1	E	27	4832	6352	8095	10050	12203	14533	17017							
						32	4339	5760	7387	9214	11228	13410	15738	4238	5826	7547	4242	1.78	2.41	
						38	3743	5043	6532	8204	10051	12055	14198							
						43	3250	4448	5819	7362	9069	10920								
114X5022	A02	OP-MCZC136	MTZ080	1	E	27	6813	8865	11215	13864	16807	20035	23533							
						32	6174	8108	10318	12807	15574	18611	21906	5315	7114	10516	5320	1.98	2.58	
						38	5404	7192	9232	11529	14083	16890	19939							
						43	4765	6429	8325	10460	12835	15449								
114X5023	A02	OP-MCZC171	MTZ100	1	E	27	7249	9517	12056	14835	17817	20962	24228							
						32	6542	8657	11016	13592	16355	19268	22294	6449	8778	11270	6458	1.75	2.41	
						38	5670	7603	9747	12083	14585	17222	19963							
						43	4929	6711	8679	10816	13101	15510								
114X5073	A02	OP-MGZC215	MTZ125	1	E	27	9681	12589	15885	19550	23555	27864	32432							
						32	8677	11396	14477	17907	21658	25697	29985	8506	11622	14794	8515	1.74	2.40	
						38	7501	9989	12811	15955	19400	23115	27064							
						43	6552	8845	11448	14353	17540	20983								
114X5075	A02	OP-MGZC271	MTZ160	1	E	27	12247	15768	19697	23995	28613	33489	38557							
						32	11078	14378	18049	22059	26361	30903	35621	10856	15258	18477	10871	1.70	2.27	
						38	9657	12689	16048	19709	23633	27773	32074							
						43	8470	11274	14371	17740	21347	25151								

MBP

(1) G - Compressor 230V/1~/50Hz, fan 230V/1~/50Hz

E - Compressor 400V/3~/50Hz, fan 230V/1~/50Hz

(2) Rated conditions, Saturated suction temperature -10°C. Ambient air temperature +32°C. Return gas temperature 20°C

SEPR, Seasonal Energy Performance Ratio

Q [kW], Cooling capacity

P [kW], Power input

Version

A02: With receiver, stop valve, universal pressure switch, (KP17WB), flexible hoses and electrical box

This table continues in the next page



For more information related to EcoDesign compliance, please refer to Coolselector® coolselector.danfoss.com or contact Danfoss



Performance with SH=10K & SC=0K

Code number	Version	Unit	Compressor	Fans	Electrical code	Tamb [°C]	Cooling capacity Q [kW]							P [kW]		EcoDesign (2)				
							Te [°C]									Q [kW]	P [kW]	COP _A	SEPR	
							-20°C	-15°C	-10°C	-5°C	0°C	5°C	10°C							-10°C
114X5061	A02	OP-MGZD030	MTZ018	2	E	27	1063	1456	1904	2398	2933	3499	4089							
						32	952	1315	1728	2184	2678	3202	3747	1172	1606	1767	1172	1.51		
						38	820	1147	1518	1929	2373	2845	3338							
						43	711	1009	1345	1718	2121	2550								
114X5062	A02	OP-MGZD038	MTZ022	2	E	27	1431	1886	2391	2935	3507	4094	4682							
						32	1268	1688	2154	2656	3183	3723	4264	1454	2202	2208	1430	1.54		
						38	1076	1453	1872	2323	2797	3282	3765							
						43	922	1263	1642	2050	2479	2917								
114X5063	A02	OP-MGZD048	MTZ028	2	E	27	1868	2459	3107	3802	4531	5280	6036							
						32	1664	2216	2820	3466	4142	4836	5535	1903	2884	2893	1859	1.56		
						38	1423	1928	2478	3065	3678	4306	4935							
						43	1226	1692	2197	2735	3295	3866								
114X5064	A02	OP-MGZD054	MTZ032	2	E	27	2157	2784	3462	4174	4906	5639	6359							
						32	1926	2508	3135	3792	4465	5138	5795	2047	3091	3221	2050	1.57		
						38	1650	2178	2744	3335	3937	4536	5118							
						43	1423	1906	2421	2956	3498	4036								
114X5065	A02	OP-MGZD060	MTZ036	2	E	27	2651	3419	4252	5137	6056	6992	7927							
						32	2384	3099	3871	4688	5533	6392	7248	2571	3812	3972	2512	1.58		
						38	2060	2711	3411	4146	4904	5671	6433							
						43	1790	2389	3027	3695	4380	5071								
114X5066	A02	OP-MGZD068	MTZ040	2	E	27	3391	4404	5542	6801	8173	9648	11214							
						32	3097	4050	5115	6289	7565	8935	10388	2841	3957	5221	2725	1.92	2.45	
						38	2730	3611	4587	5657	6817	8060	9377							
						43	2418	3236	4136	5119	6182	7318								
114X5067	A02	OP-MGZD086	MTZ050	2	E	27	3836	5048	6428	7964	9645	11454	13373							
						32	3427	4556	5841	7275	8845	10538	12335	3055	4259	5966	2977	2.00	2.69	
						38	2947	3976	5148	6457	7894	9446	11097							
						43	2560	3505	4581	5786	7111	8544								

MBP
(1) G - Compressor 230V/1~/50Hz, fan 230V/1~/50Hz

E - Compressor 400V/3~/50Hz, fan 230V/1~/50Hz

(2) Rated conditions, Saturated suction temperature -10°C. Ambient air temperature +32°C. Return gas temperature 20°C

SEPR, Seasonal Energy Performance Ratio

Q [kW], Cooling capacity

P [kW], Power input

Version

A02: With receiver, stop valve, universal pressure switch, (KP17WB), flexible hoses and electrical box

This table continues in the next page


 For more information related to EcoDesign compliance, please refer to Coolselector®
coolselector.danfoss.com or contact Danfoss


Performance with SH=10K & SC=0K

Code number	Version	Unit	Compressor	Fans	Electrical code	Tamb [°C]	Cooling capacity Q [kW]						P [kW]		EcoDesign (2)				
							Te [°C]						-10°C	5°C	Q [kW]	P [kW]	COP _A	SEPR	
							-20°C	-15°C	-10°C	-5°C	0°C	5°C							10°C
114X5069	A02	OP-MGZD108	MTZ064	2	E	27	4728	6195	7863	9720	11747	13919	16210	3992	5802	7330	3908	1.88	2.46
						32	4240	5610	7166	8899	10791	12821	14965						
						38	3653	4904	6326	7909	9640	11501	13469						
						43	3168	4320	5627	7086	8682	10401							
114X5070	A02	OP-MGZD121	MTZ072	2	E	27	5228	6786	8536	10461	12540	14748	17055	4433	6509	7957	4343	1.83	2.40
						32	4676	6134	7771	9573	11522	13592	15757						
						38	4032	5367	6867	8521	10311	12215	14209						
						43	3515	4745	6130	7658	9314	11078							
114X5072	A02	OP-MGZD171	MTZ100	2	E	27	7495	9896	12619	15646	18948	22491	26237	6655	8774	11809	6662	1.77	2.41
						32	6784	9027	11563	14377	17445	20738	24222						
						38	5900	7955	10268	12829	15619	18614	21786						
						43	5145	7044	9173	11524	14083	16832							
114X5118	A02	OP-MGZD215	MTZ125	2	E	27	9877	12880	16303	20136	24355	28930	33822	8688	11958	15180	8456	1.80	2.43
						32	8858	11666	14870	18459	22415	26710	31309						
						38	7662	10234	13171	16466	20105	24063	28308						
						43	6697	9069	11781	14829	18200	21874							
114X5119	A02	OP-MGZD242	MTZ144	2	E	27	11388	14700	18419	22516	26954	31683	36651	9950	13796	17247	9689	1.78	2.36
						32	10294	13396	16868	20689	24823	29230	33860						
						38	8963	11808	14983	18471	22243	26263	30488						
						43	7851	10479	13403	16612	20080	23778							
114X5120	A02	OP-MGZD271	MTZ160	2	E	27	12684	16414	20630	25310	30418	35907	41719	10877	15280	19365	10556	1.83	2.43
						32	11501	15005	18954	23332	28108	33239	38674						
						38	10054	13281	16908	20922	25298	30000	34982						
						43	8840	11832	15187	18894	22935	27277							

MBP

(1) G - Compressor 230V/1~/50Hz, fan 230V/1~/50Hz

E - Compressor 400V/3~/50Hz, fan 230V/1~/50Hz

(2) Rated conditions, Saturated suction temperature -10°C. Ambient air temperature +32°C. Return gas temperature 20°C

SEPR, Seasonal Energy Performance Ratio

Q [kW], Cooling capacity

P [kW], Power input

Version

A02: With receiver, stop valve, universal pressure switch, (KP17WB), flexible hoses and electrical box



For more information related to EcoDesign compliance, please refer to Coolselector® coolselector.danfoss.com or contact Danfoss



Performance with SH=10K & SC=0K

Code number	Version	Unit	Compressor	Fans	Electrical code	Tamb [°C]	Cooling capacity Q [kW]							P [kW]		EcoDesign (2)				
							Te [°C]									Q [kW]	P [kW]	COP _A	SEPR	
							-20°C	-15°C	-10°C	-5°C	0°C	5°C	10°C							-10°C
114X5024	A02	OP-MCZC030	MTZ018	1	G	27	1087	1488	1937	2429	2957	3514	4093							
						32	969	1343	1764	2225	2721	3244	3788	1213	1726	1788	1214	1.47		
						38	845	1189	1575	1999	2455	2937								
						43	756	1075	1433	1826										
114X5012	A02	OP-MCZC030	MTZ018	1	E	27	1092	1494	1945	2440	2971	3532	4115							
						32	972	1349	1771	2235	2734	3262	3810	1168	1658	1796	1168	1.54		
						38	848	1193	1582	2009	2468	2955								
						43	759	1080	1440	1835										
114X5025	A02	OP-MCZC038	MTZ022	1	G	27	1479	1951	2476	3047	3655	4292	4945							
						32	1314	1760	2257	2798	3376	3981	4600	1568	2401	2295	1570	1.46		
						38	1140	1556	2019	2525	3065									
						43	1013	1404	1840	2317										
114X5013	A02	OP-MCZC038	MTZ022	1	E	27	1486	1961	2488	3063	3676	4318	4979							
						32	1321	1769	2269	2813	3396	4007	4634	1510	2303	2306	1512	1.53		
						38	1146	1563	2030	2539	3085	3657								
						43	1018	1411	1850	2331										
114X5026 114X5014	A02	OP-MCZC048	MTZ028	1	G	27	1983	2553	3194	3894	4639	5412	6195							
						32	1813	2341	2931	3573	4255	4962	5677	1963	2852	2978	1966	1.52		
						38	1608	2087	2616	3190	3797	4425								
						43	1434	1873	2354	2871										
114X5027 114X5015	A02	OP-MCZC054	MTZ032	1	E	27	2252	2912	3633	4408	5230	6087	6968							
						32	2016	2647	3338	4082	4871	5694		2249	3539	3401	2253	1.51		
						38	1762	2361	3017	3724	4474									
						43	1569	2145	2774	3451										
114X5028	A02	OP-MCZC060	MTZ036	1	G	27	2656	3419	4245	5121	6035	6974	7922							
						32	2400	3132	3923	4761	5636	6532		2695	4219	4000	2701	1.48		
						38	2119	2817	3569	4365	5192									
						43	1898	2573	3295	4056										
114X5016	A02	OP-MCZC060	MTZ036	1	E	27	2667	3435	4265	5147	6069	7017	7977							
						32	2411	3147	3942	4787	5669	6575		2590	4040	4018	2596	1.55		
						38	2129	2831	3588	4389	5224									
						43	1909	2586	3313	4081										

MBP
(1) G - Compressor 230V/1~/50Hz, fan 230V/1~/50Hz

E - Compressor 400V/3~/50Hz, fan 230V/1~/50Hz

(2) Rated conditions, Saturated suction temperature -10°C. Ambient air temperature +32°C. Return gas temperature 20°C

SEPR, Seasonal Energy Performance Ratio

Q [kW], Cooling capacity

P [kW], Power input

Version

A02: With receiver, stop valve, universal pressure switch, (KP17WB), flexible hoses and electrical box

This table continues in the next page


 For more information related to EcoDesign compliance, please refer to Coolselector®
coolselector.danfoss.com or contact Danfoss


Performance with SH=10K & SC=0K

Code number	Version	Unit	Compressor	Fans	Electrical code	Tamb [°C]	Cooling capacity Q [kW]						P [kW]		EcoDesign (2)				
							Te [°C]						-10°C	5°C	Q [kW]	P [kW]	COP _A	SEPR	
							-20°C	-15°C	-10°C	-5°C	0°C	5°C							10°C
114X5018	A02	OP-MCZC086	MTZ050	1	E	27	3731	4857	6112	7487	8970	10549	12210	3148	4622	5683	3152	1.80	2.47
						32	3335	4403	5597	6910	8331	9849	11449						
						38	2924	3928	5054	6296	7645	9089							
						43	2627	3585	4659	5845									
114X5019	A02	OP-MCZC096	MTZ056	1	E	27	3961	5196	6582	8113	9780	11574	13483	3401	5137	6142	3405	1.80	2.44
						32	3546	4722	6049	7520	9129	10866	12719						
						38	3116	4231	5492	6896	8438	10108							
						43	2805	3876	5088	6442									
114X5020	A02	OP-MCZC108	MTZ064	1	E	27	5101	6677	8474	10487	12714	15144	17768	4456	6193	7833	4459	1.76	2.41
						32	4550	6038	7740	9656	11782	14112	16635						
						38	3970	5361	6957	8761	10771	12981							
						43	3540	4861	6376	8092									
114X5022	A02	OP-MCZC136	MTZ080	1	E	27	7255	9417	11867	14607	17636	20951	24544	5593	7512	10927	5595	1.95	2.79
						32	6486	8518	10827	13419	16296	19455	22893						
						38	5704	7600	9758	12187	14891	17872							
						43	5147	6951	9000	11307									
114X5023	A02	OP-MCZC171	MTZ100	1	E	27	7575	9942	12581	15466	18572	21868	25323	6827	9392	11714	6833	1.71	2.41
						32	6820	9061	11558	14291	17235	20364	23648						
						38	6003	8112	10455	13015	15773	18705							
						43	5365	7384	9613	12042									
114X5073	A02	OP-MGZC215	MTZ125	1	E	27	10177	13199	16603	20382	24526	29021	33849	8952	12376	15344	8958	1.71	2.40
						32	9076	11929	15158	18760	22729	27050	31710						
						38	7960	10631	13667	17070	20838	24960							
						43	7177	9717	12610	15863									
114X5075	A02	OP-MGZC271	MTZ160	1	E	27	12864	16516	20575	25027	29850	35019	40502	11458	16376	19218	11469	1.68	2.27
						32	11600	15077	18952	23213	27844	32820	38111						
						38	10280	13571	17242	21290	25699	30451							
						43	9310	12471	15993	19877									

MBP

(1) G - Compressor 230V/1~/50Hz, fan 230V/1~/50Hz

E - Compressor 400V/3~/50Hz, fan 230V/1~/50Hz

(2) Rated conditions, Saturated suction temperature -10°C. Ambient air temperature +32°C. Return gas temperature 20°C

SEPR, Seasonal Energy Performance Ratio

Q [kW], Cooling capacity

P [kW], Power input

Version

A02: With receiver, stop valve, universal pressure switch, (KP17WB), flexible hoses and electrical box

This table continues in the next page



For more information related to EcoDesign compliance, please refer to Coolselector® coolselector.danfoss.com or contact Danfoss



Performance with SH=10K & SC=0K

Code number	Version	Unit	Compressor	Fans	Electrical code	Tamb [°C]	Cooling capacity Q [kW]							P [kW]		EcoDesign (2)				
							Te [°C]							-10°C	5°C	Q [kW]	P [kW]	COP _A	SEPR	
							-20°C	-15°C	-10°C	-5°C	0°C	5°C	10°C							
114X5076	A02	OP-MGZD030	MTZ018	2	G	27	1107	1518	1982	2493	3045	3631	4244							
						32	985	1369	1803	2282	2800	3350	3927	1284	1777	1827	1285	1.42		
						38	858	1210	1608	2048	2525	3033								
						43	767	1094	1462	1870										
114X5061	A02	OP-MGZD030	MTZ018	2	E	27	1111	1524	1990	2503	3058	3647	4265							
						32	989	1374	1810	2291	2812	3367	3948	1239	1711	1834	1240	1.48		
						38	861	1215	1615	2058	2537	3049								
						43	770	1098	1468	1879										
114X5062	A02	OP-MGZD038	MTZ022	2	E	27	1487	1962	2490	3065	3679	4322	4983							
						32	1321	1770	2270	2815	3398	4010	4638	1524	2316	2307	1526	1.51		
						38	1147	1564	2031	2541	3087	3660								
						43	1018	1412	1851	2332										
114X5063	A02	OP-MGZD048	MTZ028	2	E	27	1949	2560	3236	3971	4763	5605	6491							
						32	1728	2315	2965	3675	4442	5259		1967	3048	3015	1970	1.53		
						38	1493	2053	2676	3357	4095									
						43	1319	1860	2462	3122										
114X5079	A02	OP-MGZD054	MTZ032	2	G	27	2233	2885	3596	4360	5167	6008	6868							
						32	2000	2624	3306	4039	4815	5622		2271	3588	3369	2275	1.48		
						38	1748	2341	2990	3687	4424									
						43	1557	2127	2749	3417										
114X5064	A02	OP-MGZD054	MTZ032	2	E	27	2243	2899	3614	4383	5197	6046	6917							
						32	2010	2637	3323	4062	4844	5659		2185	3438	3386	2189	1.55		
						38	1757	2353	3006	3708	4452									
						43	1566	2138	2764	3438										
114X5065	A02	OP-MGZD060	MTZ036	2	E	27	2758	3562	4439	5378	6369	7401	8458							
						32	2489	3257	4095	4992	5939	6923	7932	2677	4009	4165	2681	1.55		
						38	2197	2927	3721	4570	5465	6394								
						43	1971	2674	3436	4248										
114X5066	A02	OP-MGZD068	MTZ040	2	E	27	3585	4643	5825	7128	8546	10072	11697							
						32	3232	4231	5347	6577	7917	9360	10899	2865	3957	5404	2867	1.89	2.61	
						38	2858	3795	4838	5986	7236	8583								
						43	2578	3471	4460	5545										

MBP
(1) G - Compressor 230V/1~/50Hz, fan 230V/1~/50Hz

E - Compressor 400V/3~/50Hz, fan 230V/1~/50Hz

(2) Rated conditions, Saturated suction temperature -10°C. Ambient air temperature +32°C. Return gas temperature 20°C

SEPR, Seasonal Energy Performance Ratio

Q [kW], Cooling capacity

P [kW], Power input

Version

A02: With receiver, stop valve, universal pressure switch, (KP17WB), flexible hoses and electrical box

This table continues in the next page


 For more information related to EcoDesign compliance, please refer to Coolselector®
coolselector.danfoss.com or contact Danfoss


Performance with SH=10K & SC=0K

Code number	Version	Unit	Compressor	Fans	Electrical code	Tamb [°C]	Cooling capacity Q [kW]							P [kW]		EcoDesign (2)						
							Te [°C]							-10°C	5°C	Q [kW]	P [kW]	COP _A	SEPR			
							-20°C	-15°C	-10°C	-5°C	0°C	5°C	10°C									
114X5067	A02	OP-MGZD086	MTZ050	2	E	27	4035	5296	6722	8307	10043	11922	13931	3147	4335	6182	3150	1.96	2.75			
						32	3583	4767	6111	7613	9265	11059	12985									
						38	3120	4220	5473	6879	8432	10126										
						43	2790	3830	5015	6346												
114X5069	A02	OP-MGZD108	MTZ064	2	E	27	4972	6490	8212	10133	12245	14539	17003	4130	5972	7616	4133	1.84	2.52			
						32	4443	5881	7517	9349	11371	13575	15948									
						38	3883	5232	6771	8501	10418	12514										
						43	3465	4749	6215	7865												
114X5070	A02	OP-MGZD121	MTZ072	2	E	27	5462	7081	8896	10905	13100	15474	18018	4606	6747	8287	4610	1.80	2.41			
						32	4890	6431	8168	10099	12219	14521	16998									
						38	4304	5760	7410	9254	11288	13509										
						43	3886	5282	6868	8646												
114X5072	A02	OP-MGZD171	MTZ100	2	E	27	7882	10394	13223	16351	19756	23412	27291	7007	9309	12246	7012	1.75	2.51			
						32	7079	9444	12108	15058	18274	21733	25412									
						38	6223	8436	10921	13670	16668	19898										
						43	5565	7674	10029	12626												
114X5057	A02	OP-MGZD171	MTZ100	2	D	27	7882	10394	13223	16351	19756	23412	27291	6987	9289	12246	6992	1.75	2.52			
						32	7079	9444	12108	15058	18274	21733	25412									
						38	6223	8436	10921	13670	16668	19898										
						43	5565	7674	10029	12626												
114X5118	A02	OP-MGZD215	MTZ125	2	E	27	10422	13552	17091	21037	25382	30114	35218	8879	12105	15736	8884	1.77	2.52			
						32	9274	12217	15563	19313	23460	27997	32908									
						38	8113	10857	13990	17517	21439	25750										
						43	7302	9903	12877	16237												
114X5119	A02	OP-MGZD242	MTZ144	2	E	27	11997	15433	19267	23488	28080	33022	38287	10187	14101	17906	10195	1.76	2.42			
						32	10784	14039	17681	21701	26088	30821	35876									
						38	9516	12578	16007	19801	23951	28441										
						43	8589	11513	14783	18403												
114X5120	A02	OP-MGZD271	MTZ160	2	E	27	13421	17302	21651	26462	31719	37402	43485	11110	15562	20097	11118	1.81	2.51			
						32	12061	15735	19864	24444	29466	34912	40758									
						38	10652	14106	17992	22315	27067	32237										
						43	9630	12928	16636	20762												

MBP
(1) G - Compressor 230V/1~/50Hz, fan 230V/1~/50Hz

E - Compressor 400V/3~/50Hz, fan 230V/1~/50Hz

(2) Rated conditions, Saturated suction temperature -10°C. Ambient air temperature +32°C. Return gas temperature 20°C

SEPR, Seasonal Energy Performance Ratio

Q [kW], Cooling capacity

P [kW], Power input

Version

A02: With receiver, stop valve, universal pressure switch, (KP17WB), flexible hoses and electrical box


 For more information related to EcoDesign compliance, please refer to Coolselector®
coolselector.danfoss.com or contact Danfoss


Application	Code number			Model number	Compressor model	Electrical code (1)	Refrigerant (2)	Condenser coil			Fan		Receiver	Dimensions					Weight		
								Type	Airflow	Internal volume	Number	Blade ø	Volume	Figure	Height	Width	Depth	Suction line	Liquid line	Gross	Net
		(m³/h)	(dm³)						(mm)	(L)		mm	mm	mm	inch	inch	Kg	Kg			
LBP	114X1208	114X1209	114X1211	OP-LCHC004	TL4CLX	G	H	BG2	231	0.25	1	200	0.8	1	226	304	446	1/4"	1/4"	19	17
LBP	114X1216	114X1217	114X1219	OP-LCHC006	FR6CLX	G	H	BG2	231	0.25	1	200	0.8	2	226	312	446	3/8"	1/4"	19	17
LBP	114X1324	114X1325	114X1327	OP-LCHC008	FR8.5CLX	G	H	BG3	518	0.31	1	230	1.1	2	256	321	458	3/8"	1/4"	20	18
LBP	114X1328	114X1329	114X1331	OP-LCHC007	NL7CLX	G	H	BG3	518	0.31	1	230	1.1	3	256	321	471	3/8"	1/4"	20	18
LBP	114X1304			OP-LCHC008	NL8.4CLX	G	H	BG3	518	0.31	1	230	1.1	3	256	310	444	3/8"	1/4"	18*	16*
LBP	114X1332	114X1333	114X1335	OP-LCHC010	SC10CLX	G	H	BG3	518	0.31	1	230	1.1	4	256	321	458	3/8"	1/4"	20	18
LBP	114X1440	114X1441	114X1443	OP-LCHC012	SC12CLX	G	H	BG4	631	0.4	1	254	1.1	4	296	331	465	3/8"	1/4"	25	22
LBP	114X1444			OP-LCHC012	SC12CLX.2	G	H	BG4	631	0.4	1	254	1.1	4	296	331	451	3/8"	1/4"	23*	20*
LBP	114X1548	114X1549	114X1551	OP-LCHC015	SC15CLX	G	H	BG4	631	0.4	1	254	1.1	4	296	331	487	3/8"	1/4"	26	23
LBP	114X1556	114X1557	114X1559	OP-LCHC018	SC18CLX	G	H	BG4	631	0.4	1	254	1.1	4	296	331	513	1/2"	1/4"	26	23
LBP	114X1564	114X1565	114X1567	OP-LCHC021	SC21CLX	G	H	BG4	631	0.4	1	254	1.1	4	296	331	513	1/2"	1/4"	26	23
LBP		114X1673		OP-LCHC026	GS26CLX	G	H	BG6	1150	0.63	1	300	2.4	7	340	430	480	1/2"	3/8"	45	39
LBP		114X1781	114X1783	OP-LCHC034	GS34CLX	G	H	BG7	990	0.84	1	300	2.4	7	340	430	480	1/2"	3/8"	48	42
LBP		114x1221		OP-LCQC004	MLY45LAB	G	Q	BG2	231	0.25	1	200	0.8	9	226	302	513	3/8"	1/4"	19	17
LBP		114X1337		OP-LCQC006	MLY60LAB	G	Q	BG3	518	0.31	1	230	1.1	9	256	318	513	3/8"	1/4"	20	18
LBP		114X1341		OP-LCQC008	MLY80LAB	G	Q	BG3	518	0.31	1	230	1.1	9	256	318	513	3/8"	1/4"	20	18
LBP		114X1569		OP-LCQC012	MLY12LAB	G	Q	BG4	631	0.4	1	254	1.1	9	296	328	513	3/8"	1/4"	25	22
LBP		114X1449		OP-LCQC012	MPT12LA	G	Q	BG4	631	0.4	1	254	1.1	9	296	331	513	3/8"	1/4"	26	23
LBP		114X1573		OP-LCQC014	MPT14LA	G	Q	BG4	631	0.4	1	254	1.1	9	296	322	513	1/2"	1/4"	26	23
LBP		114X1577		OP-LCQC016	MPT16LA	G	Q	BG4	631	0.4	1	254	1.1	9	296	323	513	1/2"	1/4"	26	23
MBP	114X2208	114X2209	114X2211	OP-MCHC004	TL4DLX	G	H	BG2	231	0.25	1	200	0.8	1	226	304	446	3/8"	1/4"	19	17
MBP	114X2316	114X2317	114X2319	OP-MCHC006	FR6DLX	G	H	BG3	518	0.31	1	230	1.1	2	256	321	458	3/8"	1/4"	20	18
MBP	114X2424	114X2425	114X2427	OP-MCHC007	NF7MLX	G	H	BG4	631	0.4	1	254	1.1	3	296	331	478	3/8"	1/4"	25	22
MBP	114X2532	114X2533	114X2535	OP-MCHC010	SC10MLX	A	H	BG4	631	0.4	1	254	1.1	4	296	331	487	3/8"	1/4"	26	23
MBP	114X2540	114X2541	114X2543	OP-MCHC012	SC12MLX	G	H	BG4	631	0.4	1	254	1.1	4	296	331	487	3/8"	1/4"	26	23
MBP		114X2649	114X2651	OP-MCHC015	SC15MLX	G	H	BG6	1132	1.1	1	300	1.1	4	350	442	610	1/2"	1/4"	48	42
MBP	114X2756	114X2757	114X2759	OP-MCHC018	SC18MLX	G	H	BG7	827	1.8	1	300	1.1	4	350	442	610	1/2"	1/4"	50	44
MBP		114X2765	114X2767	OP-MCHC021	GS21MLX	G	H	BG7	990	0.84	1	300	1.6	7	340	430	480	5/8"	3/8"	48	42
MBP		114X2773		OP-MCHC026	GS26MLX	G	H	BG7	990	0.84	1	300	1.6	7	340	430	480	5/8"	3/8"	48	42
MBP		114X2881	114X2883	OP-MCHC034	GS34MLX	G	H	BG8	2300	1.36	1	350	2.4	8	450	500	600	5/8"	3/8"	51	44
MBP	114X0104	114X0105	114X0107	OP-UCGC003	TL3GX	G	G	BG1	243	0.13	1	172	0.8	1	205	289	424	1/4"	1/4"	16	14
MBP	114X0108	114X0109	114X0111	OP-UCGC004	TL4GX	G	G	BG1	243	0.13	1	172	0.8	1	205	289	424	1/4"	1/4"	16	14
MBP	114X0112	114X0113	114X0115	OP-UCGC005	TL5GX	G	G	BG1	243	0.13	1	172	0.8	1	205	289	424	1/4"	1/4"	16	14
MBP	114X0200	114X0201	114X0203	OP-UCGC006	FR6GX	G	G	BG2	231	0.25	1	200	0.8	2	226	312	446	3/8"	1/4"	19	17
MBP	114X0228			OP-MCGC006	NL6.1MF	A	G	BG2	231	0.25	1	200	0.8	3	226	304	432	3/8"	1/4"	19*	17*
MBP	114X0216	114X0217		OP-UCGC007	FR7.5GX	G	G	BG2	231	0.25	1	200	0.8	2	226	312	446	3/8"	1/4"	19	17
MBP	114X0224	114X0225	114X0227	OP-UCGC008	FR8.5GX	G	G	BG2	231	0.25	1	200	0.8	2	226	312	446	3/8"	1/4"	19	17
MBP	114X0244			OP-MCGC007	NL7.3MF	A	G	BG2	231	0.25	1	200	0.8	3	226	304	432	3/8"	1/4"	19	17
MBP	114X0232	114X0233		OP-UCGC010	FR10GX	G	G	BG2	231	0.25	1	200	0.8	2	226	312	446	3/8"	1/4"	19	17
MBP	114X0352			OP-MCGC008	NL8.4MF	A	G	BG3	518	0.31	1	230	-	3	256	310	444	3/8"	1/4"	20*	18*
MBP			114X0223	OP-UCGC010	SC10GX	G	G	BG2	231	0.25	1	200	0.8	4	226	304	446	3/8"	1/4"	21**	19**
MBP	114X0336	114X0337	114X0339	OP-UCGC011	FR11GX	G	G	BG3	518	0.31	1	230	1.1	2	256	321	458	3/8"	1/4"	20	18
MBP	114X0340	114X0341	114X0343	OP-UCGC012	SC12GX	G	G	BG3	518	0.31	1	230	1.1	4	256	321	458	3/8"	1/4"	22	20
MBP	114X0448	114X0449	114X0451	OP-UCGC015	SC15GX	G	G	BG4	631	0.4	1	254	1.1	4	296	331	465	3/8"	1/4"	25	22
MBP	114X0556	114X0557	114X0559	OP-UCGC018	SC18GX	G	G	BG4	631	0.4	1	254	1.1	4	296	331	487	3/8"	1/4"	26	23
MBP	114X0564	114X0565	114X0567	OP-UCGC021	SC21GX	G	G	BG4	631	0.4	1	254	1.1	4	296	331	513	3/8"	1/4"	26	23
MBP	114X0568			OP-MCGC021	SC21MF	G	G	BG4	631	0.4	1	254	1.1	4	296	331	473	3/8"	1/4"	26*	23*
MBP		114X0773		OP-UCGC026	GS26MFX	G	G	BG7	990	0.84	1	300	2.4	7	340	430	480	3/8"	1/4"	39	33
MBP		114X0781		OP-UCGC034	GS34MFX	G	G	BG7	990	0.84	1	300	2.4	7	340	430	480	1/2"	3/8"	40	34

(1) G - Compressor 230V/1~/50Hz, fan 230V/1~/50Hz
 E - Compressor 400V/3~/50Hz, fan 230V/1~/50Hz
 (2) Z - R404A, R134a, R507, R407C, R407A, R407F
 H - R404A, R507
 G - R134a
 Q - R452A, R404A, R507

*weight referred to version A00
 **weight referred to version A04

Application	Code number			Model number	Compressor model	Electrical code (1)	Refrigerant (2)	Condenser coil			Fan		Receiver	Dimensions						Weight	
								Type	Airflow	Internal volume	Number	Blade ø	Volume	Figure	Height	Width	Depth	Suction line	Liquid line	Gross	Net
		(m ³ /h)	(dm ³)						(mm)	(L)		mm	mm	mm	inch	inch	Kg	Kg			
LBP	114X5044	114X5037		OP-LCQC048	NTZ048	G/E	Q	A4	1200	0.72	1	300	3	5	410	500	600	5/8"	3/8"	57	52
LBP	114X5045	114X5038		OP-LCQC068	NTZ068	G/E	Q	C4	2150	1.38	1	350	6	5	555	630	650	5/8"	1/2"	67	58
LBP	114X5039			OP-LCQC096	NTZ096	E	Q	D4	2000	1.79	1	350	6	5	555	630	650	7/8"	1/2"	80	71
LBP	114X5089			OP-LGQC048	NTZ048	E	Q	C3	1.3	1.02	2	254	3	6	402	700	500	5/8"	3/8"	57	49
LBP	114X5090			OP-LGQC068	NTZ068	E	Q	D3	2800	0.94	2	300	6	6	452	800	600	5/8"	1/2"	66	56
LBP	114X5091			OP-LGQC096	NTZ096	E	Q	E3	2600	1.41	2	300	6	6	452	800	600	7/8"	1/2"	92	82
LBP	114X5092			OP-LGQC108	NTZ108	E	Q	H3	4600	2.94	2	350	8	6	555	1000	700	7/8"	1/2"	97	84
LBP	114X5093			OP-LGQC136	NTZ136	E	Q	H3	3600	2.94	2	350	8	6	555	1000	700	7/8"	1/2"	110	97
MBP	114X5024	114X5012		OP-MCZC030	MTZ018	G/E	Z	A4	1200	0.72	1	300	3	5	410	500	600	1/2"	3/8"	66	60
MBP	114X5025	114X5013		OP-MCZC038	MTZ022	G/E	Z	B4	1750	0.82	1	350	3	5	442	500	600	1/2"	3/8"	69	63
MBP	114X5026	114X5014		OP-MCZC048	MTZ028	G/E	Z	C4	2150	1.38	1	350	6	5	555	630	650	1/2"	1/2"	67	57
MBP	114X5027	114X5015		OP-MCZC054	MTZ032	G/E	Z	C4	2150	1.38	1	350	6	5	555	630	650	5/8"	1/2"	80	71
MBP	114X5028	114X5016		OP-MCZC060	MTZ036	G/E	Z	D4	2000	1.79	1	350	6	5	545	630	650	5/8"	1/2"	71	62
MBP	114X5018			OP-MCZC086	MTZ050	E	Z	F4	3300	1.83	1	400	8	5	656	755	700	7/8"	1/2"	91	80
MBP	114X5019			OP-MCZC096	MTZ056	E	Z	G4	3150	2.45	1	400	8	5	656	755	700	7/8"	1/2"	117	106
MBP	114X5020			OP-MCZC108	MTZ064	E	Z	H4	4300	2.29	1	500	8	5	656	755	700	7/8"	1/2"	105	94
MBP	114X5022			OP-MCZC136	MTZ080	E	Z	L4	6200	3.66	1	500	10	5	745	900	900	11/8"	1/2"	128	114
MBP	114X5023			OP-MCZC171	MTZ100	E	Z	L4	5850	3.66	1	500	14	5	759	900	900	11/8"	5/8"	154	140
MBP	114X5073			OP-MGZC215	MTZ125	E	Z	M4	11000	4.22	2	500	14	6	759	1350	820	11/8"	5/8"	188	171
MBP	114X5075			OP-MGZC271	MTZ160	E	Z	N4	9200	7.03	2	500	14	6	745	1350	820	11/8"	5/8"	197	180
MBP	114X5061			OP-MGZD030	MTZ018	E	Z	C3	1300	1.02	2	254	3	6	402	700	500	1/2"	3/8"	56	48
MBP	114X5062			OP-MGZD038	MTZ022	E	Z	D3	2800	0.94	2	300	6	6	452	800	600	1/2"	1/2"	65	55
MBP	114X5063			OP-MGZD048	MTZ028	E	Z	E3	2600	1.41	2	300	6	6	452	800	600	1/2"	1/2"	68	57
MBP	114X5064			OP-MGZD054	MTZ032	E	Z	E3	2600	1.41	2	300	6	6	452	800	600	5/8"	1/2"	69	59
MBP	114X5065			OP-MGZD060	MTZ036	E	Z	G3	4600	1.47	2	350	8	6	555	1000	700	5/8"	1/2"	74	61
MBP	114X5066			OP-MGZD068	MTZ040	E	Z	H3	3600	2.94	2	350	8	6	555	1000	700	5/8"	1/2"	80	67
MBP	114X5067			OP-MGZD086	MTZ050	E	Z	H3	3600	2.94	2	350	8	6	555	1000	700	7/8"	1/2"	107	94
MBP	114X5069			OP-MGZD108	MTZ064	E	Z	J3	5400	2.94	2	400	10	6	555	1000	700	7/8"	1/2"	111	98
MBP	114X5070			OP-MGZD121	MTZ072	E	Z	J3	5400	2.94	2	400	10	6	555	1000	700	7/8"	1/2"	111	98
MBP	114X5071			OP-MGHD136	MTZ080	E	H	L3	8600	3.19	2	450	10	6	656	1200	800	11/8"	1/2"	143	128
MBP	114X5072			OP-MGZD171	MTZ100	E	Z	M3	8200	4.26	2	450	14	6	656	1200	800	11/8"	5/8"	157	142
MBP	114X5118			OP-MGZD215	MTZ125	E	Z	N4	9200	7.03	2	500	14	6	745	1350	820	11/8"	5/8"	190	173
MBP	114X5119			OP-MGZD242	MTZ144	E	Z	N4	9200	7.03	2	500	14	6	745	1350	820	11/8"	5/8"	171	154
MBP	114X5120			OP-MGZD271	MTZ160	E	Z	V	14000	8.07	2	630	14	6	959	1500	870	11/8"	5/8"	177	157

(1) **G** - Compressor 230V/1~/50Hz, fan 230V/1~/50Hz

E - Compressor 400V/3~/50Hz, fan 230V/1~/50Hz

(2) **Z** - R404A, R134a, R507, R407C, R407A, R407F

H - R404A, R507

G - R134a

Q - R452A, R404A, R507

Fractional units	OP-LCHC004	OP-LCHC006	OP-LCHC008	OP-LCHC007	OP-LCHC008	OP-LCHC010	OP-LCHC012
Compressor	TL4CLX	FR6CLX	FR8.5CLX	NL7CLX	NL8.4CLX	SC10CLX	SC12CLX
Refrigerant (1)	H	H	H	H	H	H	H
Electrical (2)	G	G	G	G	G	G	G
A00	114X1208	114X1216	114X1324	114X1328	114X1304	114X1332	114X1440
A01	114X1209	114X1217	114X1325	114X1329	-	114X1333	114X1441
A04	114X1211	114X1219	114X1327	114X1331	-	114X1335	114X1443
Condenser coil type	BG2	BG2	BG3	BG3	BG3	BG3	BG4
Spare parts							
Condenser	118U0029	118U0029	118U0030	118U0030	118U0030	118U0030	118U0031
Receiver	118U0517	118U0517	118U0523	118U0523	-	118U0523	118U0523
Motor fan	118U0032	118U0032	118U0033	118U0033	118U0033	118U0033	118U0034
Fan guard	118U0042	118U0042	118U0043	118U0043	118U0043	118U0043	118U0044
Fan	118U0037	118U0037	118U0038	118U0038	118U0038	118U0038	118U0039
Weatherproof housing	118U4620	118U4620	118U4620	118U4620	118U4620	118U4620	118U4620
Filter drier	DML/DCL032	DML/DCL032	DML/DCL032	DML/DCL032	DML/DCL032	DML/DCL032	DML/DCL032
Sight glass	SGN 6	SGN 6	SGN 6	SGN 6	SGN 6	SGN 6	SGN 6
Pressure control type	KP1/KP7/KP17	KP1/KP7/KP17	KP1/KP7/KP17	KP1/KP7/KP17	KP1/KP7/KP17	KP1/KP7/KP17	KP1/KP7/KP17
Solenoid valve type (excl coil)	EVR 2	EVR 2	EVR 2	EVR 2	EVR 2	EVR 2	EVR 3
Electrical characteristics							
LRA Compressor (A)	5.7	8.2	10	10.4	13.7	14.8	14.8
MCC Fan (A)	0.19	0.19	0.25	0.25	0.25	0.39	0.39

Fractional units	OP-LCHC012	OP-LCHC015	OP-LCHC018	OP-LCHC021	OP-LCHC026	OP-LCHC034	OP-LCQC004
Compressor	SC12CLX.2	SC15CLX	SC18CLX	SC21CLX	GS26CLX	GS34CLX	MLY45Lab
Refrigerant (1)	H	H	H	H	H	H	Q
Electrical (2)	G	G	G	G	G	G	G
A00	114X1444	114X1548	114X1556	114X1564	-	-	-
A01	-	114X1549	114X1557	114X1565	114X1673	114X1781	114x1221
A04	-	114X1551	114X1559	114X1567	-	114X1783	-
Condenser coil type	BG4	BG4	BG4	BG4	BG6	BG7	BG2
Spare parts							
Condenser	118U0031	118U0031	118U0031	118U0031	118U0054	118U0069	118U0029
Receiver	-	118U0523	118U0523	118U0523	-	-	118U0517
Motor fan	118U0034	118U0034	118U0034	118U0034	118U0058	118U0058	118U0032
Fan guard	118U0044	118U0044	118U0044	118U0044	-	-	118U0042
Fan	118U0039	118U0039	118U0039	118U0039	118U0040	118U0040	118U0037
Weatherproof housing	118U4620	118U4620	118U4620	118U4620	118U4621	118U4621	-
Filter drier	DML/DCL032	DML/DCL032	DML/DCL032	DML/DCL032	DML/DCL032	DML/DCL032	DML/DCL032
Sight glass	SGN 6	SGN 6	SGN 6	SGN 6	SGN 10	SGN 10	SGN 6
Pressure control type	KP1/KP7/KP17	KP1/KP7/KP17	KP1/KP7/KP17	KP1/KP7/KP17	KP1/KP7/KP17	KP1/KP7/KP17	KP1/KP7/KP17
Solenoid valve type (excl coil)	EVR 3	EVR 3	EVR 3	EVR 3	EVR 3	EVR 3	EVR 2
Electrical characteristics							
LRA Compressor (A)	19.6	18.6	20	23.4	25.7	40	8.1
MCC Fan (A)	0.39	0.39	0.39	0.39	0.75	0.75	0.19

MCC - Max Continuous Current
LRA - Locked Rotor Amps

(1) Z - R404A, R134a, R507, R407C, R407A, R407F

H - R404A, R507

G - R134a

Q - R452A, R404A, R507

(2) G - Compressor 230V/1~/50Hz, fan 230V/1~/50Hz

E - Compressor 400V/3~/50Hz, fan 230V/1~/50Hz

Fractional units	OP-LCQC006	OP-LCQC008	OP-LCQC012	OP-LCQC012	OP-LCQC014	OP-LCQC016
Compressor	MLY60Lab	MLY80Lab	MLY12Lab	MPT12LA	MPT14LA	MPT16LA
Refrigerant (1)	Q	Q	Q	Q	Q	Q
Electrical (2)	G	G	G	G	G	G
A00	-	-	-	-	-	-
A01	114X1337	114X1341	114X1569	114X1449	114X1573	114X1577
A04	-	-	-	-	-	-
Condenser coil type	BG3	BG3	BG4	BG4	BG4	BG4
Spare parts						
Condenser	118U0030	118U0030	118U0031	118U0031	118U0031	118U0031
Receiver	118U0523	118U0523	118U0523	118U0523	118U0523	118U0523
Motor fan	118U0033	118U0033	118U0034	118U0034	118U0034	118U0034
Fan guard	118U0043	118U0043	118U0044	118U0044	118U0044	118U0044
Fan	118U0038	118U0038	118U0039	118U0039	118U0039	118U0039
Weatherproof housing	-	-	-	-	-	-
Filter drier	DML/DCL032	DML/DCL032	DML/DCL032	DML/DCL032	DML/DCL032	DML/DCL032
Sight glass	SGN 6	SGN 6	SGN 6	SGN 6	SGN 6	SGN 6
Pressure control type	KP1/KP7/KP17	KP1/KP7/KP17	KP1/KP7/KP17	KP1/KP7/KP17	KP1/KP7/KP17	KP1/KP7/KP17
Solenoid valve type (excl coil)	EVR 2	EVR 2	EVR 3	EVR 3	EVR 3	EVR 3
Electrical characteristics						
LRA Compressor (A)	10	14	20	13.9	16	19
MCC Fan (A)	0.25	0.25	0.39	0.39	0.39	0.39

(1) **Z** - R404A, R134a, R507, R407C, R407A, R407F

H - R404A, R507

G - R134a

Q - R452A, R404A, R507

(2) **G** - Compressor 230V/1~/50Hz, fan 230V/1~/50Hz

E - Compressor 400V/3~/50Hz, fan 230V/1~/50Hz

Fractional units	OP-MCHC004	OP-MCHC006	OP-MCHC007	OP-MCHC010	OP-MCHC012	OP-MCHC015	OP-MCHC018	OP-MCHC021	OP-MCHC026
Compressor	TL4DLX	FR6DLX	NF7MLX	SC10MLX	SC12MLX	SC15MLX	SC18MLX	GS21MLX	GS26MLX
Refrigerant (1)	H	H	H	H	H	H	H	H	H
Electrical (2)	G	G	G	A	G	G	G	G	G
A00	114X2208	114X2316	114X2424	114X2532	114X2540	-	-	-	-
A01	114X2209	114X2317	114X2425	114X2533	114X2541	114X2649	114X2757	114X2765	114X2773
A04	114X2211	114X2319	114X2427	114X2535	114X2543	114X2651	114X2759	114X2767	-
Condenser coil type	BG2	BG3	BG4	BG4	BG4	BG6	BG7	BG7	BG7
Spare parts									
Condenser	118U0029	118U0030	118U0031	118U0031	118U0031	118U0068	118U0069	118U0069	118U0069
Receiver	118U0517	118U0523	118U0523	118U0523	118U0523	118U0523	118U0523	-	-
Motor fan	118U0032	118U0033	118U0034	118U0034	118U0034	118U0035	118U0035	118U0058	118U0058
Fan guard	118U0042	118U0043	118U0044	118U0044	118U0044	118U0066	118U0067	-	-
Fan	118U0037	118U0038	118U0039	118U0039	118U0039	118U0040	118U0040	118U0040	118U0040
Weatherproof housing	118U4620	118U4620	118U4620	118U4620	118U4620	118U4620	118U4620	118U4620	118U4621
Filter drier	DML/DCL052	DML/DCL052	DML/DCL052	DML/DCL052	DML/DCL052	DML/DCL052	DML/DCL052	DML/DCL052	DML/DCL052
Sight glass	SGN 6	SGN 6	SGN 6	SGN 6	SGN 6	SGN 6	SGN 6	SGN 6	SGN10
Pressure control type	KP1/KP7/KP17	KP1/KP7/KP17	KP1/KP7/KP17	KP1/KP7/KP17	KP1/KP7/KP17	KP1/KP7/KP17	KP1/KP7/KP17	KP1/KP7/KP17	KP1/KP7/KP17
Solenoid valve type (excl coil)	EVR 2	EVR 2	EVR 2	EVR 2	EVR 3	EVR 3	EVR 3	EVR 3	EVR 3
Electrical characteristics									
LRA Compressor (A)	7.5	10	20	18.4	23.4	23.5	23.4	24.4	34.6
MCC Fan (A)	0.19	0.25	0.39	0.39	0.39	0.48	0.48	0.75	0.75

Fractional units	OP-MCHC034	OP-UCGC003	OP-UCGC004	OP-UCGC005	OP-UCGC006	OP-MCGC006	OP-UCGC007	OP-UCGC008	OP-MCGC007
Compressor	GS34MLX	TL3GX	TL4GX	TL5GX	FR6GX	NL6.1MF	FR7.5GX	FR8.5GX	NL7.3MF
Refrigerant (1)	H	G	G	G	G	G	G	G	G
Electrical (2)	G	G	G	G	G	A	G	G	A
A00	-	114X0104	114X0108	114X0112	114X0200	114X0228	114X0216	114X0224	114X0244
A01	114X2881	114X0105	114X0109	114X0113	114X0201	-	114X0217	114X0225	-
A04	114X2883	114X0107	114X0111	114X0115	114X0203	-	-	114X0227	-
Condenser coil type	BG8	BG1	BG1	BG1	BG2	BG2	BG2	BG2	BG2
Spare parts									
Condenser	118U0070	118U0028	118U0028	118U0028	118U0029	118U0029	118U0029	118U0029	118U0029
Receiver	-	118U0517	118U0517	118U0517	118U0517	-	118U0517	118U0517	-
Motor fan	118U0059	118U0032	118U0032	118U0032	118U0032	118U0032	118U0032	118U0032	118U0032
Fan guard	-	118U0041	118U0041	118U0041	118U0042	118U0042	118U0042	-	118U0042
Fan	-	118U0036	118U0036	118U0036	118U0037	118U0037	118U0037	-	118U0037
Weatherproof housing	118U4621	118U4620	118U4620	118U4620	118U4620	118U4620	118U4620	118U4620	118U4620
Filter drier	DML/DCL052	DML/DCL032	DML/DCL032	DML/DCL032	DML/DCL032	DML/DCL032	DML/DCL032	DML/DCL032	DML/DCL032
Sight glass	SGN10	SGN6	SGN6	SGN6	SGN6	SGN6	SGN6	SGN6	SGN6
Pressure control type	KP1/KP7/KP17	KP1/KP5/KP17	KP1/KP5/KP17	KP1/KP5/KP17	KP1/KP5/KP17	KP1/KP5/KP17	KP1/KP5/KP17	KP1/KP5/KP17	KP1/KP5/KP17
Solenoid valve type (excl coil)	EVR 3	EVR2	EVR2	EVR2	EVR2	EVR2	EVR2	EVR2	EVR2
Electrical characteristics									
LRA Compressor (A)	45.7	4.9	5.1	5.7	7.5	9.2	8.1	8.2	11.3
MCC Fan (A)	0.62	0.19	0.19	0.19	0.19	0.19	0.19	0.19	0.19

MCC - Max Continuous Current
LRA - Locked Rotor Amps

(1) Z - R404A, R134a, R507, R407C, R407A, R407F

H - R404A, R507

G - R134a

Q - R452A, R404A, R507

(2) G - Compressor 230V/1~/50Hz, fan 230V/1~/50Hz

E - Compressor 400V/3~/50Hz, fan 230V/1~/50Hz

Fractional units	OP-UCGC010	OP-MCGC008	OP-UCGC010	OP-UCGC011	OP-UCGC012	OP-UCGC015
Compressor	FR10GX	NL8.4MF	SC10GX	FR11GX	SC12GX	SC15GX
Refrigerant (1)	G	G	G	G	G	G
Electrical (2)	G	A	G	G	G	G
A00	114X0232	114X0352	-	114X0336	114X0340	114X0448
A01	114X0233	-	-	114X0337	114X0341	114X0449
A04	-	-	114X0223	114X0339	114X0343	114X0451
Condenser coil type	BG2	BG2	BG2	BG3	BG3	BG4
Spare parts						
Condenser	118U0029	118U0030	118U0029	118U0030	118U0030	118U0031
Receiver	118U0517	-	118U0517	118U0523	118U0523	118U0523
Motor fan	118U0032	118U0033	118U0032	118U0033	118U0033	118U0034
Fan guard	118U0042	118U0043	-	118U0043	-	-
Fan	118U0037	118U0038	-	118U0038	-	-
Weatherproof housing	118U4620	118U4620	118U4620	118U4620	118U4620	118U4620
Filter drier	DML/DCL032	DML/DCL032	DML/DCL032	DML/DCL032	DML/DCL052	DML/DCL052
Sight glass	SGN6	SGN6	SGN6	SGN6	SGN6	SGN6
Pressure control type	KP1/KP5/KP17	KP1/KP5/KP17	KP1/KP5/KP17	KP1/KP5/KP17	KP1/KP5/KP17	KP1/KP5/KP17
Solenoid valve type (excl coil)	EVR2	EVR2	EVR2	EVR2	EVR3	EVR3
Electrical characteristics						
LRA Compressor (A)	10	11.7	11.1	10	12.6	14.8
MCC Fan (A)	0.19	0.19	0.19	0.25	0.25	0.39

Fractional units	OP-UCGC018	OP-UCGC021	OP-MCGC021	OP-UCGC026	OP-UCGC034
Compressor	SC18GX	SC21GX	SC21MF	GS26MFX	GS34MFX
Refrigerant (1)	G	G	G	G	G
Electrical (2)	G	G	G	G	G
A00	114X0556	114X0564	114X0568	-	-
A01	114X0557	114X0565	-	114X0773	114X0781
A04	114X0559	114X0567	-	-	-
Condenser coil type	BG4	BG4	BG4	BG7	BG7
Spare parts					
Condenser	118U0031	118U0031	118U0031	118U0069	118U0069
Receiver	118U0523	118U0523	-	-	-
Motor fan	118U0034	118U0034	118U0034	118U0058	118U0058
Fan guard	-	118U0044	118U0044	-	-
Fan	-	118U0039	118U0039	118U0040	118U0040
Weatherproof housing	118U4620	118U4620	118U4620	118U4620	118U4620
Filter drier	DML/DCL052	DML/DCL052	DML/DCL052	DML/DCL052	DML/DCL052
Sight glass	SGN6	SGN6	SGN6	SGN6	SGN6
Pressure control type	KP1/KP5/KP17	KP1/KP5/KP17	KP1/KP5/KP17	KP1/KP5/KP17	KP1/KP5/KP17
Solenoid valve type (excl coil)	EVR3	EVR3	EVR3	EVR3	EVR3
Electrical characteristics					
LRA compressor (A)	18.6	21.8	23.6	20.2	25.7
MCC Fan (A)	0.39	0.39	0.39	0.75	0.75

MCC - Max Continuous Current

LRA - Locked Rotor Amps

(1) Z - R404A, R134a, R507, R407C, R407A, R407F

H - R404A, R507

G - R134a

Q - R452A, R404A, R507

(2) G - Compressor 230V/1~/50Hz, fan 230V/1~/50Hz

E - Compressor 400V/3~/50Hz, fan 230V/1~/50Hz

Integral units	OP-LCQC048	OP-LCQC068	OP-LCQC096	OP-LGQC048	OP-LGQC068
Compressor	NTZ048	NTZ068	NTZ096	NTZ048	NTZ068
Compressor code	120F0228	120F0232	120F0234	120F0226	120F0230
Refrigerant (1)	Q	Q	Q	Q	Q
Oil	175PZ-POE	175PZ-POE	175PZ-POE	175PZ-POE	175PZ-POE
Electrical (2)	G	G	E	E	E
A02	114X5044	114X5045	114X5039	114X5089	114X5090
Condenser coil type	A4	C4	D4	C3	D3
Spare parts					
Condenser	118U8000	118U8003	118U8003	8174036	8174038
Receiver code	8168179	8168180	8168180	8168179	8168180
Rotalock valve suction	7968014	7968014	7968017	7968014	7968014
Rotalock valve discharge	7968012	7968013	7968014	7968012	7968013
Fan motor assembly	8176043	8176045	8176045	8176018	8176043
Filter drier type	DML/DCL053	DML/DCL084	DML/DCL084	DML/DCL053	DML/DCL084
Sight glass type	SGN 10	SGN 12	SGN 12	SGN 10	SGN 12
Pressure control type	KP1/KP7/KP17	KP1/KP7/KP17	KP1/KP7/KP17	KP1/KP7/KP17	KP1/KP7/KP17
Solenoid valve type (excl coil)	EVR 3	EVR 3	EVR 3	EVR 3	EVR 3
Crankcase heater	120Z0459	120Z0459	120Z0459	120Z0459	120Z0459
Electrical characteristics					
Wiring diagram	6002113P02	6002113P02	6002113P06	6002113P06	6002113P06
LRA Compressor (A)	37	53	32	16	25
MCC Compressor (A)	11	17	10.1	4.8	8.4
MCC Fan (A)	0.32	0.73	0.73	2 X 0.32	2 X 0.32

Integral units	OP-LGQC096	OP-LGQC108	OP-LGQC136	OP-LCQC048	OP-LCQC068
Compressor	NTZ096	NTZ108	NTZ136	NTZ048	NTZ068
Compressor code	120F0234	120F0238	120F0236	120F0226	120F0230
Refrigerant (1)	Q	Q	Q	Q	Q
Oil	175PZ-POE	175PZ-POE	175PZ-POE	175PZ-POE	175PZ-POE
Electrical (2)	E	E	E	E	E
A02	114X5091	114X5092	114X5093	114X5037	114X5038
Condenser coil type	E3	H3	H3	A4	C4
Spare parts					
Condenser	8174038	8174041	8174041	118U8000	118U8003
Receiver code	8168180	8168181	8168181	8168179	8168180
Rotalock valve suction	7968017	7968017	7968017	7968014	7968014
Rotalock valve discharge	7968014	7968014	7968014	7968012	7968013
Fan motor assembly	8176043	8176045	8176045	8176043	8176045
Filter drier type	DML/DCL084	DML/DCL084	DML/DCL084	DML/DCL053	DML/DCL084
Sight glass type	SGN 12	SGN 12	SGN 12	SGN 10	SGN 12
Pressure control type	KP1/KP7/KP17	KP1/KP7/KP17	KP1/KP7/KP17	KP1/KP7/KP17	KP1/KP7/KP17
Solenoid valve type (excl coil)	EVR 3	EVR 3	EVR 6	EVR 3	EVR 3
Crankcase heater	120Z0459	120Z0459	120Z0459	120Z0459	120Z0459
Electrical Characteristics					
Wiring diagram	6002113P06	6002113P06	6002113P06	6002113P06	6002113P06
LRA Compressor (A)	32	45	51	16	25
MCC Compressor (A)	10.1	12.1	14.3	4.8	8.4
MCC Fan (A)	2 X 0.32	2 X 0.73	2 X 0.73	0.32	0.73

MCC - Max Continuous Current
LRA - Locked Rotor Amps

(1) Z - R404A, R134a, R507, R407C, R407A, R407F

H - R404A, R507

G - R134a

Q - R452A, R404A, R507

(2) G - Compressor 230V/1~/50Hz, fan 230V/1~/50Hz

E - Compressor 400V/3~/50Hz, fan 230V/1~/50Hz

Integral units	OP-MCZC030	OP-MCZC038	OP-MCZC048	OP-MCZC054	OP-MCZC060	OP-MCZC086	OP-MCZC096	OP-MCZC108	OP-MCZC136
Compressor	MTZ018	MTZ022	MTZ028	MTZ032	MTZ036	MTZ050	MTZ056	MTZ064	MTZ080
Compressor code	MTZ18-5VI	MTZ22-5VI	MTZ28-5VI	MTZ32-5VI	MTZ36-5VI	MTZ50-4VI	MTZ56-4VI	MTZ64-4VI	MTZ80-4VI
Refrigerant (1)	Z	Z	Z	Z	Z	Z	Z	Z	Z
Oil	160PZ - POE	160PZ - POE	160PZ - POE	160PZ - POE	160PZ - POE	160PZ - POE	160PZ - POE	160PZ - POE	160PZ - POE
Electrical (2)	G	G	G	G	G	E	E	E	E
A02	114X5024	114X5025	114X5026	114X5027	114X5028	114X5018	114X5019	114X5020	114X5022
Condenser coil type	A4	B4	C4	C4	D4	F4	G4	H4	L4
Spare parts									
Condenser	118U8000	118U8001	118U8003	118U8003	118U8003	118U8005	118U8006	118U8007	118U8010
Receiver code	8168179	8168179	8168180	8168180	8168180	8168181	8168181	8168181	8168182
Rotalock valve suction	7968013	7968013	7968013	7968014	7968014	7968017	7968017	7968017	7968018
Rotalock valve discharge	7968012	7968012	7968013	7968013	7968013	7968014	7968014	7968014	7968015
Fan motor assembly	8176043	8176045	8176045	8176045	8176045	8176047	8176047	118U8023	118U8023
Filter drier type	DML/DCL053	DML/DCL053	DML/DCL084	DML/DCL084	DML/DCL084	DML/DCL084	DML/DCL084	DML/DCL084	DML/DCL084
Sight glass type	SGN 10	SGN 10	SGN 12	SGN 12	SGN 12	SGN 12	SGN 12	SGN 12	SGN 12
Pressure control type	KP1/KP7/KP17	KP1/KP7/KP17	KP1/KP7/KP17	KP1/KP7/KP17	KP1/KP7/KP17	KP1/KP7/KP17	KP1/KP7/KP17	KP1/KP7/KP17	KP1/KP7/KP17
Solenoid valve type (excl coil)	EVR 3	EVR 3	EVR 3	EVR 3	EVR 3	EVR 3	EVR 3	EVR 3	EVR 3
Crankcase heater	120Z0459	120Z0459	120Z0459	120Z0459	120Z0459	120Z0459	120Z0459	120Z0459	120Z0459
Electrical Characteristics									
Wiring diagram	6002113P02	6002113P02	6002113P02	6002113P02	6002113P02	6002113P06	6002113P06	6002113P06	6002113P06
LRA Compressor (A)	40	41	51	70	60	48.5	64	64	80
MCC Compressor (A)	10	15	20	20	22	11.5	12	14	19
MCC Fan (A)	0.32	0.73	0.73	0.73	0.73	1.3	1.3	3.4	3.4

Integral units	OP-MGZC171	OP-MGZC215	OP-MGZC271	OP-MGZD030	OP-MGZD038	OP-MGZD048	OP-MGZD054	OP-MGZD060	OP-MGZD068
Compressor	MTZ100	MTZ125	MTZ160	MTZ018	MTZ022	MTZ028	MTZ032	MTZ036	MTZ040
Compressor code	MTZ100-4VI	MTZ125-4VI	MTZ160-4VI	MTZ18-4VI	MTZ22-4VI	MTZ28-4VI	MTZ32-4VI	MTZ36-4VI	MTZ40-4VI
Refrigerant (1)	Z	Z	Z	Z	Z	Z	Z	Z	Z
Oil	160PZ - POE	160PZ - POE	160PZ - POE	160PZ - POE	160PZ - POE	160PZ - POE	160PZ - POE	160PZ - POE	160PZ - POE
Electrical (2)	E	E	E	E	E	E	E	E	E
A02	114X5023	114X5073	114X5075	114X5061	114X5062	114X5063	114X5064	114X5065	114X5066
Condenser coil type	L4	M4	N4	C3	D3	E3	E3	G3	H3
Spare parts									
Condenser	118U8010	118U8012	118U8012	8174036	8174038	8174038	8174038	8174041	8174041
Receiver code	8168183	8168183	8168183	8168179	8168180	8168180	8168180	8168181	8168181
Rotalock valve suction	7968018	7968018	7968018	7968013	7968013	7968013	7968014	7968014	7968014
Rotalock valve discharge	7968015	7968016	7968016	7968012	7968013	7968013	7968013	7968013	7968013
Fan motor assembly	118U8023	118U8023	118U8023	8176018	8176043	8176043	8176043	8176045	8176045
Filter drier type	DML/DCL165	DML/DCL165	DML/DCL165	DML/DCL053	DML/DCL053	DML/DCL084	DML/DCL084	DML/DCL084	DML/DCL084
Sight glass type	SGN 16	SGN 16	SGN 16	SGN 10	SGN 10	SGN 12	SGN 12	SGN 12	SGN 12
Pressure control type	KP1/KP7/KP17	KP1/KP7/KP17	KP1/KP7/KP17	KP1/KP7/KP17	KP1/KP7/KP17	KP1/KP7/KP17	KP1/KP7/KP17	KP1/KP7/KP17	KP1/KP7/KP17
Solenoid valve type (excl coil)	EVR 6	EVR 6	EVR 6	EVR 3	EVR 3	EVR 3	EVR 3	EVR 3	EVR 3
Crankcase heater	120Z0459	120Z0459	120Z0459	120Z0459	120Z0459	120Z0459	120Z0459	120Z0459	120Z0459
Electrical Characteristics									
Wiring diagram	6002113P06	6002113P06	6002113P06	6002113P06	6002113P06	6002113P06	6002113P06	6002113P06	6002113P06
LRA Compressor (A)	90	105	130	20	16	23	25	30	38
MCC Compressor (A)	22	27	36	5	6	7.5	8	9	10
MCC Fan (A)	3.4	2 X 3.0	2 X 3.0	2 X 0.32	2 X 0.32	2 X 0.32	2 X 0.32	2 X 0.73	2 X 0.73

MCC - Max Continuous Current
LRA - Locked Rotor Amps

- (1) Z - R404A, R134a, R507, R407C, R407A, R407F
- H - R404A, R507
- G - R134a
- Q - R452A, R404A, R507

- (2) G - Compressor 230V/1~/50Hz, fan 230V/1~/50Hz
- E - Compressor 400V/3~/50Hz, fan 230V/1~/50Hz

Integral units	OP-MGZD086	OP-MGZD108	OP-MGZD121	OP-MGHD136	OP-MGZD171	OP-MGZD215	OP-MGZD242	OP-MGZD271
Compressor	MTZ050	MTZ064	MTZ072	MTZ080	MTZ100	MTZ125	MTZ144	MTZ160
Compressor code	MTZ50-4VI	MTZ64-4VI	MTZ72-4VI	MTZ80-4VI	MTZ100-4VI	MTZ125-4VI	MTZ144-4VI	MTZ160-4VI
Refrigerant (1)	Z	Z	Z	H	Z	Z	Z	Z
Oil	160PZ - POE	160PZ - POE	160PZ - POE	160PZ - POE	160PZ - POE	160PZ - POE	160PZ - POE	160PZ - POE
Electrical (2)	E	E	E	E	E	E	E	E
A02	114X5067	114X5069	114X5070	114X5071	114X5072	114X5118	114X5119	114X5120
Condenser coil type	H3	J3	J3	L3	M3	N4	N4	U3
Spare parts								
Condenser	8174041	8174042	8174042	8174044	8174045	118U8012	118U8012	8174048
Receiver code	8168181	8168182	8168182	8168182	8168183	8168183	8168183	8168183
Rotalock valve suction	7968017	7968017	7968017	7968018	7968018	7968018	7968018	7968018
Rotalock valve discharge	7968014	7968014	7968014	7968015	7968015	7968016	7968016	7968016
Fan motor assembly	8176045	8176047	8176047	8176070	8176070	118U8023	118U8023	118U0373
Filter drier type	DML/DCL084	DML/DCL084	DML/DCL084	DML/DCL084	DML/DCL165	DML/DCL165	DML/DCL165	DML/DCL165
Sight glass type	SGN 12	SGN 12	SGN 12	SGN 12	SGN 16	SGN 16	SGN 16	SGN 16
Pressure control type	KP1/KP7/KP17	KP1/KP7/KP17	KP1/KP7/KP17	KP1/KP7/KP17	KP1/KP7/KP17	KP1/KP7/KP17	KP1/KP7/KP17	KP1/KP7/KP17
Solenoid valve type (excl coil)	EVR 3	EVR 3	EVR 3	EVR 3	EVR 6	EVR 6	EVR 6	EVR 6
Crankcase heater	120Z0459	120Z0459	120Z0459	120Z0459	120Z0459	120Z0459	120Z0459	120Z0459
Electrical characteristics								
Wiring diagram	6002113P06	6002113P06	6002113P06	6002113P06	6002113P06	6002113P06	6002113P06	6002113P06
LRA Compressor (A)	48.5	64	80	80	90	105	130	130
MCC Compressor (A)	11.5	14	17	19	22	27	36	36
MCC Fan (A)	2 X 0.73	2 X 0.73	2 X 0.73	2 X 2.1	2 X 2.1	2 X 3.0	2 X 3.0	2 X 2.12

Integral units	OP-MCZC030	OP-MCZC038	OP-MCZC048	OP-MCZC054	OP-MCZC060
Compressor	MTZ018	MTZ022	MTZ028	MTZ032	MTZ036
Compressor code	MTZ18-4VI	MTZ22-4VI	MTZ28-4VI	MTZ32-4VI	MTZ36-4VI
Refrigerant (1)	Z	Z	Z	Z	Z
Oil	160PZ - POE	160PZ - POE	160PZ - POE	160PZ - POE	160PZ - POE
Electrical (2)	E	E	E	E	E
A02	114X5012	114X5013	114X5014	114X5015	114X5016
Condenser coil type	A4	B4	C4	C4	D4
Spare parts					
Condenser	118U8000	118U8001	118U8003	118U8003	118U8003
Receiver code	8168179	8168179	8168180	8168180	8168180
Rotalock valve suction	7968013	7968013	7968013	7968014	7968014
Rotalock valve discharge	7968012	7968012	7968013	7968013	7968013
Fan motor assembly	8176043	8176045	8176045	8176045	8176045
Filter drier type	DML/DCL053	DML/DCL053	DML/DCL084	DML/DCL084	DML/DCL084
Sight glass type	SGN 10	SGN 10	SGN 12	SGN 12	SGN 12
Pressure control type	KP1/KP7/KP17	KP1/KP7/KP17	KP1/KP7/KP17	KP1/KP7/KP17	KP1/KP7/KP17
Solenoid valve type (excl coil)	EVR 3	EVR 3	EVR 3	EVR 3	EVR 3
Crankcase heater	120Z0459	120Z0459	120Z0459	120Z0459	120Z0459
Electrical characteristics					
Wiring diagram	6002113P06	6002113P06	6002113P06	6002113P06	6002113P06
LRA Compressor (A)	20	16	23	25	30
MCC Compressor (A)	5	6	7.5	8	9
MCC Fan (A)	0.85	1.2	1.2	1.2	1.2

MCC - Max Continuous Current

LRA - Locked Rotor Amps

(1) Z - R404A, R134a, R507, R407C, R407A, R407F

H - R404A, R507

G - R134a

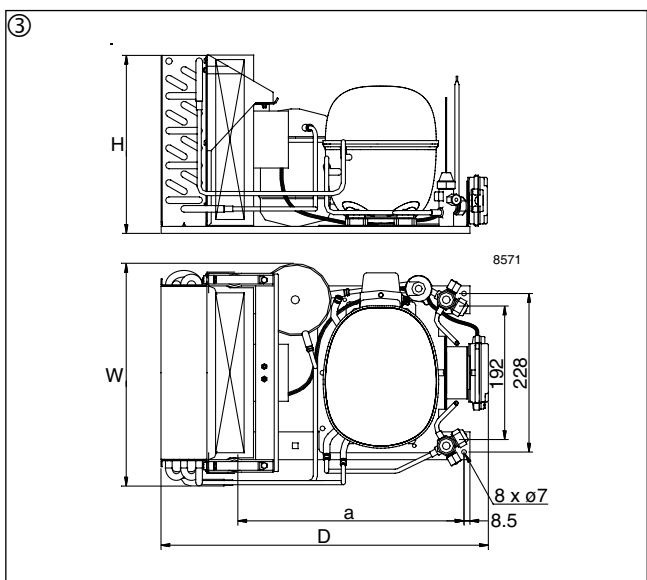
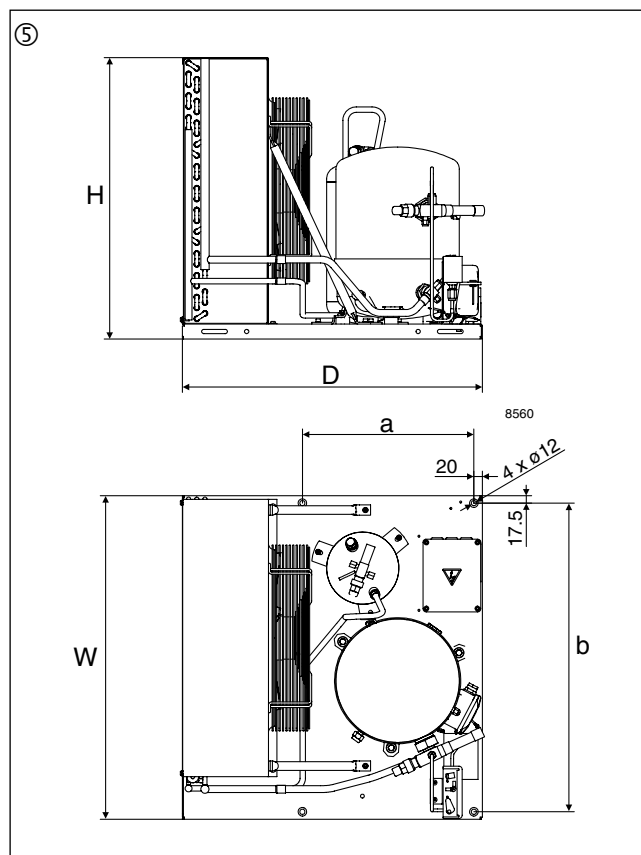
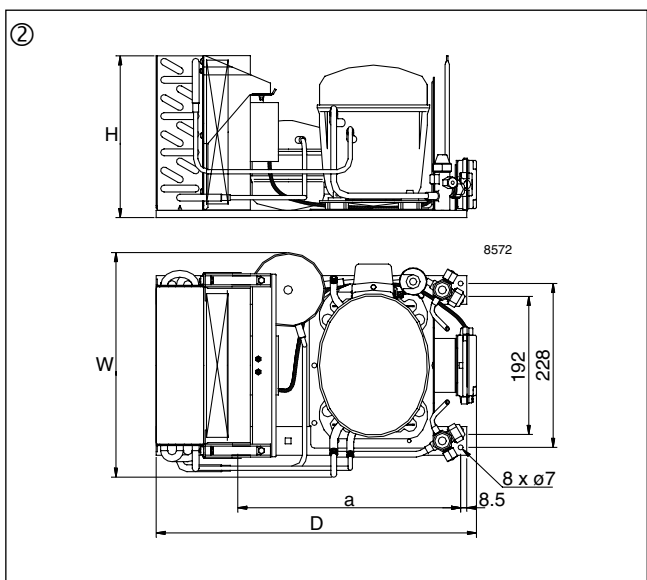
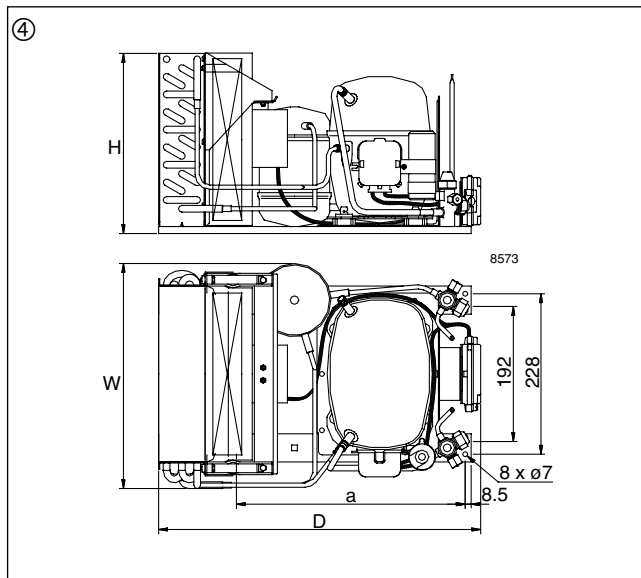
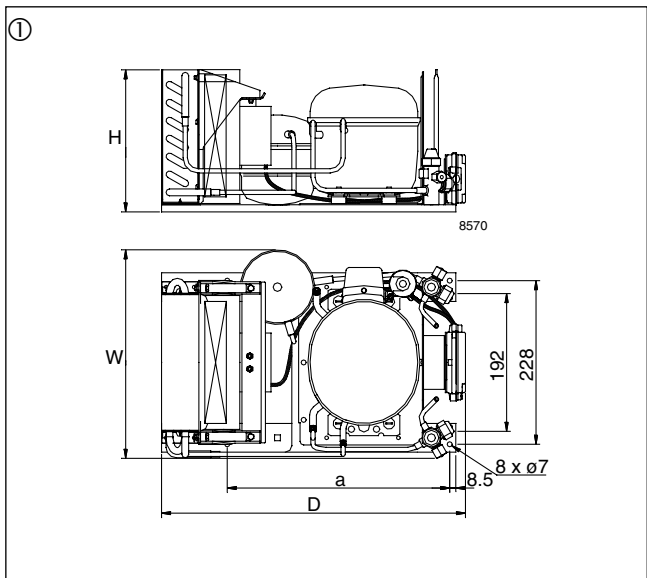
Q - R452A, R404A, R507

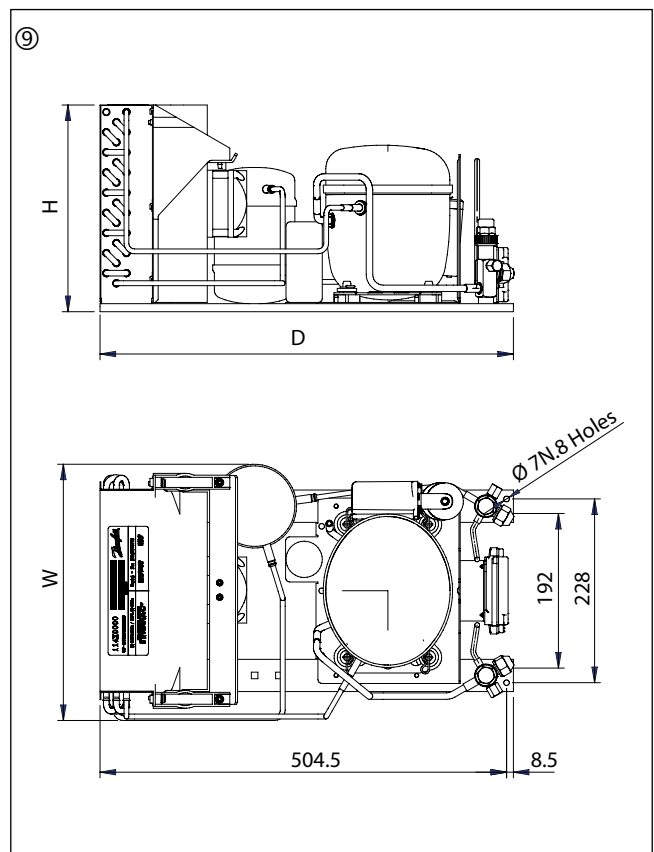
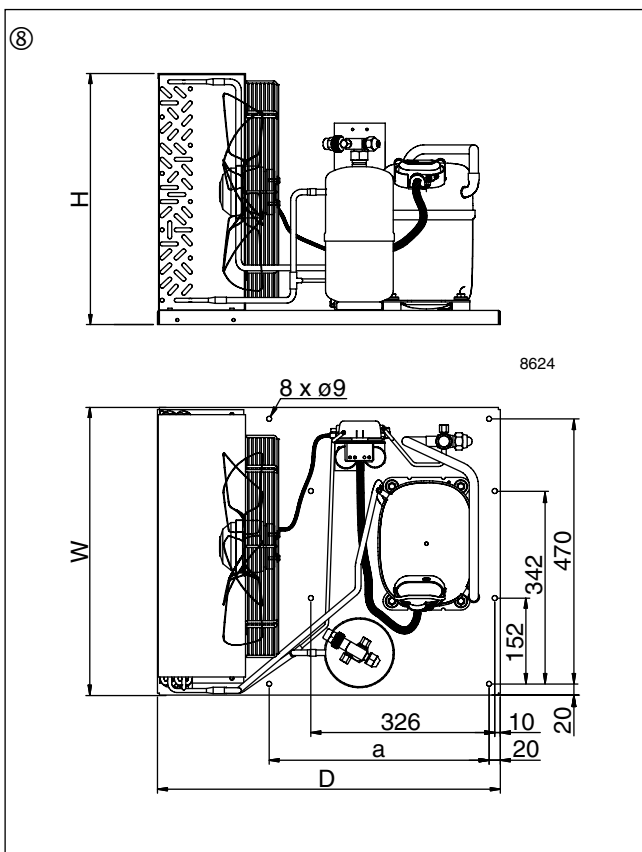
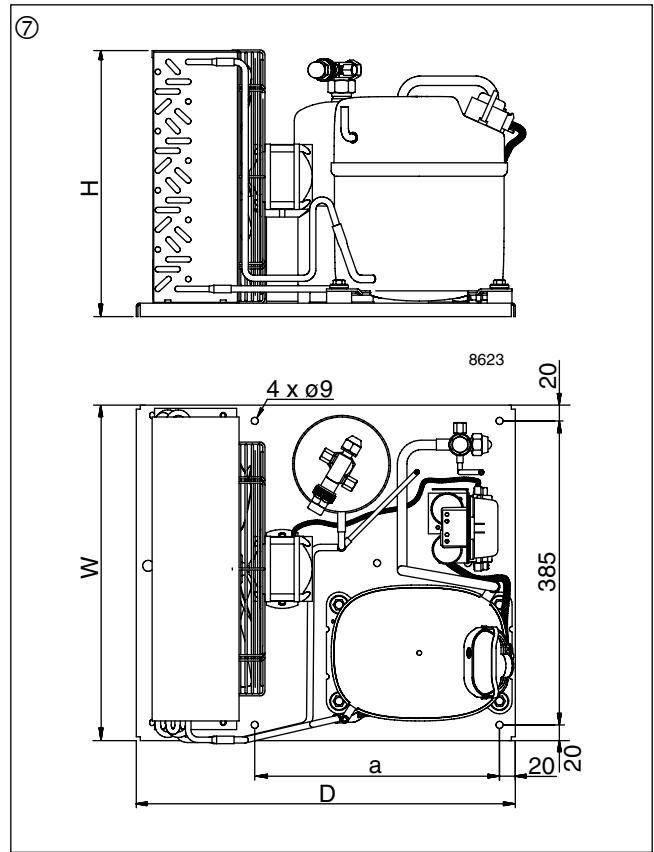
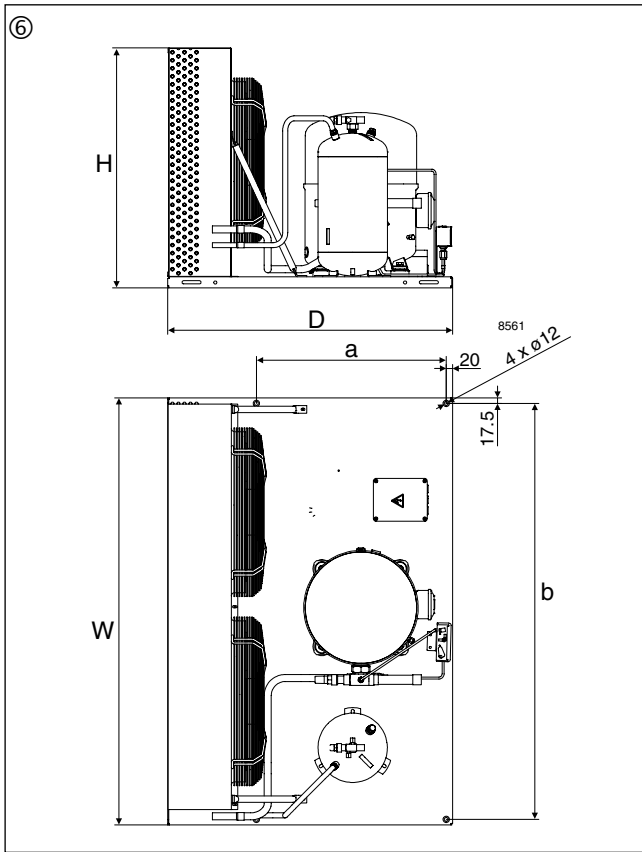
(2) G - Compressor 230V/1~/50Hz, fan 230V/1~/50Hz

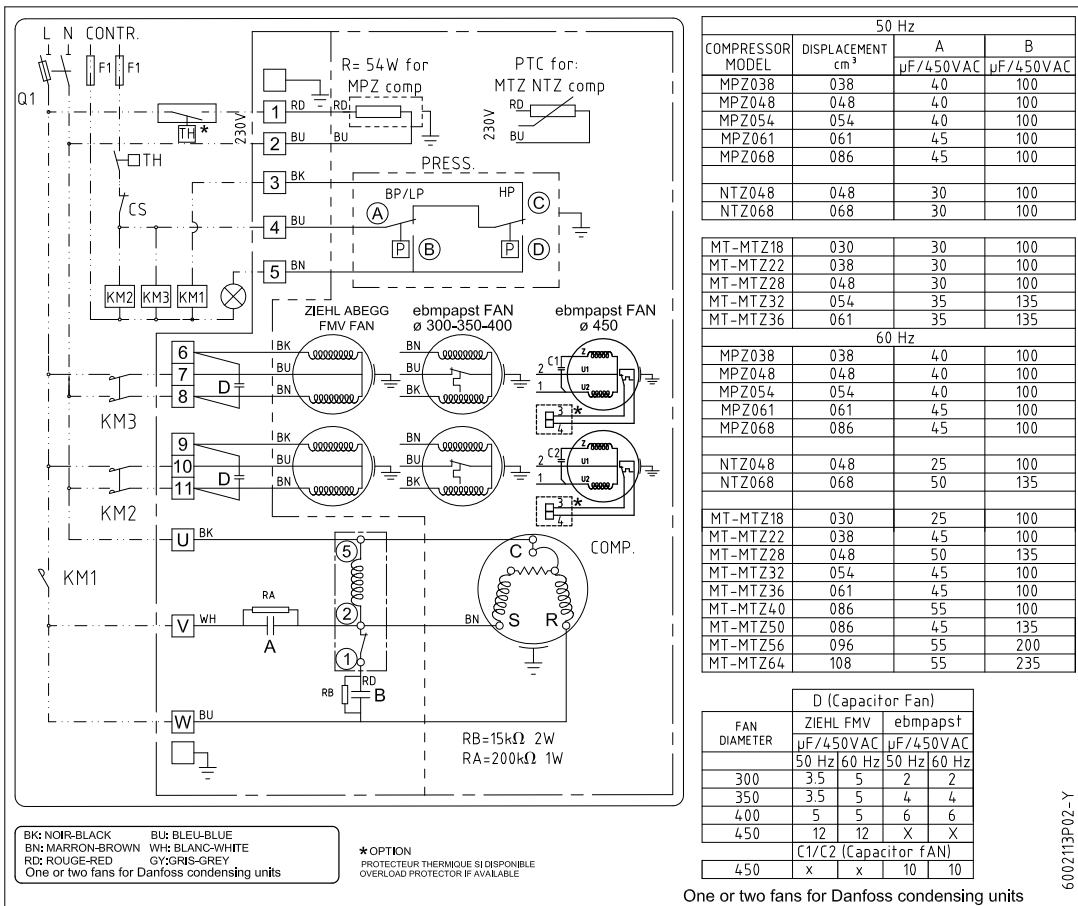
E - Compressor 400V/3~/50Hz, fan 230V/1~/50Hz

Component type	Component code	Component description	Additional informations
Condenser	118U0028	CONDENSER COIL BG1	
Condenser	118U0029	CONDENSER COIL BG2	
Condenser	118U0030	CONDENSER COIL BG3	
Condenser	118U0031	CONDENSER COIL BG4/5	
Condenser	118U0054	CONDENSER COIL BG6	
Condenser	118U0068	CONDENSER COIL BG6 TWIN	
Condenser	118U0069	CONDENSER COIL BG7 GS	
Condenser	118U0070	CONDENSER COIL BG8 GS	
Receiver	118U0517	LIQUID RECEIVER 800 CCM (TUEV)	
Receiver	118U0523	LIQUID RECEIVER 1100 CCM (TUEV)	
Motor fan	118U0032	FAN MOTOR 5 WATT	
Motor fan	118U0033	FAN MOTOR 11 WATT	
Motor fan	118U0034	FAN MOTOR 16 WATT	
Motor fan	118U0035	FAN MOTOR 18 WATT	
Motor fan	118U0058	FAN MOTOR 25 WATT	
Motor fan	118U0059	FAN MOTOR 135 WATT	
Fan guard	118U0041	FAN COWL BG1	
Fan guard	118U0042	FAN COWL BG2	
Fan guard	118U0043	FAN COWL BG3	
Fan guard	118U0044	FAN COWL BG4/5	
Fan guard	118U0066	FAN COWL BG6	
Fan guard	118U0067	FAN COWL BG7	
Fan	118U0036	FAN BLADES OE170	
Fan	118U0037	FAN BLADES OE200	
Fan	118U0038	FAN BLADES OE230	
Fan	118U0039	FAN BLADES OE254	
Fan	118U0040	FAN BLADES OE300	
Weatherproof housing	118U4620	CONDENSING UNIT HOUSING	
Weatherproof housing	118U4621	CONDENSING UNIT HOUSING	

Component type	Component code	Component description	Additional informations
Compressor single pack	120F0228	NTZ048-5LR1-SINGLE	Previously 120F0087
Compressor single pack	120F0232	NTZ068-5LR1-SINGLE	Previously 120F0088
Compressor single pack	120F0234	NTZ096-4LR1-SINGLE	Previously 120F0003
Compressor single pack	120F0226	NTZ048-4LR1-SINGLE	Previously 120F0001
Compressor single pack	120F0230	NTZ068-4LR1-SINGLE	Previously 120F0002
Compressor single pack	120F0238	NTZ108-4LR1-SINGLE	Previously 120F0004
Compressor single pack	120F0236	NTZ136-4LR1- RECIP	Previously 120F0005
Compressor single pack	MTZ18-5VI	MTZ18-5VI, COMPRESSOR VERSION EGALISATION	
Compressor single pack	MTZ22-5VI	MTZ22-5VI COMP OSG-EQUAL MULTIREF	
Compressor single pack	MTZ28-5VI	MTZ28-5VI, COMP OSG-EQUAL MULTIREF	
Compressor single pack	MTZ32-5VI	MTZ32-5VI, COMPRESSOR VERSION EGALISATION	
Compressor single pack	MTZ36-5VI	Compressor MTZ36-5VI	
Compressor single pack	MTZ50-4VI	MTZ50-4VI, COMP OSG-EQUAL MULTIREF	
Compressor single pack	MTZ56-4VI	MTZ56-4VI, COMP OSG-EQUAL MULTIREF	
Compressor single pack	MTZ64-4VI	MTZ64-4VI, COMP OSG-EQUAL MULTIREF	
Compressor single pack	MTZ80-4VI	MTZ80-4VI, COMP OSG-EQUAL MULTIREF	
Compressor single pack	MTZ100-4VI	MTZ100-4VI, COMP OSG-EQUAL MULTIREF	
Compressor single pack	MTZ125-4VI	MTZ125-4VI, COMP OSG-EQUAL MULTIREF	
Compressor single pack	MTZ160-4VI	MTZ160-4VI, COMP OSG-EQUAL MULTIREF	
Compressor single pack	MTZ18-4VI	MTZ18-4VI, COMP OSG-EQUAL MULTIREF	
Compressor single pack	MTZ22-4VI	MTZ22-4VI, COMP OSG-EQUAL MULTIREF	
Compressor single pack	MTZ28-4VI	MTZ28-4VI, COMP OSG-EQUAL MULTIREF	
Compressor single pack	MTZ32-4VI	MTZ32-4VI, COMP OSG-EQUAL MULTIREF	
Compressor single pack	MTZ36-4VI	MTZ36-4VI, COMP OSG-EQUAL MULTIREF	
Compressor single pack	MTZ40-4VI	MTZ40-4VI, COMP OSG-EQUAL MULTIREF	
Compressor single pack	MTZ72-4VI	MTZ72-4VI, COMP OSG-EQUAL MULTIREF	
Compressor single pack	MTZ144-4VI	MTZ144-4VI, COMP OSG-EQUAL MULTIREF	
Condenser	118U8000	CONDENSER COIL A4	
Condenser	118U8003	CONDENSER COIL D4	
Condenser	8174036	CONDENSER COIL C4	
Condenser	8174038	CONDENSER COIL E4	
Condenser	8174041	CONDENSER COIL H4	
Condenser	118U8001	CONDENSER COIL B4	
Condenser	118U8005	CONDENSER COIL F4	
Condenser	118U8006	CONDENSER COIL G4	
Condenser	118U8007	CONDENSER COIL H4	
Condenser	118U8010	CONDENSER COIL L4	
Condenser	118U8012	CONDENSER COIL N4	
Condenser	8174042	CONDENSER COIL J4	
Condenser	8174044	CONDENSER COIL L4	
Condenser	8174045	CONDENSER COIL M3	
Condenser	8174048	CONDENSER COIL Q4	
Receiver	8168179	LIQUID RECEIVER 3L R032	
Receiver	8168180	LIQUID RECEIVER 6L R061	
Receiver	8168181	LIQUID RECEIVER 8L R076	
Receiver	8168182	LIQUID RECEIVER 10L R101	
Receiver	8168183	LIQUID RECEIVER 14L R141	
Rotalock valve	7968014	ROTALOCK VALVE 1 1/4" - 5/8"	
Rotalock valve	7968017	ROTALOCK VALVE 1 3/4" - 7/8"	
Rotalock valve	7968013	ROTALOCK VALVE 1" - 1/2"	
Rotalock valve	7968018	ROTALOCK valve 1+3/4" - 1+1/8"	
Rotalock valve	7968012	ROTALOCK valve 1" - 3/8"	
Rotalock valve	7968015	ROTALOCK VALVE 1 1/4" - 3/4"	
Rotalock valve	7968016	ROTALOCK valve 1+1/4" - 7/8"	
Fan motor assembly	8176043	FAN ASSEMBLIES FA300 230/1/50-60	
Fan motor assembly	8176045	FAN ASSEMBLIES FA350 230/1/50-60	
Fan motor assembly	8176018	FAN ASSEMBLIES FA250 230/1/50-60	
Fan motor assembly	8176047	FAN ASSEMBLIES FA400 230/1/50-60	
Fan motor assembly	118U8023	FAN ASSEMBLIES FA300 230/1/50-60	
Fan motor assembly	8176070	FAN ASSEMBLIES FA450 230/1/50-60	
Fan motor assembly	118U0373	Fan assembly S4E630 230/1/50 (or 50/60)	
Crankcase heater	120Z0459	PTC Crankcase heater	
Oil	120Z0638	1 litre can of 175PZ - POE (NTZ Platform)	
Oil	120Z0639	2.5 litre can of 175PZ - POE (NTZ Platform)	
Oil	7754019	1 litre can of 160PZ - POE (MTZ Platform)	
Oil	120Z0573	2.5 litre can of 160PZ - POE (MTZ Platform)	

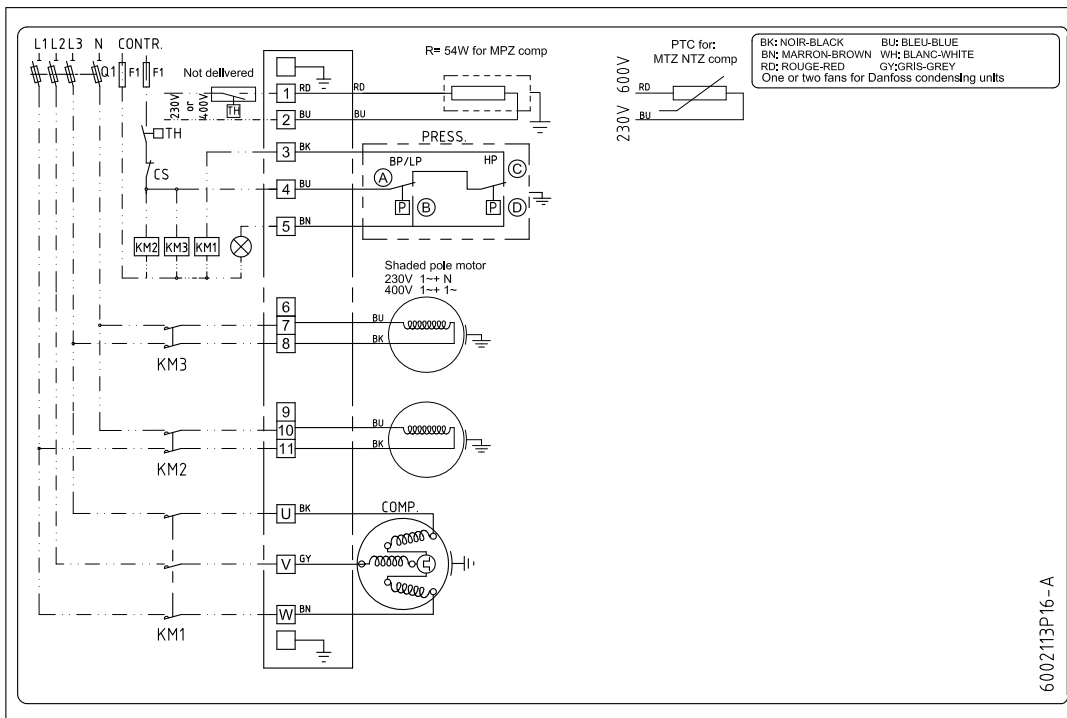




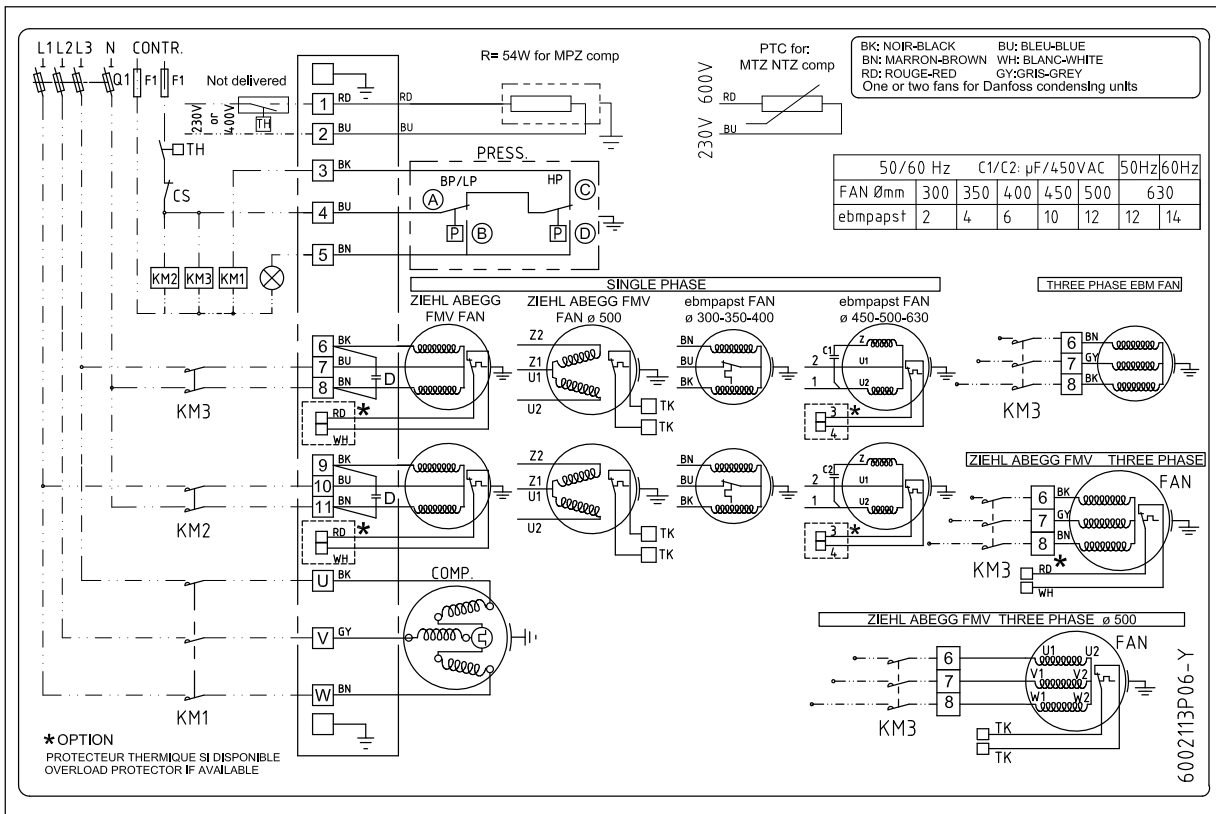


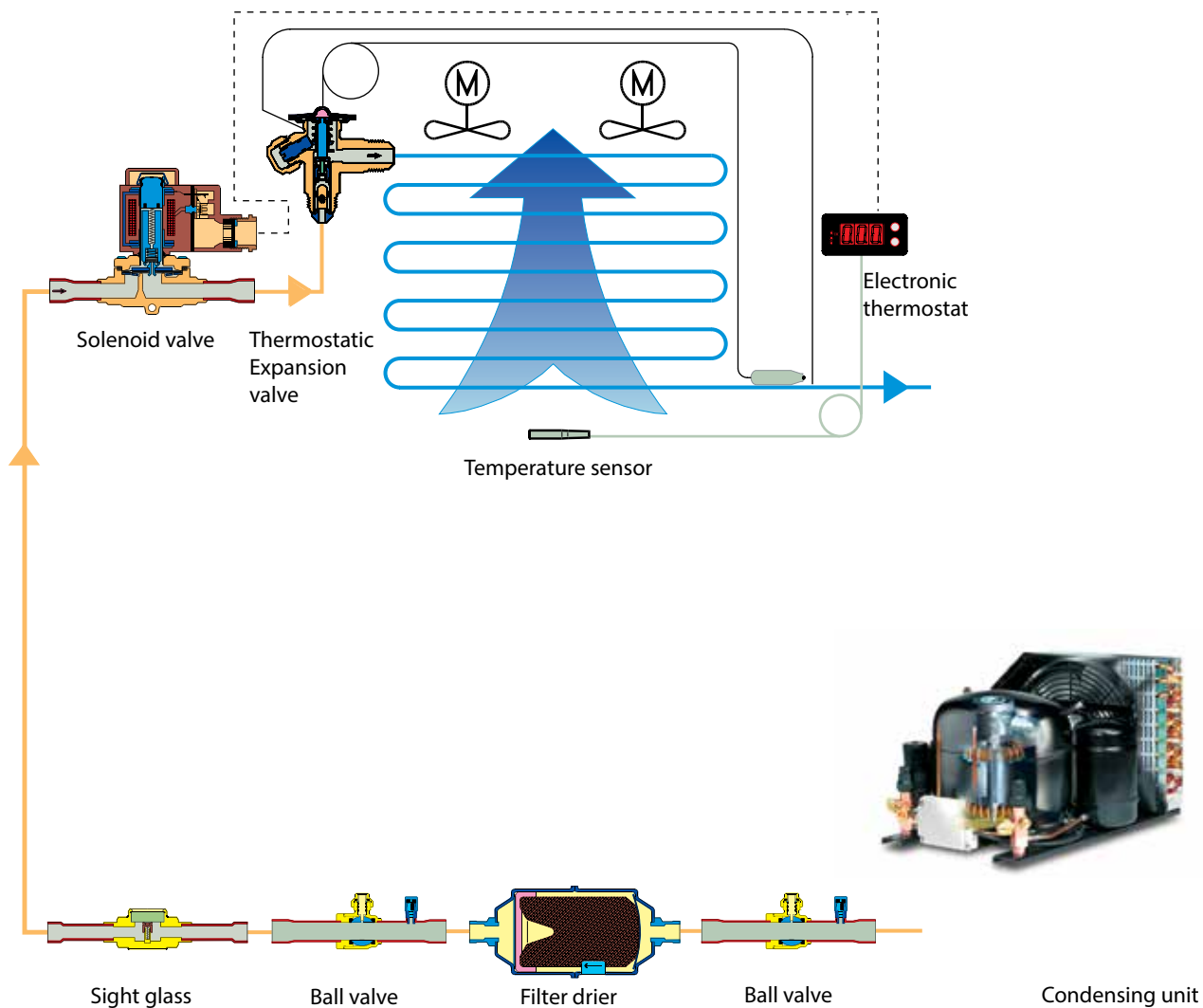
6002113P02-Y

One or two fans for Danfoss condensing units



6002113P16-A





Danfoss Commercial Compressors

is a worldwide manufacturer of compressors and condensing units for refrigeration and HVAC applications. With a wide range of high quality and innovative products we help your company to find the best possible energy efficient solution that respects the environment and reduces total life cycle costs.

We have 40 years of experience within the development of hermetic compressors which has brought us amongst the global leaders in our business, and positioned us as distinct variable speed technology specialists. Today we operate from engineering and manufacturing facilities spanning across three continents.



Danfoss Scrolls



Danfoss Inverter Scrolls



Danfoss Maneurop Reciprocating Compressors



Danfoss Light Commercial Refrigeration Compressors



Danfoss Turbocor Compressors



Danfoss Optyma Condensing Units

Our products can be found in a variety of applications such as rooftops, chillers, residential air conditioners, heatpumps, coldrooms, supermarkets, milk tank cooling and industrial cooling processes.

<http://cc.danfoss.com>

Danfoss Commercial Compressors, BP 331, 01603 Trévoux Cedex, France | +334 74 00 28 29



Danfoss can accept no responsibility for possible errors in catalogues, brochures and other printed material. Danfoss reserves the right to alter its products without notice. This also applies to products already on order provided that such alterations can be made without subsequential changes being necessary in specifications already agreed. All trademarks in this material are property of the respective companies. Danfoss and the Danfoss logotype are trademarks of Danfoss A/S. All rights reserved.