

Installation Guide

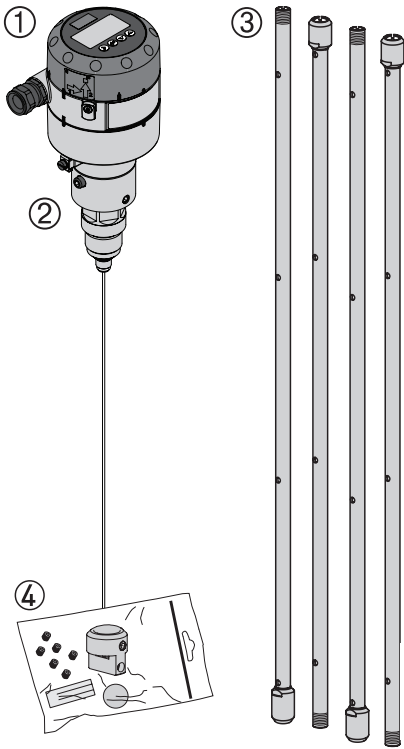
en Liquid Level Sensor AKS 4100/4100U - Coaxial D14

zh 液位传感器 AKS 4100/4100U - 同轴套管式 D14

jp タイプ AKS 4100/4100U - パイプ式 D14

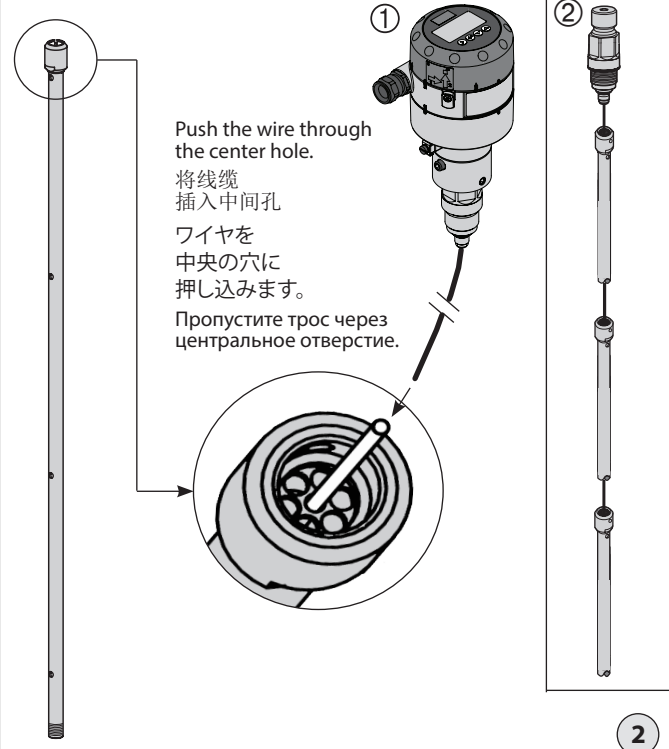
ru Уровнимер AKS 4100/4100U - КОАКСИАЛ. D14

148R9622

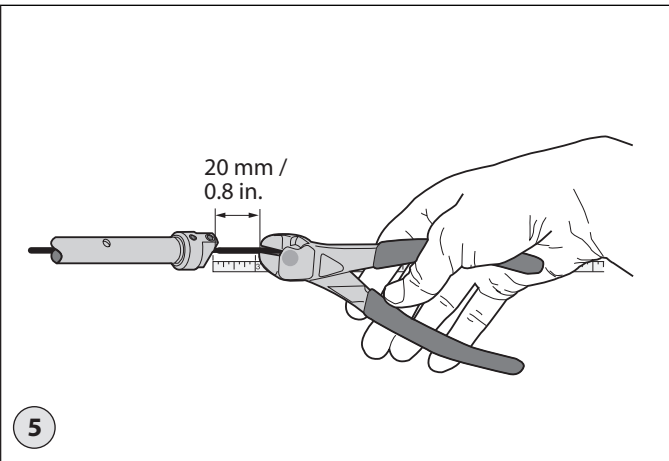
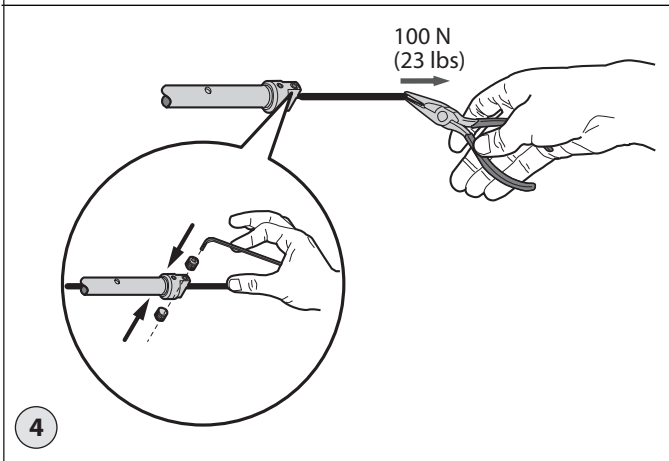
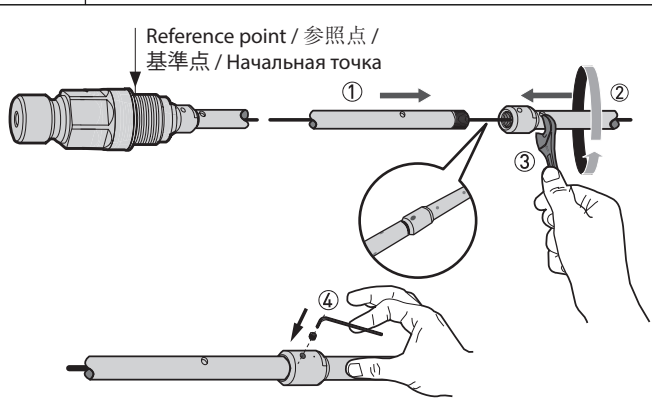
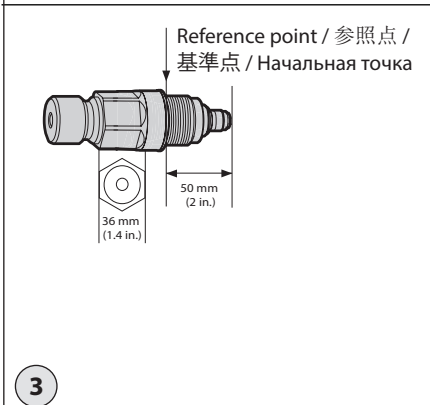


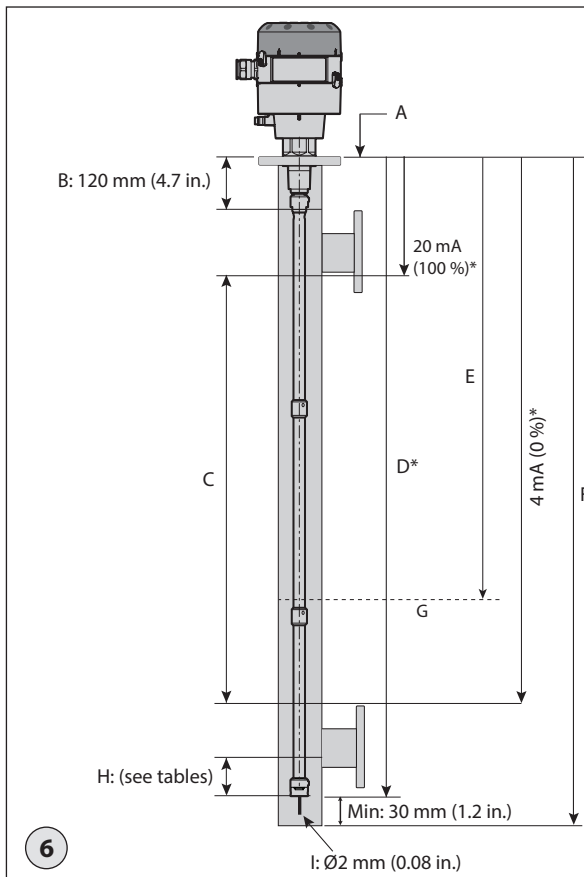
Available lengths:
 可选长度:
使用できる長さ:
Доступные длины::
 AKS 4100, 500 mm
 AKS 4100, 800 mm
 AKS 4100, 1000 mm
 AKS 4100, 1200 mm
 AKS 4100, 1500 mm
 AKS 4100, 1700 mm
 AKS 4100, 2200 mm

 AKS 4100U, 19.2 in.
 AKS 4100U, 30 in.
 AKS 4100U, 45 in.
 AKS 4100U, 55 in.
 AKS 4100U, 65 in.
 AKS 4100U, 85 in.



148R9622





	en	zh	jp	ru
A	Reference point	参照点	基準点	Точка отсчета
B	Top dead zone	顶端死区	上部デッドゾーン	Верхние мертвые зоны
C	Measuring range	測量范围	計測範囲	Диапазон измерения
D	Probe length	探头长度	プローブ長	Длина датчика
E	Distance	距离	距離	Расстояние
F	Inner length of stand-pipe	立管内部长度	直立管の内長さ	Внутренняя длина стояка
G	Surface level	液位	液面レベル	Поверхностный уровень
H	Bottom dead zone (see tables)	底端死区 (参见表格)	下部デッドゾーン (表を参照)	Нижняя мертвая зона (см. таблицы)
I	Steel wire insertion length	钢线插入长度	鋼線挿入長	Длина прокладки стального провода

* Values to be entered into HMI Quick Setup menu and recorded on the setting label. Stick the setting label onto the Signal Converter either inside or outside.
 将数值输入到 HMI 快速设置菜单，并在设置标签上标明。将设置标签粘贴到信号转换器上，内侧或外侧均可。
 HMI 高速设置メニューに入力して設定ラベルに記録する値。内側か外側の設定ラベルを信号コンバータに貼り付けます。
 Значения установленные при быстрой настройке уровнемера, необходимо записать на бирку. Бирку можно разместить как и на преобразователе сигнала, так и в внутри его.

6

Please note: It is mandatory to input dielectric constant for CO₂ applications.
 请注意：对于 CO₂ 应用，必须输入介电常数。
注意してください:CO₂ を使用する場合には誘電率の入力が必須です
Внимание: при использовании с CO₂ обязательно необходимо установить значение εr.

Dielectric Constant εr always set during Quick Setup
 快速设置时总是要设置介电常数 εr
誘電率 εr は必ず高速設置中に設定してください。
Величина диэлектрической проницаемости (εr) всегда вводится через меню «Быстрая настройка»

Refrigerant 制冷剂 冷媒 Хладагент	Probe length 探头长度 プローブ長 Длина измерительной части		Bottom Dead Zone 底端死区 下部デッドゾーン Нижняя мертвая зона	Bottom Dead Zone 底端死区 下部デッドゾーン Нижняя мертвая зона
	[mm]	[in.]	[mm]	[in.]
CO ₂	500	19.7	170	6.7
	800	31.5		
	1000	39.4		
	1200	47.2		
	1500	59.1		
	1700	66.9		
2200	86.6			

Factory setting / 出厂设定 / 工場出荷時の設定 / заводская настройка

Refrigerant 制冷剂 冷媒 Хладагент	Probe length 探头长度 プローブ長 Длина измерительной части		Bottom Dead Zone 底端死区 下部デッドゾーン Нижняя мертвая зона	Bottom Dead Zone 底端死区 下部デッドゾーン Нижняя мертвая зона
	[mm]	[in.]	[mm]	[in.]
Ammonia 氨 アンモニア Аммиак	500	19.7	95	3.7
	800	31.5	104	4.1
	1000	39.4	110	4.3
	1200	47.2	116	4.6
	1500	59.1	125	4.9
	1700	66.9	131	5.2
2200	86.6		146	5.8

Factory setting / 出厂设定 / 工場出荷時の設定 / заводская настройка

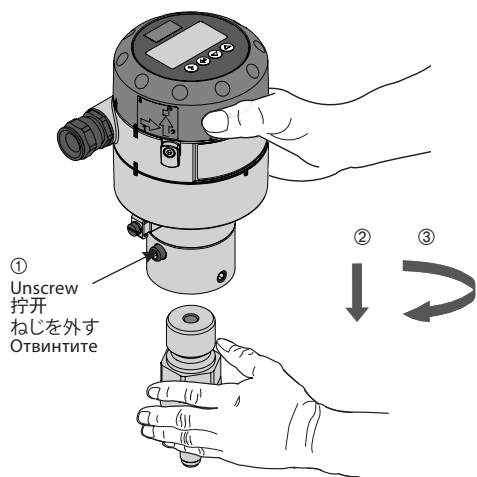
Refrigerant 制冷剂 冷媒 Хладагент	Probe length 探头长度 プローブ長 Длина измерительной части		Bottom Dead Zone 底端死区 下部デッドゾーン Нижняя мертвая зона	Bottom Dead Zone 底端死区 下部デッドゾーン Нижняя мертвая зона
	[mm]	[in.]	[mm]	[in.]
HCFC,HFC	500	19.7	115	4.5
	800	31.5	124	4.9
	1000	39.4	130	5.1
	1200	47.2	136	5.4
	1500	59.1	145	5.7
	1700	66.9	151	5.9
2200	86.6		166	6.5

Improved Bottom dead zone values after the adjustment of dielectric constant
 调整介电常数后，底端死区值有所改善
誘電率調整後の改良された下部デッドゾーンの値
Оптимизированные величины верхней и нижней мёртвых зон после введения значения диэлектрической проницаемости

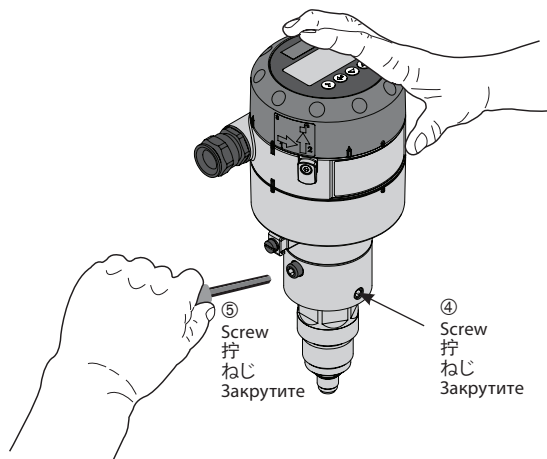
Refrigerant 制冷剂 冷媒 Хладагент	Probe length 探头长度 プローブ長 Длина измерительной части		Bottom Dead Zone 底端死区 下部デッドゾーン Нижняя мертвая зона	Bottom Dead Zone 底端死区 下部デッドゾーン Нижняя мертвая зона
	[mm]	[in.]	[mm]	[in.]
Ammonia 氨 アンモニア Аммиак	500	19.7	80	3.2
	800	31.5		
	1000	39.4		
	1200	47.2		
	1500	59.1		
	1700	66.9		
2200	86.6			

Improved Bottom dead zone values after the adjustment of dielectric constant
 调整介电常数后，底端死区值有所改善
誘電率調整後の改良された下部デッドゾーンの値
Оптимизированные величины верхней и нижней мёртвых зон после введения значения диэлектрической проницаемости

Refrigerant 制冷剂 冷媒 Хладагент	Probe length 探头长度 プローブ長 Длина измерительной части		Bottom Dead Zone 底端死区 下部デッドゾーン Нижняя мертвая зона	Bottom Dead Zone 底端死区 下部デッドゾーン Нижняя мертвая зона
	[mm]	[in.]	[mm]	[in.]
HCFC,HFC	500	19.7	100	3.9
	800	31.5		
	1000	39.4		
	1200	47.2		
	1500	59.1		
	1700	66.9		
2200	86.6			



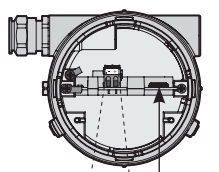
① Unscrew
拧开
ねじを外す
Отвинтите



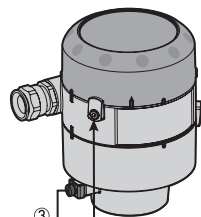
⑤ Screw
拧
ねじ
Закрутите

④ Screw
拧
ねじ
Закрутите

7

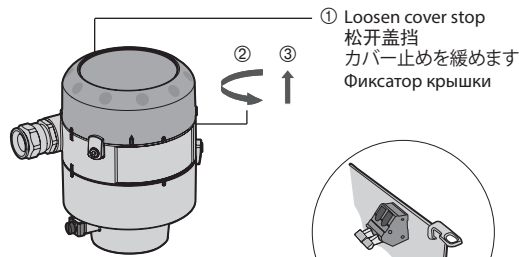


Connector for HMI
HMI 接続頭
HMI 用コネクタ
Подсоединение HMI

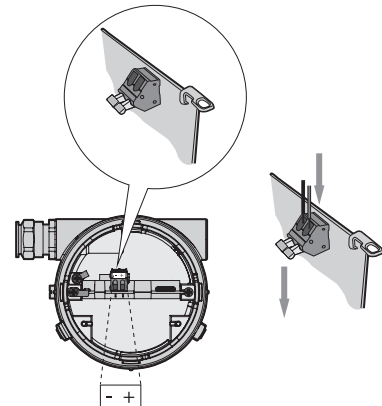


Cover stop. 2.5 mm / 0.2 in. Allen Key.
盖挡. 2.5 mm / 0.2 in. 内六角
カバー止め 2.5 mm / 0.2 インチ六角レンチ
Фиксатор крышки ключ на 2.5 мм / 0.2 дюйма.

8



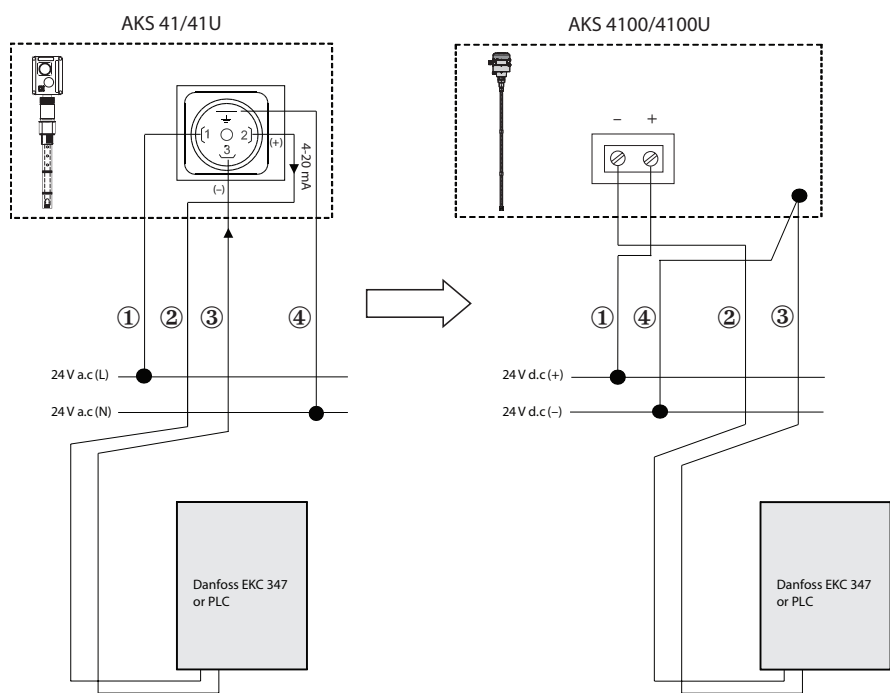
① Loosen cover stop
松开盖挡
カバー止めを緩めます
Фиксатор крышки



9

AKS 41/41U with a.c supply to
AKS 4100/4100U with d.c supply.
AKS 41/41U (交流电源) 至
AKS 4100/4100U (直流电源)
AC 電源付き AKS 41/41U から DC 電源付き
AKS 4100/4100U へ

Замена AKS 41 на AKS 4100
AKS 41/41U перененный ток на
AKS 4100/4100U постоянный ток

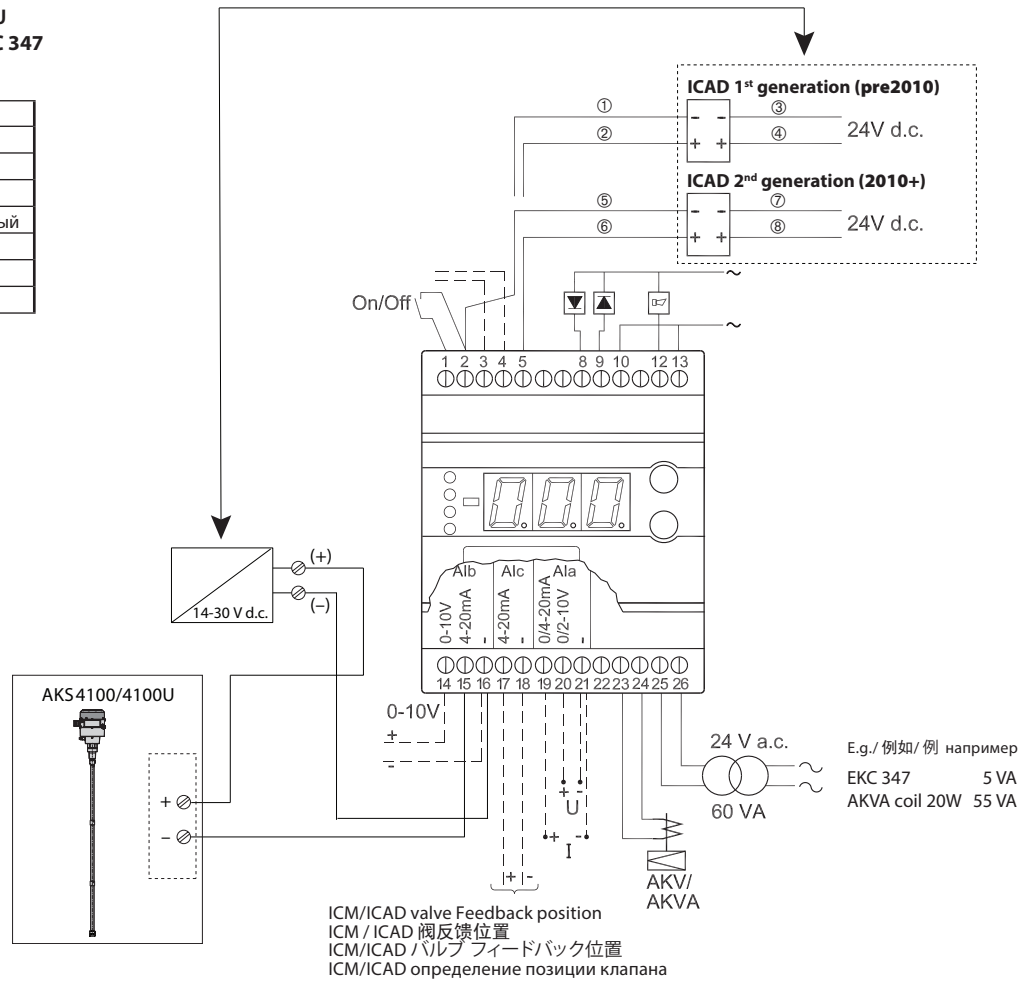


10

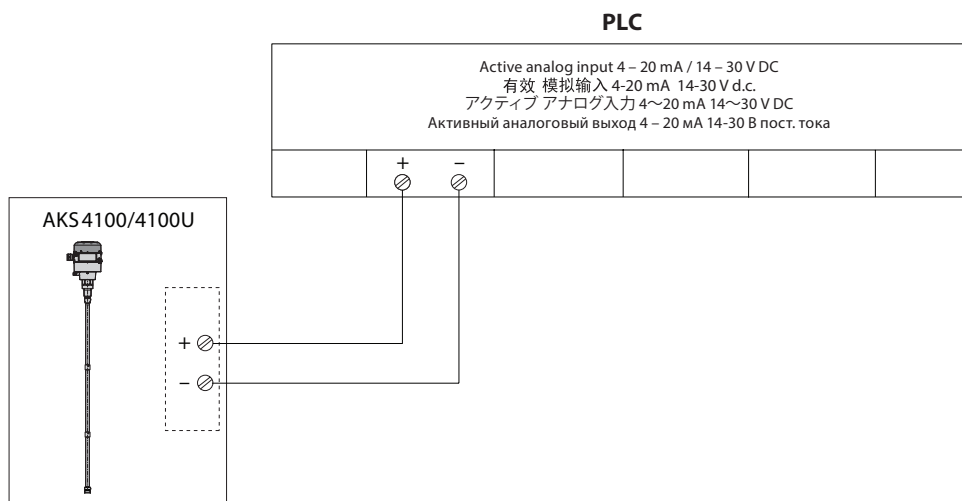
AKS 4100/4100U connected to EKC 347
 AKS 4100/4100U 连接到 EKC 347
 EKC 347 に接続した AKS 4100/4100U
 AKS 4100 подключение к EKC 347

①	2. yellow / 黄 / 黄色 / желтый
②	1. grey / 灰色 / グレー / серый
③	green / 绿色 / 緑 / зеленый
④	brown / 棕色 / 茶 / коричневый
⑤	orange / 橙 / オレンジ / оранжевый
⑥	yellow / 黄 / 黄色 / желтый
⑦	brown / 棕色 / 茶 / коричневый
⑧	white / 白 / 白 / белый

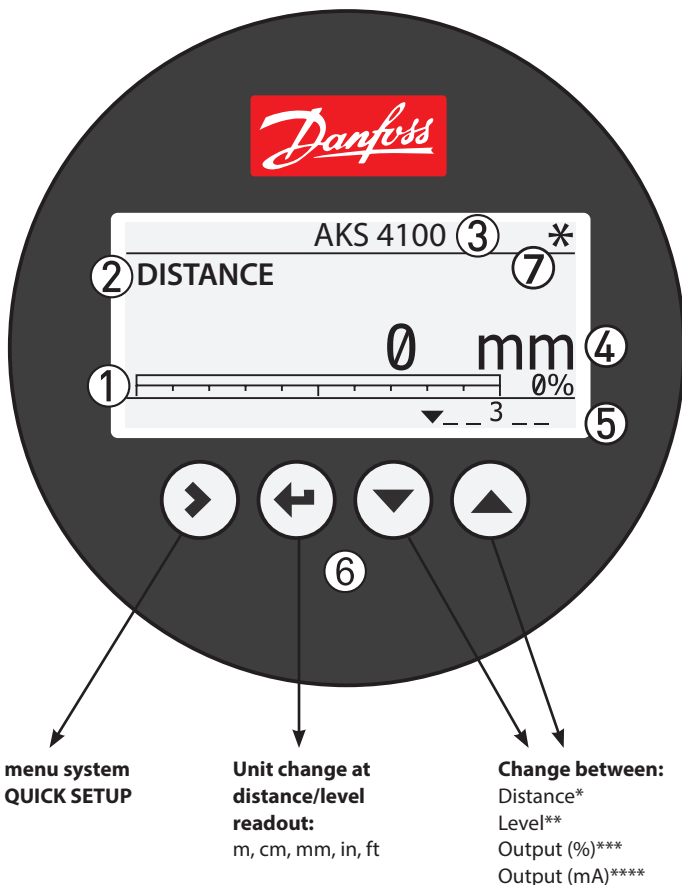
24 V DC from ICAD can also be used / 也可使用来自 ICAD 的 24 V d.c /
 ICAD からの 24V d.c も使用できます / Может использовать питание 24 в пост. тока от ICAD



AKS 4100/4100U connected to PLC
 AKS 4100/4100U 连接到 PLC
 AKS 4100/4100U PLC に接続
 AKS 4100 подключение к PLC



en



- ① 4 - 20 mA output displayed as bar graph and in percentage [%]
- ② Measurement name (in this example, DISTANCE)
- ③ Device tag name
- ④ Measurement reading and unit
- ⑤ Device status (markers)
- Marker 1, 2 and 3 (Error)**
Hardware problem; the Signal Converter hardware is defective. Contact Danfoss.
- Marker 4 and 5 (Notification)**
Depending on the level, the marker is ON or OFF. Used for Danfoss service information only.
- ⑥ Keypad buttons
- ⑦ Flashing star indicating unit in operation.

* DISTANCE is a display option.
If the display is set to "DISTANCE" the displayed value will be the distance from the Reference point to the top surface of the liquid refrigerant (see fig. 5).

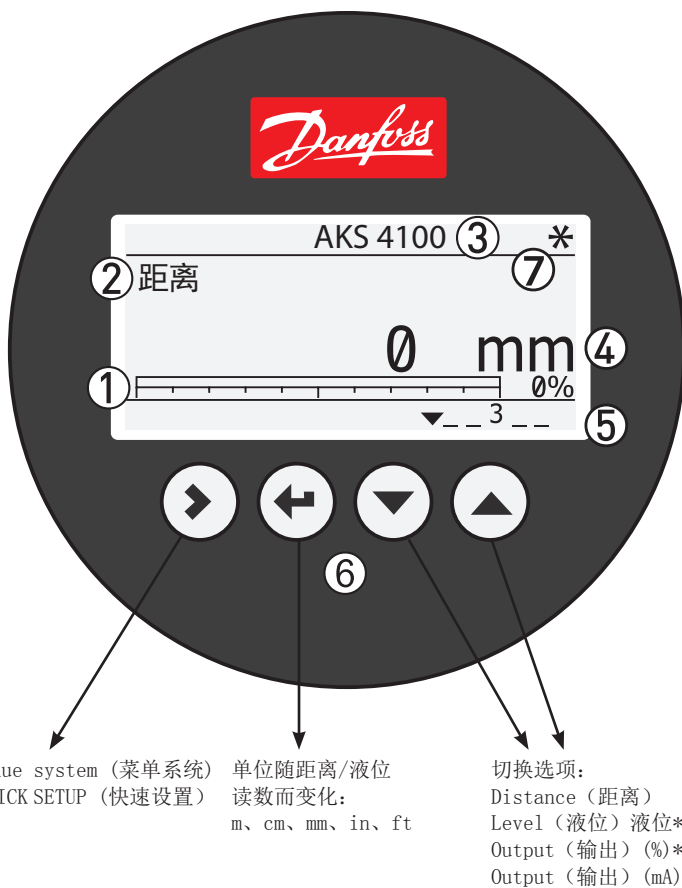
** LEVEL is display option.
If the display is set to "LEVEL" then the value displayed will be:
PROBE LENGTH (entered in QUICK SETUP)
- DISTANCE (see fig. 5).

*** OUTPUT (%) is display option.
Will represent the level of refrigerant, in percent, scaled (entered in QUICK SETUP) according to: SCALE 4 mA (0%), SCALE 20 mA (100%) (see fig. 5).

**** OUTPUT I (mA) is display option.
Will represent the level of refrigerant, in 4-20 milliamperes, scaled (entered in QUICK SETUP) according to: SCALE 4 mA (4 mA), SCALE 20 mA (20 mA) (see fig. 5).

13

zh



- ① 4 - 20 mA 输出 (以柱状图和百分比[%]显示)
- ② 测量值名称 (本例中为距离)
- ③ 设备名称
- ④ 测量读数和单位
- ⑤ 设备状态 (标记)
标记1、2和3 (错误)
硬件问题; 信号转换器硬件有缺陷。请联系丹佛斯。
标记4和5 (通知)
根据不同的液位, 标记为开或关。只用于丹佛斯服务信息。
- ⑥ 按键
- ⑦ 闪烁的星星, 表示设备正在工作。

* "Distance (距离)" 是一个显示选项。
若将显示设为 "Distance", 则显示的值是参照点至制冷剂液面顶部的距离 (参考图 6)。

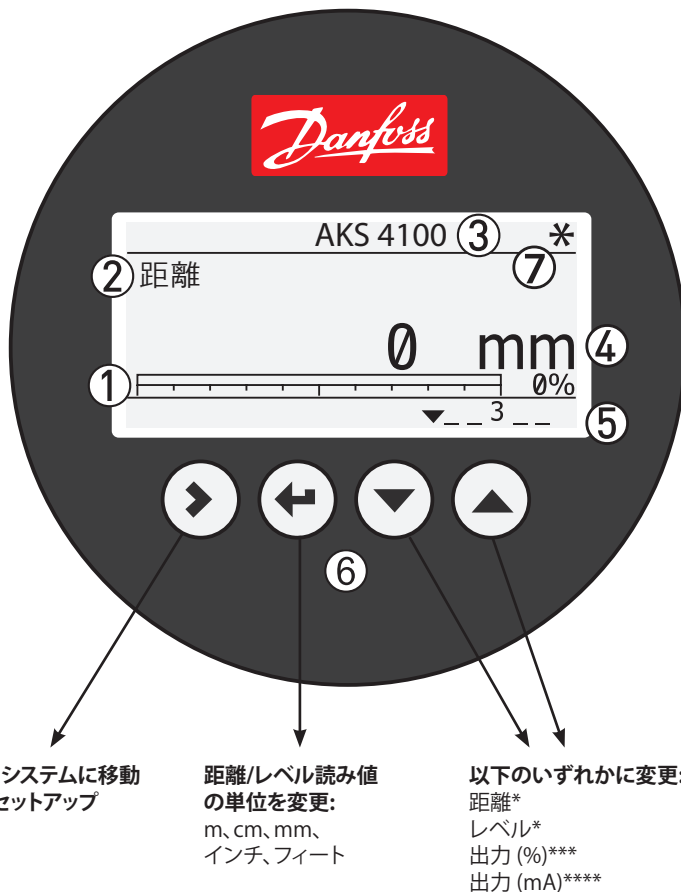
** "Level (液位)" 是一个显示选项。
若将显示设为 "Level", 则显示的值:
探头长度 (在快速设置中输入) - 距离 (参考图 6)。

*** "Output (输出) (%)" 是一个显示选项。
将以百分比形式显示制冷剂的液位, 根据下列条件确定标度 (在快速设置中输入):
SCALE 4 mA (0%), SCALE 20 mA (100%) (参考图 6)。

**** "Output (输出) (mA)" 是一个显示选项。
将以 4-20 毫安显示制冷剂的液位, 根据下列条件确定标度 (在快速设置中输入):
SCALE 4 mA (4 mA), SCALE 20 mA (20 mA) (参考图 6)。

13

jp



- ① 4 – 20 mA 出力をバーグラフとパーセンテージ [%] で表示
 - ② 計測名 (この例では「距離」)
 - ③ 装置タグ名
 - ④ 計測読み値と単位
 - ⑤ 装置ステータス (数値)
数値 1、2、3 (エラー)
ハードウェアの問題; 信号変換器 ハードウェアが故障。
Danfoss にご連絡ください。
数値 4 および 5 (通知)
レベルに応じて数値がオンまたはオフになります。
Danfoss のサービス情報としてのみ使用します。
 - ⑥ キーパッド ボタン
 - ⑦ 点滅する星印は装置が動作中であることを示します。
- * 「距離」は表示オプションです。
表示が「距離」に設定されている場合、表示される値は基準点から液体冷媒の上面までの距離になります (図 6 を参照)。
- ** 「LEVEL “レベル”」は表示オプションです。
表示が「LEVEL “レベル”」に設定されている場合には、表示される値は以下ようになります: プローブ長さ (高速設置で入力) – 距離 (図 5 を参照)。
- *** 「OUTPUT (%) “出力 (%)”」は表示オプションです。冷媒のレベルを (クイックセットアップで入力した) 以下のスケールを基準としたパーセント単位で表示します: 4mA位置 (0%)、20mA位置 (100%) (図 5 を参照)。
- **** 「OUTPUT I (mA) “出力 (mA)”」は表示オプションです。冷媒のレベルを (クイックセットアップで入力した) 以下のスケールを基準として 4~20mA の範囲で表示します: 4mA位置 (4 mA)、20mA位置 (20 mA) (図 5 を参照)。

13

ru



- ① Выходной сигнал 4 – 20 mA отображается на дисплее в виде графической шкалы и в виде процентов (%).
 - ② Наименование измеряемого параметра (в данном примере это расстояние).
 - ③ Модель уровнимера.
 - ④ Единицы измерения.
 - ⑤ Состояние прибора (в виде цифр):
Цифры 1, 2 и 3 (Ошибка)
Проблема с оборудованием; Отсутствие сигнала; Низкое напряжение. Обратитесь в Danfoss.
Цифры 4 и 5 (Уведомления)
В зависимости от значения уровня.
 - ⑥ Кнопки панели управления
 - ⑦ Мигающая звездочка, показывает, что прибор работает.
- * РАССТОЯНИЕ.
В случае отображения на дисплее параметра “РАССТОЯНИЕ”, измеряемой величиной будет являться расстояние между нулевой точкой и поверхностью жидкого холодильного агента (см. Рис. 5).
- ** УРОВЕНЬ.
В случае отображения на дисплее параметра “УРОВЕНЬ”, измеряемой величиной будет являться разница значений “ДЛИНА ТРОСА” (вводится при “БЫСТРОЙ НАСТРОЙКЕ”) – РАССТОЯНИЕ (см. Рис. 5).
- *** Выходной сигнал (%).
Указывает процент заполнения сосуда холодильным агентом в зависимости от значения:
Точки 4 mA (0%) и Точки 20 mA (100%) (см. Рис. 5) (указываются при “БЫСТРОЙ НАСТРОЙКЕ”).
- **** Выходной сигнал (mA).
Указывает уровень холодильного агента в сосуде, в соответствии с диапазоном 4 – 20 mA, в зависимости от значения:
Точки 4 mA (0%) и Точки 20 mA (100%) (см. Рис. 5) (указываются при “БЫСТРОЙ НАСТРОЙКЕ”).

13

ENGLISH



Please observe that AKS 4100/4100U is intended to always be* installed in a standpipe (column/bypass/stilling well). A standpipe is commonly used when:

- Servicing the AKS 4100/4100U
- There is highly conductive foam in the tank.
- The liquid is very turbulent or agitated.

AKS 4100/4100U Coaxial with or without HMI does not need any change of setting to operate, unless used in CO₂.

Presetting:

4 mA: Probe length - 100 mm (4 in.)
20 mA: 120 mm (5 in.)

Refrigerants

AKS 4100/4100U is designed specifically to measure liquid level in the most commonly used refrigerants, including R744 (CO₂), R717 (ammonia), HCFC, HFC and non corrosive gases/liquids.

Basic data

AKS 4100/4100U is a passive 2-wire 4 – 20 mA sensor that is loop powered.

Supply Voltage

14 – 30 V DC min/max. value for a max. output of 22 mA at the terminal

Load

RL [Ω] ≤ ((Uext - 14 V)/20 mA).
– Default (Error output set to 3.6 mA)
RL [Ω] ≤ ((Uext - 14 V)/22 mA).
– (Error output set to 22 mA)

Cable gland

AKS 4100 PG 13, M20×1.5 ;
(cable diameter:
6-8 mm (0.24-0.31 in.)
AKS 4100U ½ in. NPT

Terminals (spring loaded)
0.5-1.5 mm² (~20-15 AWG)

Enclosure

IP 67 (~NEMA type 4X)

Refrigerant temperature

-60 – 100 °C / -76 – 212 °F

Refrigerants

The listed refrigerants are qualified and approved by Danfoss:

R717 / NH₃: -40 – 50 °C / -40 – 122 °F
R744 / CO₂: -50 – 15 °C / -58 – 59 °F

HCFC:

R22: -50 – 48 °C / -58 – 118 °F

HFC:

R404A: -50 – 15 °C / -58 – 59 °F
R410A: -50 – 15 °C / -58 – 59 °F
R134A: -40 – 50 °C / -40 – 122 °F

Ambient temperature

-40 – 80 °C / -40 – 175 °F
For HMI: -20 – 60 °C / -4 – 140 °F

Process pressure

-1 – 100 barg / -14.5 – 1450 psig

Mechanical process connection with 5 m / 197 in.
Ø2 mm / 0.08 in. stainless cable:

AKS 4100 G1 inch pipe thread.
Aluminium gasket included
AKS 4100U ¾ in. NPT

(Further details in the Technical Brochure)

Mechanical Installation

Preparations prior to Mechanical Installation

Disassemble the Signal Converter from the Mechanical process connection (use 5 mm hex key, **see fig. 7**). Fit the red protection cover on top of the Mechanical process connection to protect it against any moisture or dirt particles.

Content supplied (fig 1)

- ① Signal Converter (with or without HMI)
- ② Mechanical process connection with 5 m / 197 in. Ø2 mm / 0.08 in. stainless wire
- ③ Tube(s)
- ④ Bag with:
End Connector (incl. 3 mm set screws.)
3 mm set screws (1 set screw pr. tube)
Red cover to protect Mechanical process connection ②, before Signal converter is mounted
Setting label.

Assembly of the segmented coaxial probe



Please observe that the stainless steel wire is not permanently creased or kinked.

1. Take the end of the stainless wire and feed it through the center hole of the plastic spacer located at the top of each tube (**see fig. 2**). Feed the entire length of the stainless wire through the tube and out at the bottom. If more than one tube; repeat the steps.
2. Assemble the segments of tube ① and ② (**see fig. 3**). Use a 17 mm open-end wrench to tighten the assembled parts.
3. If more than one tube; repeat the steps (**see fig. 3**).
4. Prior to assemble, disassemble signal converter and mechanical process connection, and fit red protection cap at mechanical process connection. Thread the fully assembled tube onto the mechanical process connection ②.
5. Lock each tube by tightening the set screw ④ with a 3 mm hex key (**see fig. 3**).
6. Pull the stainless wire through the end connector (**see fig. 4**).
7. Attach the end connector to the bottom of the fully assembled tube. Tighten the set screw with a 3 mm hex key (**see fig. 4**).
8. Pull the end of the stainless steel wire extending from the end connector with pliers (**see fig. 4**) to ensure that the tension in the signal cable is correct. Tighten the 2 set screws with a 3 mm hex key to lock the stainless wire.
9. Cut the stainless wire about 20 mm / 0.8 in. below the end connector (**see fig. 5**).
10. Measure the probe length (without the signal converter) before fitting the assembled probe in the standpipe (**see fig. 6**). Use a torque wrench to tighten the mechanical process connection (**fig. 1, item 2**) to 120 Nm (89 lb/ft).

If factory setting needs adjustment

Probe length, scale 4 mA and 20 mA for HMI Quick Setup.

Probe length:

See probe length on Danfoss product label or measure probe length (**see fig. 6**).

Scale 4 mA: (for max. measuring range)

- = Probe Length
- Bottom dead zone (**see fig. 6**)

Scale 20 mA: (for max. measuring range:)

- = Top dead zone (**see fig. 6**)

Example (AKS 4100)

Given conditions:

Probe length: 1200 mm
Refrigerant: CO₂ -35°C

The gas constant Er is always adjusted from the Quick Setup

Probe length:
= 1200 mm

SCALE 4 mA setting for max. measuring range:

- = Probe length (1200 mm)
- Bottom dead zone (**see fig. 6**)
(170 mm) = **1030 mm (40.9 in.)**

SCALE 20 mA Setting for Max. Measuring range:

- = Top dead zone (**see fig. 6**)
- = **120 mm / 4.7 in.**

From page 11:

Dielectric constant of refrigerant gas parameter 2.5.3 GAS EPS.R
= **1.02**

How to mount the AKS 4100/4100U Converter (see fig 7)

1. Unscrew the set and ventilation screws with a 5 mm Hexagon key in the Signal converter.
2. Push the Signal Converter downwards to stop on the Mechanical process connection
3. Turn the Signal Converter to the wanted position.
4. Screw the set screw with a 5 mm Hexagon key.
5. Screw the ventilation screw with a 5 mm Hexagon key.

Electrical installation/connection

Output terminals (fig. 8 and 9):

1. Current output –
2. Current output +
3. Grounding terminal

Electrical installation procedure

1. Use a 2.5 mm Allen wrench to loosen the cover stop.
2. Remove the terminal compartment cover from the housing.
3. Do not disconnect the wire from the terminal compartment cover. Put the terminal compartment cover adjacent to the housing.
4. Connect the wires to the device. Tighten the cable entry glands.
5. Attach the terminal compartment cover to the housing.
6. Use a 2.5 mm Allen wrench to tighten the cover stop.

Note:

The signal converter can be programmed with or without mechanical process connector assembled.

Start up:

- Connect the converter to the power supply.
- Energize the converter.

Devices with the HMI display option only:

After 10 seconds the screen will display "Starting up". After 20 seconds the screen will display the software version numbers. After 30 seconds the default screen (**fig. 13**) will appear.

Precautions when changing from AKS 41/41U to the AKS 4100/4100U:

Please note:

The AKS 41/41U can be used with AC and DC supply, but the AKS 4100/4100U can only be used with a DC supply. **Follow the instructions in fig. 10.**

Connecting to controller or PLC

Follow the instructions in **fig. 11 or 12.**



Note:

The current output will be set to 3.6 mA whenever the AKS 4100/4100 detects an error like Marker 1, 2 or 3 (see page 5).

Quick Setup →

Note:

The signal converter can be programmed with or without mechanical process connector assembled.

Quick Setup (all values below are only examples)

When CO₂ is used:

- Connect the device to the power supply (see the section "Electrical installation/connection").

- Press 3 times.

AKS 4100
QUICK SETUP?
YES NO

- Press .

AKS 4100
PROBETYPE
SINGLECABLE

- Press or to select between SINGLE, COAXIAL D14 and COAXIAL D22. Choose **COAXIAL D14** and press to confirm.

AKS 4100
LIQUID CO₂?
YES NO

- Press (YES) to confirm

AKS 4100
GAS EPS R?
001.000

- Press to change GAS EPS.R. (Select the correct value from the tables on page 8)
Press to change cursor-position.
Press to decrease the value or to increase the value.

- Press to confirm.

AKS 4100
PROBE LENGTH
05000 mm

- Press to change the PROBE LENGTH. Press to change the position of the cursor.
Press to decrease the value or to increase the value.
Press to confirm.

AKS 4100
SCALE 4mA
04946 mm

- Press to change of SCALE 4 mA. Press to change the cursor position.
Press to decrease the value or to increase the value.
Press to confirm.

AKS 4100
SCALE 20mA
00070 mm

- Press to change of SCALE 20 mA. Press to change the cursor position.
Press to decrease the value or to increase the value.
Press to confirm.

AKS 4100
QUICK SETUP
COMPLETED IN 8

- Wait for QUICK SETUP to complete. Count down from 8 sec.

AKS 4100
1.0.0
QUICK SETUP

- Press to confirm.

AKS 4100
1.0.0
STORE NO

- Press or to select between STORE NO or STORE YES.
Press to confirm.

Default screen appears:

AKS 4100
DISTANCE
5000 mm

Quick Setup completed

You have the possibility of checking your settings by pressing twice.

AKS 4100
COAXIAL D14 2200 mm
(0%) 4 mA 1900 mm
(100%) 20 mA 70 mm

Press to return to default screen.

For all other refrigerants:

- Connect the device to the power supply (see the section "Electrical installation/connection").

- Press 3 times.

```
AKS 4100
QUICK SETUP?
YES          NO
```

- Press .

```
AKS 4100
PROBETYPE
SINGLECABLE
```

- Press or to select between SINGLE, COAXIAL D14 and COAXIAL D22. Choose **COAXIAL D14** and press to confirm.

```
AKS 4100
LIQUID CO2?
YES          NO
```

- Press (NO) to confirm

```
AKS 4100
PROBE LENGTH
05000 mm
```

- Press to change the PROBE LENGTH. Press to change the position of the cursor.

```
AKS 4100
SCALE 4mA
04946 mm
```

```
AKS 4100
SCALE 4mA
04946 mm
```

- Press to change of SCALE 4 mA. Press to change the cursor position. Press to decrease the value or to increase the value. Press to confirm.

```
AKS 4100
SCALE 20mA
00070 mm
```

- Press to change of SCALE 20 mA. Press to change the cursor position. Press to decrease the value or to increase the value. Press to confirm.

```
AKS 4100
QUICK SETUP
COMPLETED IN 8
```

- Wait for QUICK SETUP to complete. Count down from 8 sec.

```
AKS 4100
1.0.0
QUICK SETUP
```

- Press .

```
AKS 4100
1.0.0
STORE NO
```

- Press or to select between STORE NO or STORE YES. Press .

Default screen appears:

```
AKS 4100
DISTANCE
5000 mm
```

Quick Setup completed

How to force mA output (all values below are only examples)

<p>Default screen</p> <div style="border: 1px solid black; padding: 5px; width: fit-content;"> AKS 4100 DISTANCE 5000 mm </div> <p>• Press </p> <div style="border: 1px solid black; padding: 5px; width: fit-content;"> AKS 4100 1.0.0 QUICK SETUP </div> <p>• Press </p> <div style="border: 1px solid black; padding: 5px; width: fit-content;"> AKS 4100 2.0.0 SUPERVISOR </div> <p>• Press </p> <div style="border: 1px solid black; padding: 5px; width: fit-content;"> AKS 4100 2.0.0 _____ </div> <p>Enter password:</p> <div style="display: flex; justify-content: space-around; width: 100px;"> </div> <div style="border: 1px solid black; padding: 5px; width: fit-content;"> AKS 4100 2.1.0 INFORMATION </div>	<p>• Press </p> <div style="border: 1px solid black; padding: 5px; width: fit-content;"> AKS 4100 2.2.0 TESTS </div> <p>• Press </p> <div style="border: 1px solid black; padding: 5px; width: fit-content;"> AKS 4100 2.2.1 SET OUTPUT </div> <p>• Press </p> <div style="border: 1px solid black; padding: 5px; width: fit-content;"> AKS 4100 SET OUTPUT 3.5 mA </div> <p>• Press to decrease the value or to increase the value. Press to confirm.</p> <div style="border: 1px solid black; padding: 5px; width: fit-content;"> AKS 4100 SET OUTPUT 8 mA </div>	<p>• Press 4 times to return to default screen.</p> <p>Default screen appears:</p> <div style="border: 1px solid black; padding: 5px; width: fit-content;"> AKS 4100 DISTANCE 5000 mm </div> <p>Force mA completed and disabled</p>
--	--	---

Optional Procedure

If the temperature condition in the stand pipe is known, a constant (dielectric constant of the refrigerant gas) **can be** entered (parameter 2.5.3 GAS EPS.R), in order to obtain lower Top and Bottom Dead Zone values (**see fig. 6**).

How to enter dielectric constant of refrigerant gas (all values below are only examples)

<p>Default screen</p> <div style="border: 1px solid black; padding: 5px; width: fit-content;"> AKS 4100 DISTANCE 5000 mm </div> <p>• Press </p> <div style="border: 1px solid black; padding: 5px; width: fit-content;"> AKS 4100 1.0.0 QUICK SETUP </div> <p>• Press </p> <div style="border: 1px solid black; padding: 5px; width: fit-content;"> AKS 4100 2.0.0 SUPERVISOR </div> <p>• Press </p> <div style="border: 1px solid black; padding: 5px; width: fit-content;"> AKS 4100 2.0.0 _____ </div> <p>Enter password:</p> <div style="display: flex; justify-content: space-around; width: 100px;"> </div> <div style="border: 1px solid black; padding: 5px; width: fit-content;"> AKS 4100 2.1.0 INFORMATION </div>	<p>• Press 4 times.</p> <div style="border: 1px solid black; padding: 5px; width: fit-content;"> AKS 4100 2.5.0 APPLICATION </div> <p>• Press </p> <div style="border: 1px solid black; padding: 5px; width: fit-content;"> AKS 4100 2.5.1 TRACING VEL. </div> <p>• Press 2 times.</p> <div style="border: 1px solid black; padding: 5px; width: fit-content;"> AKS 4100 2.5.3 GAS EPS. R </div> <p>• Press to check/change GAS EPS.R. (Select the correct value from the tables below and on page 8) Press to change cursor-position. Press to decrease the value or to increase the value.</p> <div style="border: 1px solid black; padding: 5px; width: fit-content;"> AKS 4100 GAS EPS. R 1.066 </div>	<p>• Press to confirm.</p> <div style="border: 1px solid black; padding: 5px; width: fit-content;"> AKS 4100 2.5.3 GAS EPS. R </div> <p>• Press 3 times.</p> <div style="border: 1px solid black; padding: 5px; width: fit-content;"> AKS 4100 1.0.0 STORE NO </div> <p>• Press or to select between STORE NO or STORE YES. Select STORE YES by pressing </p> <p>Default screen appears:</p> <div style="border: 1px solid black; padding: 5px; width: fit-content;"> AKS 4100 DISTANCE 5000 mm </div> <p>Entering the dielectric constant of refrigerant gas completed</p>
--	--	--

Saturated vapour dielectric constant (default value: 1.066)

R717 (NH₃)

Temperature range:
-60 – 50 °C / -76 – 122 °F

Temperature [°C]	Temperature [°F]	Dielectric constant of refrigerant gas Parameter 2.5.3 GAS EPS.R
-60 – -42	-76 – -43	1.00
-41 – -18	42 – 0	1.01
-17 – -5	1 – 23	1.02
-4 – 4	24 – 39	1.03
5 – 12	40 – 54	1.04
13 – 18	55 – 64	1.05
19 – 24	65 – 75	1.06
25 – 28	76 – 82	1.07
29 – 33	83 – 91	1.08
34 – 37	92 – 99	1.09
38 – 40	100 – 104	1.10
41 – 44	105 – 111	1.11
45 – 47	112 – 117	1.12
48 – 50	118 – 122	1.13

R22

Temperature range:
-60 – 48 °C / -76 – 118 °F

Temperature [°C]	Temperature [°F]	Dielectric constant of refrigerant gas Parameter 2.5.3 GAS EPS.R
-60 – -50	-76 – -58	1.00
-49 – -25	57 – -13	1.01
-24 – -10	-12 – 14	1.02
-9 – 0	15 – 32	1.03
1 – 8	33 – 46	1.04
9 – 15	47 – 59	1.05
16 – 21	60 – 70	1.06
22 – 26	71 – 79	1.07
27 – 31	80 – 88	1.08
32 – 35	89 – 95	1.09
36 – 39	96 – 102	1.10
40 – 42	103 – 108	1.11
43 – 45	109 – 113	1.12
46 – 48	114 – 118	1.13

R410A

Temperature range:
-65 – 15 °C / -85 – 59 °F

Temperature [°C]	Temperature [°F]	Dielectric constant of refrigerant gas Parameter 2.5.3 GAS EPS.R
-65 – -47	-85 – -52	1.01
-46 – -35	-51 – -31	1.02
-34 – -26	-30 – -14	1.03
-25 – -19	-13 – -2	1.04
-18 – -13	-1 – 9	1.05
-12 – -8	10 – 18	1.06
-7 – -4	19 – 25	1.07
-3 – 0	26 – 32	1.08
1 – 4	33 – 40	1.09
5 – 7	41 – 45	1.10
8 – 10	46 – 50	1.11
11 – 12	51 – 54	1.12
13 – 15	55 – 59	1.13

R507

Temperature range:
-60 – 15 °C / -76 – 59 °F

Temperature [°C]	Temperature [°F]	Dielectric constant of refrigerant gas Parameter 2.5.3 GAS EPS.R
-60 – -48	-76 – -54	1.01
-47 – -36	-53 – -32	1.02
-35 – -28	-31 – -18	1.03
-27 – -21	-17 – -6	1.04
-20 – -15	-17 – -5	1.05
-14 – -10	-4 – 14	1.06
-9 – -6	13 – 22	1.07
-5 – -2	23 – 29	1.08
-1 – 2	30 – 36	1.09
3 – 5	37 – 41	1.10
6 – 8	42 – 47	1.11
9 – 11	48 – 52	1.12
12 – 13	53 – 56	1.13
14 – 15	57 – 59	1.14

R744 (CO₂)

Temperature range:
-56 – 15 °C / -69 – 59 °F

Temperature [°C]	Temperature [°F]	Dielectric constant of refrigerant gas Parameter 2.5.3 GAS EPS.R
-56.0 – -42.0	-69 – -43	1.01
-41.0 – -28.0	-42 – -18	1.02
-27.0 – -17.0	-17 – 2	1.03
-16.0 – -9.0	3 – 16	1.04
-8.0 – -3.0	17 – 27	1.05
-2.0 – 2	28 – 36	1.06
3 – 7	37 – 45	1.07
8 – 11	46 – 52	1.08
12 – 14	53 – 58	1.09
15	59	1.10

R134a

Temperature range:
-60 – 50 °C / -76 – 122 °F

Temperature [°C]	Temperature [°F]	Dielectric constant of refrigerant gas Parameter 2.5.3 GAS EPS.R
-60 – -42	-76 – -43	1.00
-41 – -18	-42 – 0	1.01
-17 – -4	1 – 25	1.02
-3 – 5	26 – 41	1.03
6 – 13	42 – 56	1.04
14 – 20	57 – 68	1.05
21 – 25	69 – 77	1.06
26 – 30	78 – 86	1.07
31 – 34	87 – 94	1.08
35 – 38	95 – 100	1.09
39 – 42	101 – 108	1.10
43 – 45	109 – 113	1.11
46 – 48	114 – 119	1.12
49 – 50	120 – 122	1.13

R404A

Temperature range:
-60 – 15 °C / -76 – 59 °F

Temperature [°C]	Temperature [°F]	Dielectric constant of refrigerant gas Parameter 2.5.3 GAS EPS.R
-60 – -47	-76 – -52	1.01
-46 – -35	-51 – -31	1.02
-34 – -26	-30 – -14	1.03
-25 – -19	-13 – -2	1.04
-18 – -14	-1 – 7	1.05
-13 – -9	8 – 16	1.06
-8 – -4	17 – 25	1.07
-3 – 0	26 – 32	1.08
1 – 3	33 – 38	1.09
4 – 6	39 – 43	1.10
7 – 9	44 – 49	1.11
10 – 12	50 – 54	1.12
13 – 15	55 – 59	1.13

How to change the language setting (Default: English)

Default screen

AKS 4100
DISTANCE
5000 mm

- Press

AKS 4100
1.0.0
QUICK SETUP

- Press

AKS 4100
2.0.0
SUPERVISOR

- Press

AKS 4100
2.0.0

Enter password:

AKS 4100
2.1.0
INFORMATION

- Press 6 times

AKS 4100
2.7.0
DISPLAY

- Press

AKS 4100
2.7.1
LANGUAGE

- Press

AKS 4100
LANGUAGE
ENGLISH

- Press or to see the language possibilities
Press to confirm.

AKS 4100
2.7.1
LANGUAGE

- Press 3 times

AKS 4100
1.0.0
STORE NO

- Press or to select between STORE NO or STORE YES.
Select STORE YES by pressing
Default screen appears:

AKS 4100
DISTANCE
5000 mm

Language setup completed

Reset to factory setting

- Go to SUPERVISOR menu (see page 7).
- Go to parameter 2.9.4 Reset Factory.
- Select RESET FACTORY YES
- Press 3 times to return to default screen.

Factory reset completed.

中文



请注意, AKS 4100/4100U 总是*安装在立管内。立管通常应用于下列情况:

- 检修 AKS 4100/4100U
- 罐体内存在高导热的泡沫
- 液体呈现湍流和翻腾状态

制冷剂

AKS 4100/4100U 专用于测量最常用制冷剂的液位, 包括二氧化碳、氨、HCFC、HFC 和非腐蚀性气体/液体。

基本参数

AKS 4100/4100U 是一款回路供电的无源二线制 4 - 20 mA 传感器。

供电电压

14 - 30 V DC 最小/最大值
端子最大输出为 22 mA

负载

RL [Ω] ≤ ((Uext - 14 V) / 20 mA)
- 默认(差错输出设为 3.6 mA)
RL [Ω] ≤ ((Uext - 14 V) / 22 mA)
- 默认(差错输出设为 22 mA)

电缆封套

AKS 4100 PG 13, M20×1.5;
(电缆直径: 6-8 mm (0.24-0.31 in.))
AKS 4100U ¼ in. NPT

接线端子 (弹簧承载)

0.5-1.5 mm² (20-15 AWG)

防护等级

IP 67 (NEMA 4X)

制冷剂温度

-60 - 100 °C / -76 - 212 °F

制冷剂

丹佛斯认可适用的制冷剂:
R717 / NH₃: -40 - 50 °C / -40 - 122 °F
R744 / CO₂: -50 - 15 °C / -58 - 59 °F

HCFC:

R22: -50 - 48 °C / -58 - 118 °F

HFC:

R404A: -50 - 15 °C / -58 - 59 °F
R410A: -50 - 15 °C / -58 - 59 °F
R134A: -40 - 50 °C / -40 - 122 °F

环境温度

-40 - 80 °C / -40 - 175 °F
HMI: -20 - 60 °C / -4 - 140 °F

操作压力

-1 - 100 barg / -14.5 - 1450 psig
用长 5 m (197 in.) Ø2 mm / 0.08 in. 的不锈钢线缆进行机械连接:
AKS 4100 1" G 管罗纹。包括铝制垫片
AKS 4100U ¼ in. NPT

(详情请参阅《技术手册》)

机械安装

机械安装前的准备

从机械连接件上卸下信号转换器(用 5' mm 六角扳手, 参阅图7)。将红色保护盖安装到机械连接件的顶部, 使之免受潮气或污垢的影响。

装箱清单 (图1)

- ① 信号转换器 (带/不带 HMI)
- ② 机械连接件, 带 5 m (197 in.) Ø2 mm (0.08 in.) 不锈钢线
- ③ 同轴管道
- ④ 附件包:
终端连接器(包括 3mm 螺丝组)
3 mm 螺丝(每根管道螺丝)
安装信号转换器前用于保护机械连接件 ② 的红色保护盖

组装分段的同轴套管



请确保不锈钢线缆没有出现永久性折痕或永久性的扭结。

1. 手持不锈钢线末端, 将它穿过每根管道顶部的塑料垫片的中心孔(图2)。让整条不锈钢线缆穿过管道并伸出管道底端。若管道不止一根, 请重复上述步骤。
2. 组装管道①和②(图3)。使用17 mm 开口扳手拧紧装好的部件。
3. 若管道不止一根, 请重复上述步骤(图3)。
4. 组装之前, 先拆下信号转换器和机械连接件, 并将红色保护盖装在机械连接件上。将完全组装好的管道装到机械连接件②上。
5. 用 3 mm 六角扳手拧紧固定螺钉④, 以锁紧每一管段(图3)。
6. 将不锈钢线缆拉出终端连接器(图4)。
7. 将终端连接器紧贴组装好的管道底端。用 3 mm 六角扳手拧紧螺钉(图4)。
8. 用钳子拉紧不锈钢线缆(图4), 确保信号线缆的张力正确。用 3 mm 六角扳手拧紧2颗螺钉, 以锁定不锈钢线缆。
9. 从终端连接器外约 20 mm (0.8 in.) 剪断不锈钢线缆(图5)。
10. 将探测器安装到立管之前, 先测量探测器长度(无信号转换器)(图6)。用扭力扳手拧紧连接件(图1, 第2条), 力矩值为 120 Nm (89 lb/ft)。

标定探测器长度, 针对 HMI 快速设置标定 4 mA 和 20 mA:

探测器长度

参阅丹佛斯产品标签上的探头长度, 或者测量探头长度(图6)。

标定 4 mA : (最大测量范围)

- = 传感器长度
- 底部死区(图6)

标定 20 mA : (最大测量范围)

- = 顶部死区(图6)

示例 (AKS 4100)

给定条件:
探测器长度: 1200 mm
制冷剂: CO₂, -35°C
在快速设置中调整气体常数 Er

探头长度:

- = 1200 mm
- 标定 4 mA 设置(最大测量范围):
= 探测器长度(1200 mm)
- 底部死区(参阅图6)
(170 mm) = 1030 mm (40.9 in.)

标定 20 mA 设置(最大测量范围):

- = 顶部死区(参阅图6)
= 120 mm (4.7 in.)

第17页:

制冷剂气体的介电常数 2.5.3 GAS EPS.R
= 1.02

如何安装 AKS 4100/4100U 转换器(图7)

1. 使用信号转换器里面的 5mm 内六角扳手拧开固定螺栓与通风螺栓。
2. 向下推动信号转换器, 直至它停在机械连接件上。
3. 转动信号转换器至想要的位置。
4. 用 5 mm 内六角扳手拧紧固定螺栓。
5. 用 5 mm 内六角扳手拧紧通风螺栓。

电气安装/连接

输出端子(图8和图9):

1. 电流输出 -
2. 电流输出 +
3. 接地端子

电气安装步骤

1. 用 2.5 mm 内六角扳手松开顶盖。
2. 从壳体上取下端子舱盖。
3. 不要从端子舱盖上卸下电缆。将端子舱盖近壳体放置。
4. 将钢缆连接到设备。上紧线缆入口封套。
5. 将端子舱盖安装到机壳上。
6. 用 2.5 mm 内六角扳手拧紧顶盖。

注意:

无论是否具有机械连接件, 信号转换器都可以进行参数设置。

启动

- 将转换器连接到电源。
- 将转换器通电。

若设备带选配的 HMI 显示屏, 则仅在: 10秒后屏幕将显示“启动”。20秒后屏幕将显示软件版本号。30秒后显示默认屏幕(图13)。

将 AKS 41/41U 改为 AKS 4100/4100U 时需要注意。

注意:

AKS 41/41U 支持交流和直流电源, 而 AKS 4100/4100U 只能使用直流电源。按照图10的说明进行操作。

连接到控制器或 PLC

按照图11或12的说明进行操作。



注意:

AKS 4100/4100 检测到错误, 电流输出就会被设为 3.6 mA, 设备状态将标记为 1、2、3。

注意：
无论是否装有机械连接件，均可对信号转换器进行编程。

快速设置（下面所有数值均为举例）

应用：二氧化碳：

- 将设备连接到电源（参阅“电气安装/连接”一节）。
- 连接 \rightarrow 3 次。

AKS 4100 快速设置?	
是	否

- 按下 \rightarrow

AKS 4100 探头类型	
线缆式	

- 按下 \downarrow 或 \uparrow ，，在 SINGLE（电缆形式），COAXIAL（同轴形式）D14 或 COAXIAL（同轴形式）D22 之间选择一项。
按下 \rightarrow 以示确认。

AKS 4100 液体CO ₂ ?	
是	否

- 按下 \rightarrow （YES）以示确认

AKS 4100 气相Er	
001.000	

- 按下 \rightarrow 更改 GAS EPS. R.
（从第8页的表格中选择正确的数值）
按下 \rightarrow 更改游标位置。
按下 \downarrow 调低数值，或者按 \uparrow 调高数值。

按下 \rightarrow 以示确认。

AKS 4100 探头长度	
05000 mm	

- 按下 \rightarrow 更改探头长度。
按下 \rightarrow 更改游标位置。
按下 \downarrow 调低数值，或者按 \uparrow 调高数值。
按下 \rightarrow 以示确认。

AKS 4100 4mA对应量程	
04946 mm	

- 按下 \rightarrow 更改标度 4 mA。
按下 \rightarrow 更改游标位置。
按下 \downarrow 调低数值，或者按 \uparrow 调高数值。
按下 \rightarrow 以示确认。

AKS 4100 20mA对应量程	
00070 mm	

- 按下 \rightarrow 更改标度 20 mA。
按下 \rightarrow 更改游标位置。
按下 \downarrow 调低数值，或者按 \uparrow 调高数值。
按下 \rightarrow 以示确认。

AKS 4100 快速设置 完成 8	
--------------------------	--

- 等待快速设置完成。倒数8秒

AKS 4100 1.0.0 快速设置	
---------------------------	--

- 按下 \rightarrow 以示确认。

AKS 4100 1.0.0 保存设置 NO	
------------------------------	--

- 按下 \downarrow 或 \uparrow ，在 STORE NO（保存否）和 STORE YES（保存是）之间进行选择。按下 \rightarrow 以示确认。

显示默认屏幕：

AKS 4100 距离	
5000 mm	

快速设置完成

您可以连接两次 \rightarrow ，以便对设置进行检查。

AKS 4100	
同轴套管式 D14	2200 mm
(0%) 4 mA	1900 mm
(100%) 20 mA	70 mm

按下 \leftarrow \rightarrow \leftarrow ，返回默认屏幕。

若使用其他制冷剂:

- 将设备连接到电源(参阅“电气安装/连接”一节)。
- 按下 \odot 3次。

AKS 4100
快速设置?
是 否

- 按下 \odot

AKS 4100
探头类型
线缆式

- 按下 \downarrow 或 \uparrow , 在SINGLE (电缆形式) 和 COAXIAL (同轴形式) 之间进行选择。选择 COAXIAL 并按下 \odot 以示确认。

AKS 4100
液体CO₂?
是 否

- 按下 \uparrow (NO) 以示确认

AKS 4100
探头长度
05000 mm

- 按下 \odot 更改探头长度。
按下 \odot 更改游标位置。
按下 \downarrow 调低数值, 或者按 \uparrow 调高数值。
按下 \odot 以示确认。

AKS 4100
4mA对应量程
04946 mm

- 按下 \odot 更改标度 4 mA。
按下 \odot 更改游标位置。
按下 \downarrow 调低数值, 或者按 \uparrow 调高数值。
按下 \odot 以示确认。

AKS 4100
20mA对应量程
00070 mm

- 按下 \odot 更改标度 20 mA。
按下 \odot 更改游标位置。
按下 \downarrow 调低数值, 或者按 \uparrow 调高数值。
按下 \odot 以示确认。

AKS 4100
快速设置
完成 8

- 等待快速设置完成。倒数8秒

AKS 4100
1.0.0
快速设置

- 按下 \odot 以示确认。

AKS 4100
1.0.0
保存设置 NO

- 按下 \downarrow 或 \uparrow , 在 STORE NO (保存 否) 和 STORE YES (保存 是) 之间进行选择。
按下 \odot 以示确认。

显示默认屏幕:

AKS 4100
距离
5000 mm

快速设置完成

如果强制 mA 输出（下面所有数值均为举例）

<p>默认屏幕</p> <div style="border: 1px solid black; padding: 5px; margin-bottom: 10px;">AKS 4100 距离 5000 mm</div> <ul style="list-style-type: none"> • 按下 <div style="border: 1px solid black; padding: 5px; margin-bottom: 10px;">AKS 4100 1.0.0 快速设置</div> <ul style="list-style-type: none"> • 按下 <div style="border: 1px solid black; padding: 5px; margin-bottom: 10px;">AKS 4100 2.0.0 操作员</div> <ul style="list-style-type: none"> • 按下 <div style="border: 1px solid black; padding: 5px; margin-bottom: 10px;">AKS 4100 2.0.0</div> <p>输入密码:</p> <div style="display: flex; justify-content: space-around; margin-bottom: 5px;"> </div> <div style="border: 1px solid black; padding: 5px;">AKS 4100 2.1.0 信息</div>	<ul style="list-style-type: none"> • 按下 <div style="border: 1px solid black; padding: 5px; margin-bottom: 10px;">AKS 4100 2.2.0 测试</div> <ul style="list-style-type: none"> • 按下 <div style="border: 1px solid black; padding: 5px; margin-bottom: 10px;">AKS 4100 2.2.1 测试电流</div> <ul style="list-style-type: none"> • 按下 <div style="border: 1px solid black; padding: 5px; margin-bottom: 10px;">AKS 4100 测试电流 3.5 mA</div> <ul style="list-style-type: none"> • 按下 调低数值，或者按下 调高数值。按下 以示确认。 <div style="border: 1px solid black; padding: 5px;">AKS 4100 测试电流 8 mA</div>	<ul style="list-style-type: none"> • 按下 4次返回默认屏幕。 <p>显示默认屏幕</p> <div style="border: 1px solid black; padding: 5px; margin-bottom: 10px;">AKS 4100 距离 5000 mm</div> <p>强制 mA 完成并禁用</p>
---	--	---

可选步骤

若已知立管的温度条件，可以输入一个常数(制冷剂气体的介电常数)(参数 2.5.3 GAS EPS. R)，以降低顶端和底端死区的数值(参阅图6)

如何输入制冷剂气体的介电常数（以下所有数值均为举例）

<p>默认屏幕</p> <div style="border: 1px solid black; padding: 5px; margin-bottom: 10px;">AKS 4100 距离 5000 mm</div> <ul style="list-style-type: none"> • 按下 <div style="border: 1px solid black; padding: 5px; margin-bottom: 10px;">AKS 4100 1.0.0 快速设置</div> <ul style="list-style-type: none"> • 按下 <div style="border: 1px solid black; padding: 5px; margin-bottom: 10px;">AKS 4100 2.0.0 操作员</div> <ul style="list-style-type: none"> • 按下 <div style="border: 1px solid black; padding: 5px; margin-bottom: 10px;">AKS 4100 2.0.0</div> <p>输入密码:</p> <div style="display: flex; justify-content: space-around; margin-bottom: 5px;"> </div> <div style="border: 1px solid black; padding: 5px;">AKS 4100 2.1.0 信息</div>	<ul style="list-style-type: none"> • 按下 4次 <div style="border: 1px solid black; padding: 5px; margin-bottom: 10px;">AKS 4100 2.5.0 工况参数</div> <ul style="list-style-type: none"> • 按下 <div style="border: 1px solid black; padding: 5px; margin-bottom: 10px;">AKS 4100 2.5.1 追從速度</div> <ul style="list-style-type: none"> • 按下 2次 <div style="border: 1px solid black; padding: 5px; margin-bottom: 10px;">AKS 4100 2.5.3 气相Er</div> <ul style="list-style-type: none"> • 按下 ，以便检查/修改 GAS EPS. R。 (从下表和第8页的表格中选择正确的数值) 按下 更改游标位置。按下 调低数值， 或 者按调高数值。 <div style="border: 1px solid black; padding: 5px;">AKS 4100 气相Er 1.066</div>	<ul style="list-style-type: none"> • 按下 以示确认。 <div style="border: 1px solid black; padding: 5px; margin-bottom: 10px;">AKS 4100 2.5.3 气相Er</div> <ul style="list-style-type: none"> • 按下 3次 <div style="border: 1px solid black; padding: 5px; margin-bottom: 10px;">AKS 4100 1.0.0 保存设置 NO</div> <ul style="list-style-type: none"> • 按下 或 ，在STORE NO（保存 否） 和STORE YES（保存 是）之间进行选择。 按下 3选择STORE YES（保存 是） <p>显示默认屏幕:</p> <div style="border: 1px solid black; padding: 5px; margin-bottom: 10px;">AKS 4100 距离 5000 mm</div> <p>输入制冷剂气体的介电常数</p>
---	---	---

R717 (氨)

温度范围:
-60 – 50 °C / -76 – 122 °F

温度 [°C]	温度 [°F]	制冷剂气体的介电常数 参数 2.5.3 GAS EPS. R
-60 – -42	-76 – -43	1.00
-41 – -18	42 – 0	1.01
-17 – -5	1 – 23	1.02
-4 – 4	24 – 39	1.03
5 – 12	40 – 54	1.04
13 – 18	55 – 64	1.05
19 – 24	65 – 75	1.06
25 – 28	76 – 82	1.07
29 – 33	83 – 91	1.08
34 – 37	92 – 99	1.09
38 – 40	100 – 104	1.10
41 – 44	105 – 111	1.11
45 – 47	112 – 117	1.12
48 – 50	118 – 122	1.13

R22

温度范围:
-60 – 48 °C / -76 – 118 °F

温度 [°C]	温度 [°F]	制冷剂气体的介电常数 参数 2.5.3 GAS EPS. R
-60 – -50	-76 – -58	1.00
-49 – -25	57 – -13	1.01
-24 – -10	-12 – 14	1.02
-9 – 0	15 – 32	1.03
1 – 8	33 – 46	1.04
9 – 15	47 – 59	1.05
16 – 21	60 – 70	1.06
22 – 26	71 – 79	1.07
27 – 31	80 – 88	1.08
32 – 35	89 – 95	1.09
36 – 39	96 – 102	1.10
40 – 42	103 – 108	1.11
43 – 45	109 – 113	1.12
46 – 48	114 – 118	1.13

R410A

温度范围:
-65 – 15 °C / -85 – 59 °F

温度 [°C]	温度 [°F]	制冷剂气体的介电常数 参数 2.5.3 GAS EPS. R
-65 – -47	-85 – -52	1.01
-46 – -35	-51 – -31	1.02
-34 – -26	-30 – -14	1.03
-25 – -19	-13 – -2	1.04
-18 – -13	-1 – 9	1.05
-12 – -8	10 – 18	1.06
-7 – -4	19 – 25	1.07
-3 – 0	26 – 32	1.08
1 – 4	33 – 40	1.09
5 – 7	41 – 45	1.10
8 – 10	46 – 50	1.11
11 – 12	51 – 54	1.12
13 – 15	55 – 59	1.13

R507

温度范围:
-60 – 15 °C / -76 – 59 °F

温度 [°C]	温度 [°F]	制冷剂气体的介电常数 参数 2.5.3 GAS EPS. R
-60 – -48	-76 – -54	1.01
-47 – -36	-53 – -32	1.02
-35 – -28	-31 – -18	1.03
-27 – -21	-17 – -6	1.04
-20 – -15	-17 – -5	1.05
-14 – -10	-4 – 14	1.06
-9 – -6	13 – 22	1.07
-5 – -2	23 – 29	1.08
-1 – 2	30 – 36	1.09
3 – 5	37 – 41	1.10
6 – 8	42 – 47	1.11
9 – 11	48 – 52	1.12
12 – 13	53 – 56	1.13
14 – 15	57 – 59	1.14

R744 (二氧化碳)

温度范围:
-56 – 15 °C / -69 – 59 °F

温度 [°C]	温度 [°F]	制冷剂气体的介电常数 参数 2.5.3 GAS EPS. R
-56.0 – -42.0	-69 – -43	1.01
-41.0 – -28.0	-42 – -18	1.02
-27.0 – -17.0	-17 – 2	1.03
-16.0 – -9.0	3 – 16	1.04
-8.0 – -3.0	17 – 27	1.05
-2.0 – 2	28 – 36	1.06
3 – 7	37 – 45	1.07
8 – 11	46 – 52	1.08
12 – 14	53 – 58	1.09
15	59	1.10

R134a

温度范围:
-60 – 50 °C / -76 – 122 °F

温度 [°C]	温度 [°F]	制冷剂气体的介电常数 参数 2.5.3 GAS EPS. R
-60 – -42	-76 – -43	1.00
-41 – -18	-42 – 0	1.01
-17 – -4	1 – 25	1.02
-3 – 5	26 – 41	1.03
6 – 13	42 – 56	1.04
14 – 20	57 – 68	1.05
21 – 25	69 – 77	1.06
26 – 30	78 – 86	1.07
31 – 34	87 – 94	1.08
35 – 38	95 – 100	1.09
39 – 42	101 – 108	1.10
43 – 45	109 – 113	1.11
46 – 48	114 – 119	1.12
49 – 50	120 – 122	1.13

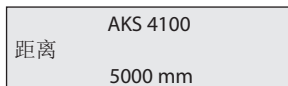
R404A

温度范围:
-60 – 15 °C / -76 – 59 °F

温度 [°C]	温度 [°F]	制冷剂气体的介电常数 参数 2.5.3 GAS EPS. R
-60 – -47	-76 – -52	1.01
-46 – -35	-51 – -31	1.02
-34 – -26	-30 – -14	1.03
-25 – -19	-13 – -2	1.04
-18 – -14	-1 – 7	1.05
-13 – -9	8 – 16	1.06
-8 – -4	17 – 25	1.07
-3 – 0	26 – 32	1.08
1 – 3	33 – 38	1.09
4 – 6	39 – 43	1.10
7 – 9	44 – 49	1.11
10 – 12	50 – 54	1.12
13 – 15	55 – 59	1.13

如何修改语言设置 (默认: 英文)

默认屏幕



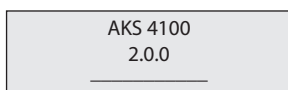
• 按下



• 按下



• 按下



输入密码:



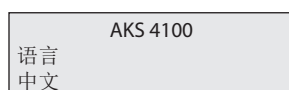
• 按下 6次



• 按下



• 按下



• 按下 或 查看语言选项
按下 以示确认。

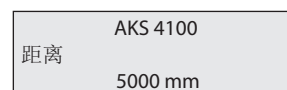


• 连接 3次



• 按下 或 , 在 STORE NO (保存 否) 和 STORE YES (保存 是) 之间进行选择。
按下 选择 STORE YES (保存 是)

显示默认屏幕:



语言设置完成

重置为出厂设定

- 进入SUPERVISOR (查看) 菜单 (参见第7页)
- 进入参数2.9.4 恢复出厂设置
- 选择RESET FACTORY YES (恢复出厂设置: 是)
- 按下 三次, 返回默认屏幕

恢复出厂完成

日本語



AKS 4100/4100Uは必ず直立管(柱/パイプ/静止筒)に設置するようにしてください。直立管は以下の場合に使用されます:

- AKS 4100用の整備
- タンク内にアワが多くある場合
- 液体が非常に激しく乱れている場合

HMI 付きまたはなしの AKS 4100/4100U 同軸バージョンは、CO₂ に使用しない場合は動作設定を変更する必要はありません。

プリセット:
4 mAプローブ長 - 100 mm (4 インチ)
20 mA120 mm (5 インチ)

冷媒

AKS 4100/4100U は、特にR744 (CO₂)、R717 (アンモニア)、HCFC、HFCといった最も広く使用されている冷媒や非腐食性ガス/液体のレベルを計測するために設計されています。

基本データ

AKS 4100/4100U は、ループ給電のパスシブ2線4~20 mA センサーです。

供給電圧
端子における最大出力 22 mA における最小/最大値

負荷
RL [Ω] ≤ ((Uext - 14 V) / 20 mA).
- デフォルト (エラー出力は 3.6 mA に設定)
RL [Ω] ≤ ((Uext - 14 V) / 22 mA).
- (エラー出力は 22 mA に設定)

ケーブルグランド
AKS 4100 PG 13, M20×1.5;
(ケーブル径:
6~8 mm (0.24~0.31インチ))
AKS 4100U 1/2 インチ NPT

端子 (バネ懸架式)
0.5~1.5 mm² (~20-15 AWG)

保護構造
IP 67 (~NEMA タイプ 4X)

冷媒温度
-60 - 100 °C / -76 - 212 °F

冷媒
リストにある冷媒は Danfoss が認定したものです:
R717 / NH₃: -40 - 50 °C / -40 - 122 °F
R744 / CO₂: -50 - 15 °C / -58 - 59 °F

HCFC:
R22: -50 - 48 °C / -58 - 118 °F

HFC:
R404A: -50 - 15 °C / -58 - 59 °F
R410A: -50 - 15 °C / -58 - 59 °F
R134A: -40 - 50 °C / -40 - 122 °F

周囲温度
-40 - 80 °C / -40 - 175 °F
HMI の場合: -20 - 60 °C / -4 - 140 °F

処理圧力
-1 - 100 barg / -14.5 - 1450 psig

5 m (197 インチ) Ø2 mm (0.08 インチ) ステンレスケーブルによる機械プロセス接続部:
AKS 4100 G1 インチ管ネジ。
アルミニウム製ガスケット付属
AKS 4100U 3/4 インチ NPT

(詳細は技術カタログを参照)

機械設置

機械設置前の準備

信号変換器を機械プロセス接続部から外します (5 mm 六角レンチを使用。図 6 を参照)。赤色の保護カバーを機械プロセス接続部に取り付けて湿気やほこりから保護します。

付属品の内容 (図 1)

- ① 信号変換器 (HMI がある場合とない場合があります)
- ② 5 m (197 インチ) Ø2 mm (0.08 インチ) ステンレスケーブルによる機械プロセス接続部
- ③ チューブ
- ④ バッグ内容:
エンドコネクタ (3 mm の取り付けネジ含む)
3 mm の取り付けネジ (チューブ 1 本につきネジ 1 本)
信号コンバータを取り付ける前に機械プロセス接続部②を保護するための赤色のカバー
設定ラベル

分割されている同軸プローブの組立



ステンレスワイヤが完全に曲がったり折れたりしないように注意してください。

1. ステンレスワイヤの端を各チューブの上にあるプラスチック製スペーサーの中央の穴に通します (図 2 を参照)。ステンレスワイヤの全体をチューブに通して下から出します。チューブが複数ある場合にはこの手順を繰り返します。
2. チューブ ① と ② を組み立てます (図 3 を参照)。17 mm レンチを組み立てた部品を固定します。
3. チューブが複数ある場合にはこの手順を繰り返します (図 3 を参照)。
4. 組み立てる前に、信号コンバータと機械プロセス接続部を外し、機械プロセス接続部に赤い保護キャップを取り付けます。組み立てたチューブを機械プロセス接続部 ② にねじ込みます。
5. 取り付けネジ ④ を 3 mm 六角レンチで締め、各チューブを固定します (図 3 を参照)。
6. エンドコネクタを通してステンレスワイヤを引っ張ります (図 4 を参照)。
7. エンドコネクタを組み立てたチューブの下に取り付けます。取り付けネジを 3 mm 六角レンチで締め付けます (図 4 を参照)。
8. エンドコネクタから伸びるステンレスワイヤの端をプライヤーで引っ張り (図 4)、信号ケーブルが適切に張られていることを確認します。2 本の取り付けネジを 3 mm 六角レンチで締め、ステンレスワイヤを固定します。
9. ステンレスワイヤをエンドコネクタの下約 20 mm (0.8 インチ) で切断します (図 5 を参照)。
10. (信号コンバータなしの) プローブ長を、組み立てたプローブを直立管に取り付ける前に測定します (図 6 を参照)。トルクレンチを使用して、機械プロセス接続部 (図 1 の項目 2) を 120 Nm (89 lb/ft) まで締め付けます。

工場出荷時の設定に戻す必要がある場合

HMI クイック セットアップのプローブ長、スケール 4 mA および 20 mA

プローブ長:
Danfoss 製品のラベルにあるプローブ長を参考にするか、プローブ長を計測します (図 6 を参照)。

スケール 4 mA: (最大計測範囲の場合)
= プローブ長
- 下部デッドゾーン (図 6 を参照)

スケール 20 mA: (最大計測範囲の場合)
= 上部デッドゾーン (図 6 を参照)

例 (AKS 4100)

条件:
プローブ長: 1200 mm
冷媒: CO₂, -35 °C
ガス定数 Er は必ずクイックセットアップで調整

プローブ長:
= 1200 mm
SCALE 4 mA 設定の最大計測範囲:
= プローブ長 (1200 mm)
- 下部デッドゾーン (図 6 を参照)
(170 mm) = 1030 mm (40.9 インチ)

SCALE 20 mA 設定の最大計測範囲:
= 上部デッドゾーン (図 6 を参照)
= 120 mm (4.7 インチ)

8 ページより:
冷媒ガスの誘電率パラメータ 2.5.3 GAS
EPS.R
= 1.02

AKS 4100/4100U コンバータの取り付け方法 (図 7 を参照)

1. 信号変換器の位置決めネジと通気ネジを 5 mm の六角レンチで外してください。
2. 信号変換器を下方向に止まるまで押し込み、機械プロセス接続部と確実に吻合させます。
3. 信号変換器を希望する向きに回します。
4. 位置決めネジを 5 mm の六角レンチで締め付けてください。
5. 通気ネジを 5 mm の六角レンチで締め付けてください。

電気接続

出力端子 (図 8 および 9)

1. 電流出力 -
2. 電流出力 +
3. 接地端子

電気接続の手順

1. 2.5 mm 六角レンチを使用してカバー止めを緩めます。
2. 筐体から端子部品カバーを取り外します。
3. ワイヤは端子部品カバーから外してはなりません。筐体の横に端子部品カバーを置きます。
4. ワイヤを装置に接続します。ケーブル入口金物を締め付けます。
5. 端子部品カバーを筐体に取り付けます。
6. 2.5 mm 六角レンチを使用してカバー止めを緩めます。

注:
信号コンバータは、機械プロセスコネクタ付き、またはなしでプログラムすることができます。

起動:

- コンバータを電点到に接続します。
- コンバータに通電します。

HMI ディスプレイ オプションのある装置のみ:

10 秒後に「Starting up」と画面に表示されます。20 秒後にソフトウェアのバージョン番号が画面に表示されます。30 秒後にデフォルト画面 (図 13) が表示されます。

AKS 41/41U から AKS 4100/4100U に変更するときの注意点:

注意してください: AKS 41/41U は交流および直流電源で使用できますが、AKS 4100/4100U は直流電源でのみ使用できます。図 10 の説明に従ってください。

コントローラまたは PLC への接続

図 11 または 12 の説明に従ってください。



注:
AKS 4100/4100 が マーカー 1、2、3 のようなエラーを検知した場合には、電流出力は 3.6 mA に設定されます (4 ページ参照)。

クイックセットアップ→

注:
信号コンバータは、機械プロセスコネクタ付き、またはなしでプログラムすることができます。

高速設置 (以下の値はすべて一例です)

CO₂ を使用する場合:

<ul style="list-style-type: none"> 装置を電源に接続します (「電気接続」のセクションを参照してください)。 ➡ を 3 回押します。 <div style="border: 1px solid black; padding: 5px; margin: 5px;"> AKS 4100 クイックセットアップ? はい いいえ </div> ➡ を押します。 <div style="border: 1px solid black; padding: 5px; margin: 5px;"> AKS 4100 プローブタイプ ケーブル式 </div> ▼ または ▲ を押して、「シングルケーブル式」、「同軸式 D14」、または「同軸式 D22」を選択します。「パイプ式 D14」を選択し、⬅ を押して確定します。 <div style="border: 1px solid black; padding: 5px; margin: 5px;"> AKS 4100 液体 CO₂? はい いいえ </div> ➡ (確認実行) を押して確定します。 <div style="border: 1px solid black; padding: 5px; margin: 5px;"> AKS 4100 気相 Er? 001.000 </div> ➡ を押して「ガス誘電率」に変更します。(以下の表および 8 ページの表から正しい値を選択します) ➡ を押してカーソルの位置を変更します。 ▼ を押して値を減らすか、▲ を押して値を増やします。 	<ul style="list-style-type: none"> ⬅ を押して確定します。 <div style="border: 1px solid black; padding: 5px; margin: 5px;"> AKS 4100 プローブ長さ 05000 mm </div> ➡ を押して「プローブ長さ」に変更します。 ➡ を押してカーソルの位置を変更します。 ▼ を押して値を減らすか、▲ を押して値を増やします。 ⬅ を押して確定します。 <div style="border: 1px solid black; padding: 5px; margin: 5px;"> AKS 4100 4mA位置 04946 mm </div> ➡ を押して「4mA位置」に変更します。 ➡ を押してカーソルの位置を変更します。 ▼ を押して値を減らすか、▲ を押して値を増やします。 ⬅ を押して確定します。 <div style="border: 1px solid black; padding: 5px; margin: 5px;"> AKS 4100 20mA位置 00070 mm </div> ➡ を押して「20mA位置」に変更します。 ➡ を押してカーソルの位置を変更します。 ▼ を押して値を減らすか、▲ を押して値を増やします。 ⬅ を押して確定します。 	<ul style="list-style-type: none"> <div style="border: 1px solid black; padding: 5px; margin: 5px;"> AKS 4100 クイックセットアップ コンプリート8 </div> クイックセットアップが完了するまで 8 秒間待ちます。 <div style="border: 1px solid black; padding: 5px; margin: 5px;"> AKS 4100 1.0.0 クイックセットアップ? </div> ⬅ を押して確定します。 <div style="border: 1px solid black; padding: 5px; margin: 5px;"> AKS 4100 1.0.0 保存中止 </div> ▼ または ▲ を押して「保存中止」または「保存」のいずれかを選択します。 ⬅ を押して確定します。 <p>デフォルト画面が表示されます:</p> <div style="border: 1px solid black; padding: 5px; margin: 5px;"> AKS 4100 距離 5000 mm </div> <p>クイックセットアップ完了</p> <ul style="list-style-type: none"> ➡ を 2 回押して設定を確認することができます。 <div style="border: 1px solid black; padding: 5px; margin: 5px;"> AKS 4100 パイプ式 D14 2200 mm (0%) 4 mA 1900 mm (100%) 20 mA 70 mm </div> <p>⬅ ▲ ⬅ を押してデフォルト画面に戻ります。</p>
--	--	--

その他すべての冷媒

- 装置を電源に接続します（「電気接続」のセクションを参照してください）。

- ➡️ を 3 回押します。

AKS 4100
クイックセットアップ
はい いいえ

- ➡️ を押します。

AKS 4100
プローブタイプ
ケーブル式

- ⏴ または ⏵ を押して、「ケーブル式」、「パイプ式D14」、または「パイプ式D22」を選択します。「パイプ式D14」を選択し、⏴ を押して確定します。

AKS 4100
液体CO₂?
はい いいえ

- ⏴ (確認中止) を押して確定します。

AKS 4100
プローブ長さ
05000 mm

- ➡️ を押して「プローブ長さ」に変更します。
- ➡️ を押してカーソルの位置を変更します。
- ⏴ を押して値を減らすか、⏵ を押して値を増やします。
- ⏴ を押して確定します。

AKS 4100
4mA位置
04946 mm

- ➡️ を押して「4mA位置」に変更します。
- ➡️ を押してカーソルの位置を変更します。
- ⏴ を押して値を減らすか、⏵ を押して値を増やします。
- ⏴ を押して確定します。

AKS 4100
20mA位置
00070 mm

- ➡️ を押して「20mA位置」に変更します。
- ➡️ を押してカーソルの位置を変更します。
- ⏴ を押して値を減らすか、⏵ を押して値を増やします。
- ⏴ を押して確定します。

AKS 4100
クイックセットアップ
コンプリート8

- 高速設置が完了するまで待ちます。8 秒間カウントダウンされます。

AKS 4100
1.0.0
クイックセットアップ?

- ⏴ を押して確定します。

AKS 4100
1.0.0
保存中止

- ⏴ または ⏵ を押して「保存中止」または「保存実行」のいずれかを選択します。
- ⏴ を押して確定します。

デフォルト画面が表示されます:

AKS 4100
距離
5000 mm

クイックセットアップ完了

強制的に mA 出力にするには (以下の値はすべて一例です)

<p>デフォルト画面</p> <div style="border: 1px solid black; padding: 5px; margin-bottom: 10px;"> AKS 4100 距離 5000 mm </div> <ul style="list-style-type: none"> ➡ を押します。 <div style="border: 1px solid black; padding: 5px; margin-bottom: 10px;"> AKS 4100 1.0.0 クイックセットアップ </div> <ul style="list-style-type: none"> ⬆ を押します。 <div style="border: 1px solid black; padding: 5px; margin-bottom: 10px;"> AKS 4100 2.0.0 スーパーバイザー </div> <ul style="list-style-type: none"> ➡ を押します。 <div style="border: 1px solid black; padding: 5px; margin-bottom: 10px;"> AKS 4100 2.0.0 </div> <p>パスワードを入力します:</p> <p>➡ ⬅ ⬇ ⬆ ⬇ ⬆</p> <div style="border: 1px solid black; padding: 5px;"> AKS 4100 2.1.0 インフォメーション </div>	<ul style="list-style-type: none"> ⬆ を押します。 <div style="border: 1px solid black; padding: 5px; margin-bottom: 10px;"> AKS 4100 2.2.0 テスト </div> <ul style="list-style-type: none"> ➡ を押します。 <div style="border: 1px solid black; padding: 5px; margin-bottom: 10px;"> AKS 4100 2.2.1 出力設定 </div> <ul style="list-style-type: none"> ➡ を押します。 <div style="border: 1px solid black; padding: 5px; margin-bottom: 10px;"> AKS 4100 出力設定 3.5 mA </div> <ul style="list-style-type: none"> ⬇ を押して値を減らすか、⬆ を押して値を増やします。 ⬆ を押して確定します。 <div style="border: 1px solid black; padding: 5px;"> AKS 4100 出力設定 8 mA </div>	<ul style="list-style-type: none"> ⬆ を 4 回押してデフォルト画面に戻ります。 <p>デフォルト画面が表示されます:</p> <div style="border: 1px solid black; padding: 5px;"> AKS 4100 距離 5000 mm </div>
--	---	--

オプションの手順

直立管の温度条件を理解している場合には、定数 (冷媒ガスの誘電率) を入力 (パラメータ 2.5.3 ガス誘電率) して、上部および下部デッドゾーンの下限值を得ることができます (図 6 を参照)。

冷媒ガスの誘電率の入力方法 (以下の値はすべて一例です)

<p>デフォルト画面</p> <div style="border: 1px solid black; padding: 5px; margin-bottom: 10px;"> AKS 4100 距離 5000 mm </div> <ul style="list-style-type: none"> ➡ を押します。 <div style="border: 1px solid black; padding: 5px; margin-bottom: 10px;"> AKS 4100 1.0.0 クイックセットアップ </div> <ul style="list-style-type: none"> ⬆ を押します。 <div style="border: 1px solid black; padding: 5px; margin-bottom: 10px;"> AKS 4100 2.0.0 スーパーバイザー </div> <ul style="list-style-type: none"> ➡ を押します。 <div style="border: 1px solid black; padding: 5px; margin-bottom: 10px;"> AKS 4100 2.0.0 </div> <p>パスワードを入力します:</p> <p>➡ ⬅ ⬇ ⬆ ⬇ ⬆</p> <div style="border: 1px solid black; padding: 5px;"> AKS 4100 2.1.0 インフォメーション </div>	<ul style="list-style-type: none"> ⬆ を 4 回押します。 <div style="border: 1px solid black; padding: 5px; margin-bottom: 10px;"> AKS 4100 2.5.0 アプリケーション </div> <ul style="list-style-type: none"> ➡ を押します。 <div style="border: 1px solid black; padding: 5px; margin-bottom: 10px;"> AKS 4100 2.5.1 追従速度 </div> <ul style="list-style-type: none"> ⬆ を 2 回押します。 <div style="border: 1px solid black; padding: 5px; margin-bottom: 10px;"> AKS 4100 2.5.3 ガス誘電率 </div> <ul style="list-style-type: none"> ➡ を押して「ガス誘電率」を確認/変更します。 (以下の表および 8 ページの表から正しい値を選択します) ➡ を押してカーソルの位置を変更します。 ⬇ を押して値を減らすか、⬆ を押して値を増やします。 <div style="border: 1px solid black; padding: 5px;"> AKS 4100 ガス誘電率 1.066 </div>	<ul style="list-style-type: none"> ⬆ を押して確定します。 <div style="border: 1px solid black; padding: 5px; margin-bottom: 10px;"> AKS 4100 2.5.3 ガス誘電率 </div> <ul style="list-style-type: none"> ⬆ を 3 回押します。 <div style="border: 1px solid black; padding: 5px; margin-bottom: 10px;"> AKS 4100 1.0.0 保存中止 </div> <ul style="list-style-type: none"> ⬇ または ⬆ を押して「保存中止」または「保存」を選択します。 ⬆ を押して「保存」を選択します。 <p>デフォルト画面が表示されます:</p> <div style="border: 1px solid black; padding: 5px;"> AKS 4100 距離 5000 mm </div> <p>冷媒ガスの誘電率の入力が完了</p>
--	--	---

飽和蒸気誘電率 (デフォルト値:1.066)

R717 (NH₃)

温度範囲:
-60 – 50 °C / -76 – 122 °F

温度 [°C]	温度 [°F]	冷媒ガスの誘電率パ ラメータ 2.5.3 GAS EPS.R
-60 – -42	-76 – -43	1.00
-41 – -18	42 – 0	1.01
-17 – -5	1 – 23	1.02
-4 – 4	24 – 39	1.03
5 – 12	40 – 54	1.04
13 – 18	55 – 64	1.05
19 – 24	65 – 75	1.06
25 – 28	76 – 82	1.07
29 – 33	83 – 91	1.08
34 – 37	92 – 99	1.09
38 – 40	100 – 104	1.10
41 – 44	105 – 111	1.11
45 – 47	112 – 117	1.12
48 – 50	118 – 122	1.13

R22

温度範囲:
-60 – 48 °C / -76 – 118 °F

温度 [°C]	温度 [°F]	冷媒ガスの誘電率パ ラメータ 2.5.3 GAS EPS.R
-60 – -50	-76 – -58	1.00
-49 – -25	57 – -13	1.01
-24 – -10	-12 – 14	1.02
-9 – 0	15 – 32	1.03
1 – 8	33 – 46	1.04
9 – 15	47 – 59	1.05
16 – 21	60 – 70	1.06
22 – 26	71 – 79	1.07
27 – 31	80 – 88	1.08
32 – 35	89 – 95	1.09
36 – 39	96 – 102	1.10
40 – 42	103 – 108	1.11
43 – 45	109 – 113	1.12
46 – 48	114 – 118	1.13

R410A

温度範囲:
-65 – 15 °C / -85 – 59 °F

温度 [°C]	温度 [°F]	冷媒ガスの誘電率パ ラメータ 2.5.3 GAS EPS.R
-65 – -47	-85 – -52	1.01
-46 – -35	-51 – -31	1.02
-34 – -26	-30 – -14	1.03
-25 – -19	-13 – -2	1.04
-18 – -13	-1 – 9	1.05
-12 – -8	10 – 18	1.06
-7 – -4	19 – 25	1.07
-3 – 0	26 – 32	1.08
1 – 4	33 – 40	1.09
5 – 7	41 – 45	1.10
8 – 10	46 – 50	1.11
11 – 12	51 – 54	1.12
13 – 15	55 – 59	1.13

R507

温度範囲:
-60 – 15 °C / -76 – 59 °F

温度 [°C]	温度 [°F]	冷媒ガスの誘電率パ ラメータ 2.5.3 GAS EPS.R
-60 – -48	-76 – -54	1.01
-47 – -36	-53 – -32	1.02
-35 – -28	-31 – -18	1.03
-27 – -21	-17 – -6	1.04
-20 – -15	-17 – -5	1.05
-14 – -10	-4 – 14	1.06
-9 – -6	13 – 22	1.07
-5 – -2	23 – 29	1.08
-1 – 2	30 – 36	1.09
3 – 5	37 – 41	1.10
6 – 8	42 – 47	1.11
9 – 11	48 – 52	1.12
12 – 13	53 – 56	1.13
14 – 15	57 – 59	1.14

R744 (CO₂)

温度範囲:
-56 – 15 °C / -69 – 59 °F

温度 [°C]	温度 [°F]	冷媒ガスの誘電率パ ラメータ 2.5.3 GAS EPS.R
-56.0 – -42.0	-69 – -43	1.01
-41.0 – -28.0	-42 – -18	1.02
-27.0 – -17.0	-17 – 2	1.03
-16.0 – -9.0	3 – 16	1.04
-8.0 – -3.0	17 – 27	1.05
-2.0 – 2	28 – 36	1.06
3 – 7	37 – 45	1.07
8 – 11	46 – 52	1.08
12 – 14	53 – 58	1.09
15	59	1.10

R134a

温度範囲:
-60 – 50 °C / -76 – 122 °F

温度 [°C]	温度 [°F]	冷媒ガスの誘電率パ ラメータ 2.5.3 GAS EPS.R
-60 → -42	-76 → -43	1.00
-41 → -18	-42 → 0	1.01
-17 → -4	1 → 25	1.02
-3 → 5	26 → 41	1.03
6 → 13	42 → 56	1.04
14 → 20	57 → 68	1.05
21 → 25	69 → 77	1.06
26 → 30	78 → 86	1.07
31 → 34	87 → 94	1.08
35 → 38	95 → 100	1.09
39 → 42	101 → 108	1.10
43 → 45	109 → 113	1.11
46 → 48	114 → 119	1.12
49 → 50	120 → 122	1.13

R404A

温度範囲:
-60 – 15 °C / -76 – 59 °F

温度 [°C]	温度 [°F]	冷媒ガスの誘電率パ ラメータ 2.5.3 GAS EPS.R
-60 – -47	-76 – -52	1.01
-46 – -35	-51 – -31	1.02
-34 – -26	-30 – -14	1.03
-25 – -19	-13 – -2	1.04
-18 – -14	-1 – 7	1.05
-13 – -9	8 – 16	1.06
-8 – -4	17 – 25	1.07
-3 – 0	26 – 32	1.08
1 – 3	33 – 38	1.09
4 – 6	39 – 43	1.10
7 – 9	44 – 49	1.11
10 – 12	50 – 54	1.12
13 – 15	55 – 59	1.13

言語設定の変更方法 (デフォルト:日本語)

デフォルト画面

AKS 4100
距離
5000 mm

- を押します。

AKS 4100
1.0.0
クイックセットアップ

- を押します。

AKS 4100
2.0.0
スーパーバイザー

- を押します。

AKS 4100
2.0.0

パスワードを入力します:

AKS 4100
2.1.0
インフォメーション

- を 6 回押します。

AKS 4100
2.7.0
表示

- を押します。

AKS 4100
2.7.1
言語

- を押します。

AKS 4100
言語
日本語

- または を押して言語の選択肢を表示します。
 を押して確定します。

AKS 4100
2.7.1
言語

- を 3 回押します。

AKS 4100
1.0.0
保存中止

- または を押して「保存中止」または「保存」を選択します。
 を押して「保存実行」を選択します。
デフォルト画面が表示されます:

AKS 4100
距離
5000 mm

言語設定完了

工場出荷時の設定にリセットする

- 「スーパーバイザー」メニューに移動します (7 ページを参照)。
- パラメータ 2.9.4 の工場設定リセットに移動します。
- 「工場設定リセット」を選択します。
- を 3 回押してデフォルト画面に戻ります。

工場出荷時状態へのリセットが完了します。

РУССКИЙ



Уровнеме AKS 4100/4100U тросовой версии, всегда устанавливается на вертикальной трубе (измерительной колонке и т.д.). Установка в измерительную колонку необходима:

- Для обслуживания AKS 4100/4100U
- Если в сосуде происходит вспенивание.
- В случае турбулентности в сосуде.

AKS 4100/4100U коаксиальной версии с интерфейсом HMI или без него не требует настройки, в случае работы с CO₂ необходима настройка.

Заводская настройка:

4 мА : длина троса - 100 мм (4")

20 мА: 120 мм (5")

Хладагенты

AKS 4100/4100U специально разработан для применения со всеми широко распространёнными хладагентами, включая R744 (CO₂) и R717 (аммиак), HCFC, HFC, а также неагрессивными газами и жидкостями.

Основные тех. характеристики

AKS 4100/4100U это пассивный 2-проводной, уровнемер.

Питающее напряжение

14-30 В постоянного тока (мин./макс. величина) для тока 22 мА на выходе.

Нагрузка

RL [Ω] ≤ ((Uвнеш. - 14 В)/20 мА).

– По умолчанию (значение выходного сигнала, при котором выдаётся сообщение об ошибке, установлено на 3,6 мА)

RL [Ω] ≤ ((Uвнеш. - 14 В)/22 мА).

– (значение выходного сигнала, при котором выдаётся сообщение об ошибке, установлено на 22 мА)

Кабельный ввод

AKS 4100 PG 13, M20x1.5; (диаметр кабеля: 6-8 мм (0.24-0.31"))

AKS 4100U ½" NPT

Клеммы (с подпружиненными зажимами)

0.5-1.5 мм² (~20-15 AWG)

Степень защиты

IP 67 (~NEMA тип 4X)

Температура хладагента

-60 – 100 °C / -76 – 212 °F

Хладагенты

Использование данных уровнемеров с перечисленными далее хладагентами опробовано и одобрено компанией «Данфосс»:

R717 / NH₃: -40 – 50 °C / -40 – 122 °F

R744 / CO₂: -50 – 15 °C / -58 – 59 °F

HCFC:

R22: -50 – 48 °C / -58 – 118 °F

HFC:

R404A: -50 – 15 °C / -58 – 59 °F

R410A: -50 – 15 °C / -58 – 59 °F

R134A: -40 – 50 °C / -40 – 122 °F

Температура окружающей среды:

-40 – 80 °C / -40 – 175 °F

Для HMI: -20 – 60 °C / -4 – 140 °F

Рабочее давление:

от -1 изб. до 100 изб. (от -14.5 фунт/дюйм² до 1450 фунт/дюйм²)

Механическое соединение тросовой модификации 5 м (197") Ø2 (0.08")

AKS 4100 с трубной резьбой G1.

AKS 4100U с трубной резьбой ¾ in. NPT

Монтаж устройства

Подготовка к монтажу уровнемера
Отсоедините преобразователь сигнала от штуцера (используйте ключ на 5 мм,

см. Рис. 7). Штуцер закройте заглушкой, поставляемой в комплекте. Это позволит избежать

Комплектность (Рис. 1)

- ① Преобразователь сигнала (с или без HMI)
- ② Штуцер с 5 метровым тросом (5 м (197") Ø2мм (0.08")) из нержавеющей стали
- ③ Направляющие трубки.
- ④ Дополнительные принадлежности:
 - комплект винтов, размер 3 мм;
 - красная крышка, служащая для защиты соединительного штуцера②, до того момента, пока к нему не будет присоединён преобразователь сигналов;
 - бирка с данными по настройке датчика.

Сборка коаксиальных трубок.



Обратите внимание что трос не должен и меть замятой и перегибов, по всей своей длине.

1. Возьмите конец нержавеющей троса и пропустите через центральное отверстие направляющей (см.Рис. 2). Пропустите трос через всю длину трубки, если у вас более одной трубки повторите операцию.
2. Соедините трубки ① и ② (см.Рис. 3). Используйте ключ на 17 для затяжки.
3. Если у вас более одной трубки повторите операцию (см.Рис. 3).
4. После отсоединения преобразователя от штуцера, оденьте защитную заглушку, что бы предотвратить попадание грязи. Накрутите трубку ② штуцер.
5. Затяните на каждой трубке крепежные винты ④ используя 3 мм ключ (см.Рис. 3).
6. Проденьте трос через концевой соединитель (см.Рис.4).
7. Установите концевой соединитель на последнюю трубку. Затяните крепежный винт (см.Рис. 4).
8. При помощи пасатижей натяните трос с усилием указанным на Рис.4. Закрепите трос 2мя винтами, при помощи ключа.
9. Обрежьте трос отступив от концевого соединителя 20 мм (0.8") (см.Рис. 5).
10. Измерьте длину измерительной части уровнемера, без учета присоединительного штуцера. (см.Рис. 6). Используя манометрический ключ затените штуцер (Рис. 1, поз.2) с усилием 120 Нм.

Если необходима дополнительная настройка

Длина измерительной части, значения 4 мА и 20 мА необходимо провести быструю настройку через HMI.

Длина измерительной части:

Длину можно узнать из каталога или измерить (см.Рис. 6).

4 мА определение значения точки =

Максимальная измеряемая длина

– Нижняя мертвая зона (см.Рис. 6)

20 мА определение значения точки =

Верхняя мертвая зона (см.Рис. 6)

Пример (AKS 4100)

Дано:

Длина измеряемой части: 1200 мм

Хладагент: CO₂, -35 °C

Величина диэлектрической проницаемости (εr) всегда вводится через меню «Быстрая настройка»

Длина измеряемой части = 1200 мм:

4 мА определение значения точки =

= Длина измеряемой части (1200 мм)

– Нижняя мертвая зона (см.Рис. 6)

(170 мм) = 1030 мм (40.9")

20 мА определение значения точки =

= Верхняя мертвая точка (см.Рис. 6)

= 120 мм (4.7")

Используя таблицу на странице 8:

Диэлектрическая проницаемость.

Параметр 2.5.3 GAS EPS.R = 1.02

Установка преобразователя сигнала AKS 4100/4100U (см.Рис. 7)

1. Открутите крепежный и вентиляционный винты на преобразователе сигнала при помощи шестигранного ключа 5 мм.
2. Прижмите преобразователь сигнала, чтобы он плотно сидел на штуцере волновода.
3. Поверните преобразователь сигнала в требуемое положение.
4. Затяните крепежный винт шестигранным ключом 5 мм.
5. Затяните вентиляционный винт шестигранным ключом 5 мм.

Электрическое подключение

Выходные клеммы (Рис.8 и 9):

1. Выходной ток –
2. Выходной ток +
3. Клема заземления

Порядок электрического подключения

1. Ослабьте стопорный винт крышки при помощи ключа-шестигранника, имеющего размер 2,5 мм.
2. Снимите крышку от клеммной коробки. Положите крышку клеммной коробки рядом с корпусом.
3. Подключите провода к прибору. Затяните кабельный ввод.
4. Подключите провода к прибору. Затяните кабельный ввод.
5. Установите крышку клеммной коробки на корпус.
6. Затяните стопорный винт при помощи ключа-шестигранника, имеющего размер 2.5 мм

Обратите внимание:

Преобразователь сигнала можно настроить как в сборе со штуцером, так и отдельно.

Включение:

- Подсоедините питание.

Только для уровнемеров с HMI: После 10 секунд на дисплее отобразится "Starting up". А после 20 секунд на дисплее отобразится версия прошивки уровнемера. Через 30 секунд дисплей перейдет в рабочий режим (Рис. 13).

При замене AKS 41/41U на AKS 4100/4100U:

Внимание:

AKS 41/41U мог работать от двух типов питания AC и DC в свою очередь AKS 4100/4100U использует только тип DC. Пример подключения см.Рис.10.

Подключение к контроллеру или PLC

Следуйте инструкциям на Рис. 11 or 12.



Внимание:

В случае если AKS 4100/4100U во время работы обнаружит ошибку и отобразит 1, 2 или 3 (см. стр. 4 пункт №5). То выходной сигнал будет равен 3.6 мА.

БЫСТРАЯ НАСТРОЙКА →

Проверка выходного сигнала mA (все значения приведены в качестве примера)

Начальное меню

AKS 4100
Дистанция
5000 mm

- Нажмите

AKS 4100
1.0.0
БЫСТРАЯ НАСТРОЙКА

- Нажмите

AKS 4100
2.0.0
Супервизор

- Нажмите

AKS 4100
2.0.0

Введите пароль:

AKS 4100
2.1.0
Информация

- Нажмите

AKS 4100
2.2.0
Тестирование

- Нажмите

AKS 4100
2.2.1
Тест вых.тока

- Нажмите

AKS 4100
Тест вых.тока
3.5 mA

- Нажмите или для изменения значения.

Нажмите для подтверждения

AKS 4100
Тест вых.тока
8 mA

- Нажмите 4 раза для возврата в рабочее меню уровнемера.

Начальное меню:

AKS 4100
Дистанция
5000 mm

Проверка выходного сигнала закончена и отключена.

Дополнительная настройка

Если известны температурные условия в трубе, то может быть введена величина диэлектрической проницаемости хладагента (параметр 2.5.3 GAS EPS.R). Это поможет сократить размеры верхней и нижней мёртвых зон

Введение величины диэлектрической проницаемости (все величины приведены ниже только в качестве примера)

Начальное меню

AKS 4100
Дистанция
5000 mm

- Нажмите

AKS 4100
1.0.0
БЫСТРАЯ НАСТРОЙКА

- Нажмите

AKS 4100
2.0.0
Супервизор

- Нажмите

AKS 4100
2.0.0

Введите пароль:

AKS 4100
2.1.0
Информация

- Нажмите 4 раза

AKS 4100
2.5.0
Применение

- Нажмите

AKS 4100
2.5.1
Скор.слежения

- Нажмите 2 раза

AKS 4100
2.5.3
Er газа

- Нажмите чтобы изменить величину диэлектрической проницаемости (Er газа). Выберите соответствующую величину из таблиц на стр. 7 и 8
- Нажмите для изменения положения курсора.
- Нажмите или для изменения значения.

AKS 4100
Er газа
1.066

- Нажмите для подтверждения .

AKS 4100
2.5.3
Er газа

- Нажмите 3 раза .

AKS 4100
1.0.0
Сохранить НЕТ

- Нажмите или для выбора Сохранить НЕТ или Сохранить ДА. Нажмите для подтверждения .

Появится экран со значениями по умолчанию:

AKS 4100
Дистанция
5000 mm

Введение величины диэлектрической проницаемости закончено.

Диэлектрическая проницаемость насыщенного пара (величина, принятая по умолчанию: 1,006)

R717 (NH₃)

Температурный диапазон:
-60 – 50 °C / -76 – 122 °F

Температура [°C]	Температура [°F]	Диэлектрическая проницаемость. Параметр 2.5.3 GAS EPS.R
-60 – -42	-76 – -43	1.00
-41 – -18	42 – 0	1.01
-17 – -5	1 – 23	1.02
-4 – 4	24 – 39	1.03
5 – 12	40 – 54	1.04
13 – 18	55 – 64	1.05
19 – 24	65 – 75	1.06
25 – 28	76 – 82	1.07
29 – 33	83 – 91	1.08
34 – 37	92 – 99	1.09
38 – 40	100 – 104	1.10
41 – 44	105 – 111	1.11
45 – 47	112 – 117	1.12
48 – 50	118 – 122	1.13

R22

Температурный диапазон:
-60 – 48 °C / -76 – 118 °F

Температура [°C]	Температура [°F]	Диэлектрическая проницаемость. Параметр 2.5.3 GAS EPS.R
-60 – -50	-76 – -58	1.00
-49 – -25	57 – -13	1.01
-24 – -10	-12 – 14	1.02
-9 – 0	15 – 32	1.03
1 – 8	33 – 46	1.04
9 – 15	47 – 59	1.05
16 – 21	60 – 70	1.06
22 – 26	71 – 79	1.07
27 – 31	80 – 88	1.08
32 – 35	89 – 95	1.09
36 – 39	96 – 102	1.10
40 – 42	103 – 108	1.11
43 – 45	109 – 113	1.12
46 – 48	114 – 118	1.13

R410A

Температурный диапазон:
-65 – 15 °C / -85 – 59 °F

Температура [°C]	Температура [°F]	Диэлектрическая проницаемость. Параметр 2.5.3 GAS EPS.R
-65 – -47	-85 – -52	1.01
-46 – -35	-51 – -31	1.02
-34 – -26	-30 – -14	1.03
-25 – -19	-13 – -2	1.04
-18 – -13	-1 – 9	1.05
-12 – -8	10 – 18	1.06
-7 – -4	19 – 25	1.07
-3 – 0	26 – 32	1.08
1 – 4	33 – 40	1.09
5 – 7	41 – 45	1.10
8 – 10	46 – 50	1.11
11 – 12	51 – 54	1.12
13 – 15	55 – 59	1.13

R507

Температурный диапазон:
-60 – 15 °C / -76 – 59 °F

Температура [°C]	Температура [°F]	Dielectric constant of refrigerant gas Parameter 2.5.3 GAS EPS.R
-60 – -48	-76 – -54	1.01
-47 – -36	-53 – -32	1.02
-35 – -28	-31 – -18	1.03
-27 – -21	-17 – -6	1.04
-20 – -15	-17 – -5	1.05
-14 – -10	-4 – 14	1.06
-9 – -6	13 – 22	1.07
-5 – -2	23 – 29	1.08
-1 – 2	30 – 36	1.09
3 – 5	37 – 41	1.10
6 – 8	42 – 47	1.11
9 – 11	48 – 52	1.12
12 – 13	53 – 56	1.13
14 – 15	57 – 59	1.14

R744 (CO₂)

Температурный диапазон:
-56 – 15 °C / -69 – 59 °F

Температура [°C]	Температура [°F]	Диэлектрическая проницаемость. Параметр 2.5.3 GAS EPS.R
-56.0 – -42.0	-69 – -43	1.01
-41.0 – -28.0	-42 – -18	1.02
-27.0 – -17.0	-17 – 2	1.03
-16.0 – -9.0	3 – 16	1.04
-8.0 – -3.0	17 – 27	1.05
-2.0 – 2	28 – 36	1.06
3 – 7	37 – 45	1.07
8 – 11	46 – 52	1.08
12 – 14	53 – 58	1.09
15	59	1.10

R134a

Температурный диапазон:
-60 – 50 °C / -76 – 122 °F

Температура [°C]	Температура [°F]	Диэлектрическая проницаемость. Параметр 2.5.3 GAS EPS.R
-60 → -42	-76 → -43	1.00
-41 → -18	-42 → 0	1.01
-17 → -4	1 → 25	1.02
-3 → 5	26 → 41	1.03
6 → 13	42 → 56	1.04
14 → 20	57 → 68	1.05
21 → 25	69 → 77	1.06
26 → 30	78 → 86	1.07
31 → 34	87 → 94	1.08
35 → 38	95 → 100	1.09
39 → 42	101 → 108	1.10
43 → 45	109 → 113	1.11
46 → 48	114 → 119	1.12
49 → 50	120 → 122	1.13

R404A

Температурный диапазон:
-60 – 15 °C / -76 – 59 °F

Температура [°C]	Температура [°F]	Диэлектрическая проницаемость. Параметр 2.5.3 GAS EPS.R
-60 – -47	-76 – -52	1.01
-46 – -35	-51 – -31	1.02
-34 – -26	-30 – -14	1.03
-25 – -19	-13 – -2	1.04
-18 – -14	-1 – 7	1.05
-13 – -9	8 – 16	1.06
-8 – -4	17 – 25	1.07
-3 – 0	26 – 32	1.08
1 – 3	33 – 38	1.09
4 – 6	39 – 43	1.10
7 – 9	44 – 49	1.11
10 – 12	50 – 54	1.12
13 – 15	55 – 59	1.13

Как изменить язык вывода информации на экран (по умолчанию задан английский язык)

Начальное меню

AKS 4100
Дистанция
5000 mm

- Нажмите

AKS 4100
1.0.0
БЫСТРАЯ НАСТРОЙКА

- Нажмите

AKS 4100
2.0.0
Супервизор

- Нажмите

AKS 4100
2.0.0

Enter password:

AKS 4100
2.1.0
Информация

- Нажмите 6 раз

AKS 4100
2.7.0
Изображение

- Нажмите

AKS 4100
2.7.1
LANGUAGE

- Нажмите

AKS 4100
Язык
Русский

- Нажмите или для выбора языка. Нажмите для подтверждения .

AKS 4100
2.7.1
Язык

- Нажмите 3 раза

AKS 4100
1.0.0
Сохранить НЕТ

- Нажмите или для выбора Сохранить НЕТ или Сохранить ДА. Нажмите для подтверждения .

AKS 4100
Дистанция
5000 mm

Изменение языка закончено.

Возврат к заводским настройкам

- Войдите в меню **Супервизор** (см. стр. 7).
- Выберите параметр 2.9.4 завод.настр.
- Выберите завод.настр. ДА
- Нажмите 3 раза .

Возврат к заводским настройкам закончен.

