



# Instructions

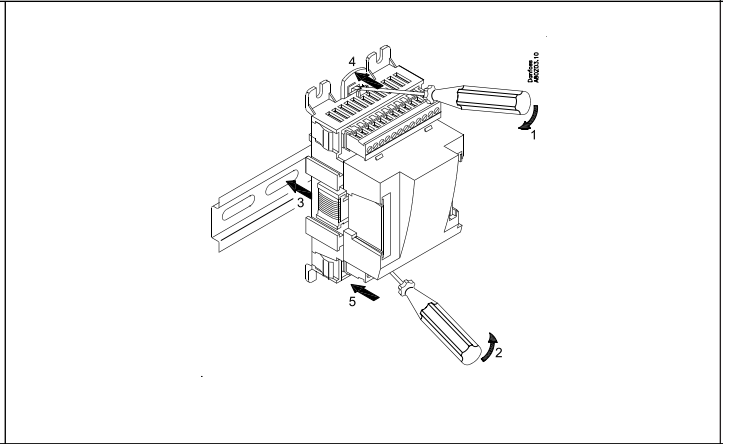
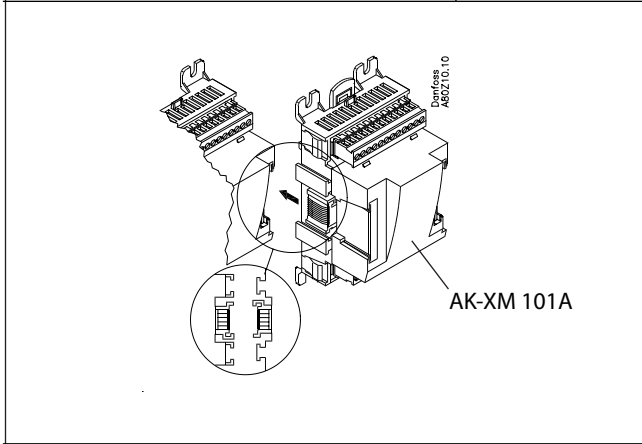
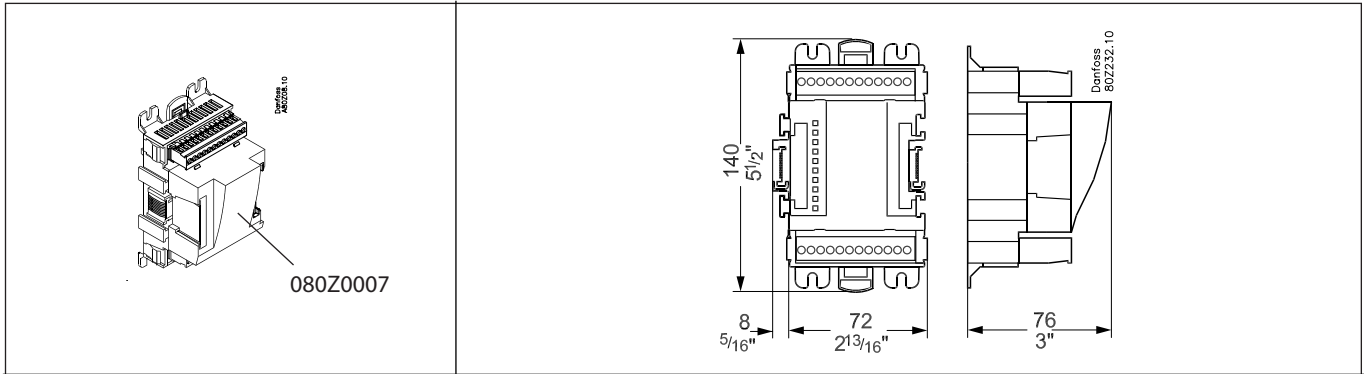
## AK-XM 101A




080R9212

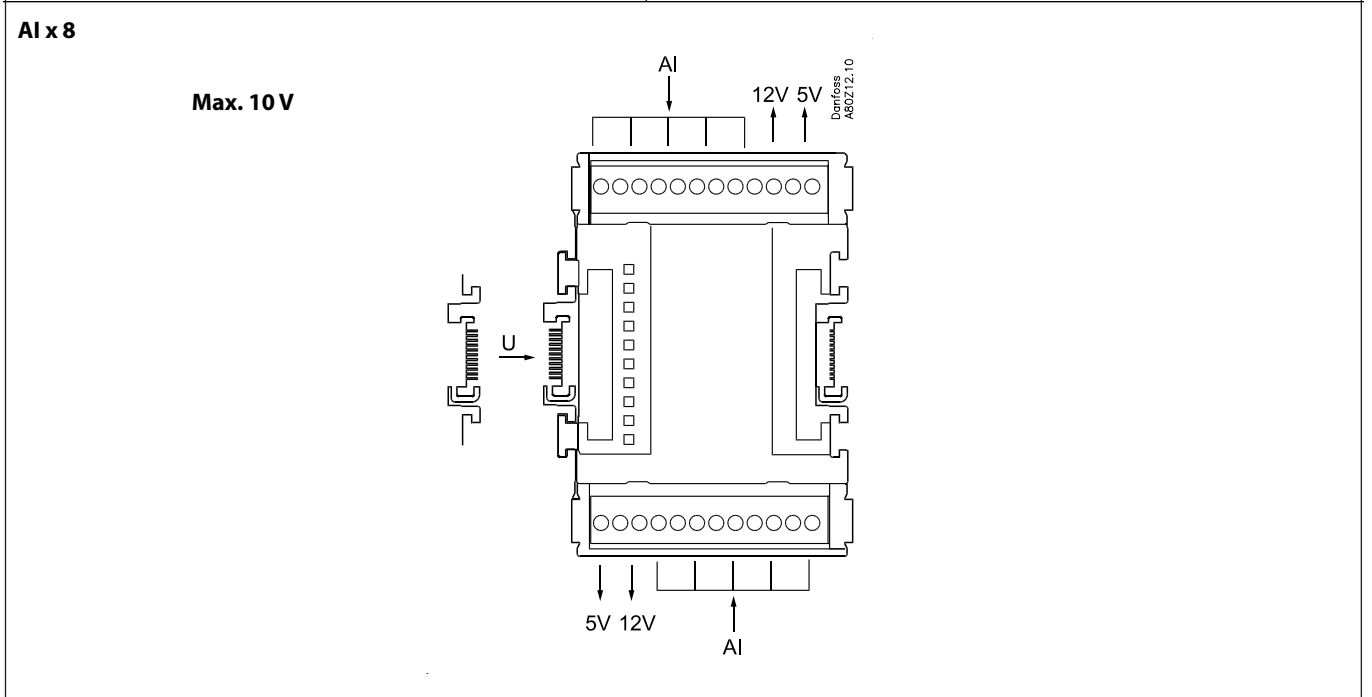


R18HF402



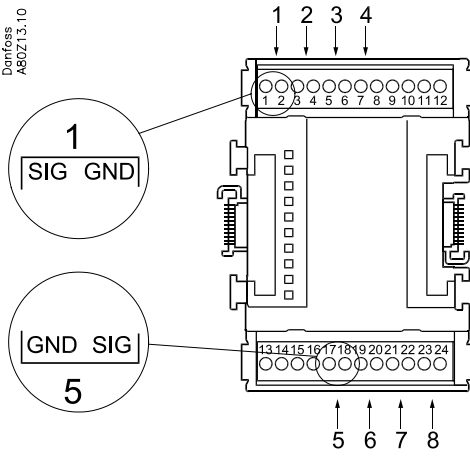
**CE**  
 $-20^{\circ} < t_{amb} < 55^{\circ}C$   
 $-0^{\circ}F < t_{amb} < 130^{\circ}F$   
 0 - 95% RH, non condensing  
 IP10 / VBG4  
 UL: E166834


**Warning**  
 Ensure power is disconnected before adding or removing Modules



**Point**

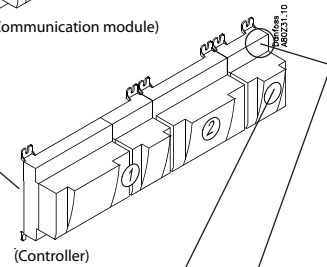
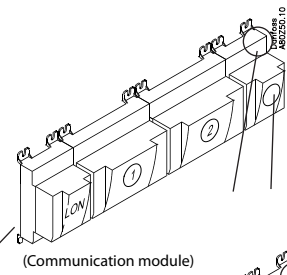
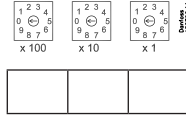
Denfoss  
AB027.1.3.10



- Terminal 9: 12V
- Terminal 10: 5V
- Terminal 15: 5V
- Terminal 16: 12V
- Terminal 11, 12, 13, 14:

	Signal	Signal type
<b>S (sensor)</b> Pt 1000 ohm/0°C 	S1 S2 Saux1 SSA SdA	Pt 1000
<b>P (pressure)</b> AKS 32R  AKS 32 	P0A P0B PcA PcB	AKS 32R -1 - xx bar  AKS 32 -1 - zz bar
<b>U (voltage)</b> 	...	0 - 5V 0 - 10V
<b>On/Off</b> 	Ext. Main switch  Day/ Night  Door	<b>Active at:</b>  Closed / Open

**Address**



Signal	Signal type / Active at	Module	Point	Terminals
			1 (AI 1)	1 - 2
			2 (AI 2)	3 - 4
			3 (AI 3)	5 - 6
			4 (AI 4)	7 - 8
			5 (AI 5)	17 - 18
			6 (AI 6)	19 - 20
			7 (AI 7)	21 - 22
			8 (AI 8)	23 - 24

The Product contains electrical components And may not be disposed together with domestic waste. Equipment must be separate collected with Electrical and Electronic waste. According to Local and currently valid legislation.