

Data sheets

For standard refrigerants > Standard series

| Technical data: | | |
|---|-------------|-----------------------------------|
| Cylinders | # | 2 |
| Displacement @ 50 Hz | m3/h [50Hz] | 8.96 |
| Displacement @ 60 Hz | m3/h [60Hz] | 10.8 |
| Motor version[1] | | 2 |
| Nominal Motor power | HP | 1.5 |
| Nominal Motor power | kW | 1.1 |
| Motor voltage at 50 Hz[2] | V/ph/Hz | 220-240V - 380-420V/3/50Hz DOL |
| Motor voltage at 60 Hz[2] | V/ph/Hz | 265-290V - 440-480V/3/60Hz DOL |
| MRA, max operating current at 230V/50Hz and 280V/60Hz | A | 10.2 |
| MRA, max operating current at 400V/50Hz and 460V/60Hz | A | 5.9 |
| LRA, max starting current at 230V/50Hz and 280V/60Hz, DOL motor | A | 46.6 |
| Frequency min | Hz | 30 |
| Frequency max[3] | Hz | 87 |
| Control and protection device | | INT69® |
| Electric terminal box class protection | | IP56 |
| Maximum pressure HP | bar | 30 |
| Maximum pressure LP | bar | 20.5 |
| Oil type[4] | | POE32 |
| Oil charge (3/4 of sight glass) | l | 1 |
| Lubrication type | | Centrifugal |
| Suction valve (SV) | inch | ¾ |
| Discharge valve (DV) | inch | ½ |
| Net weight | kg | 38 |
| Max Length | mm | 329 |
| Max Width | mm | 237 |
| Max Height | mm | 292 |
| Rubber mounts diameter | mm | 30 |
| Rubber mounts height | mm | 30 |
| Rubber mounts shore | sh | 45 |
| Sound power level (-10/45, R404A)[5] | dB(A) | 63.5 |
| Sound pressure level @ 1m (-10/45, R404A)[5] | dB(A) | 55.5 |
| Compressor body material | | Ghisa GJL250 |
| Motor protection | | PTC |
| Oil level sight glass | # | 1 |
| LRA, max starting current at 400V/50Hz and 460V/60Hz, DOL motor | A | 26.8 |

[1] Motor version: 1 = high and mid temp. all refrigerants; 2 = low and mid temp. all refrigerants; 3 = ECOinside, low temp. R134a, R1234ze, R1234yf only

[2] Other motor voltage available on request

[3] Maximum frequency depends on the working conditions: use the FSS.3 (Frascold selection software)

[4] For alternative lubricants refer to bulletin FTEC022

[5] Sound pressure in free field, hemispherical model at 1 meter distance, 50Hz; PWL and SPL in different conditions are available on

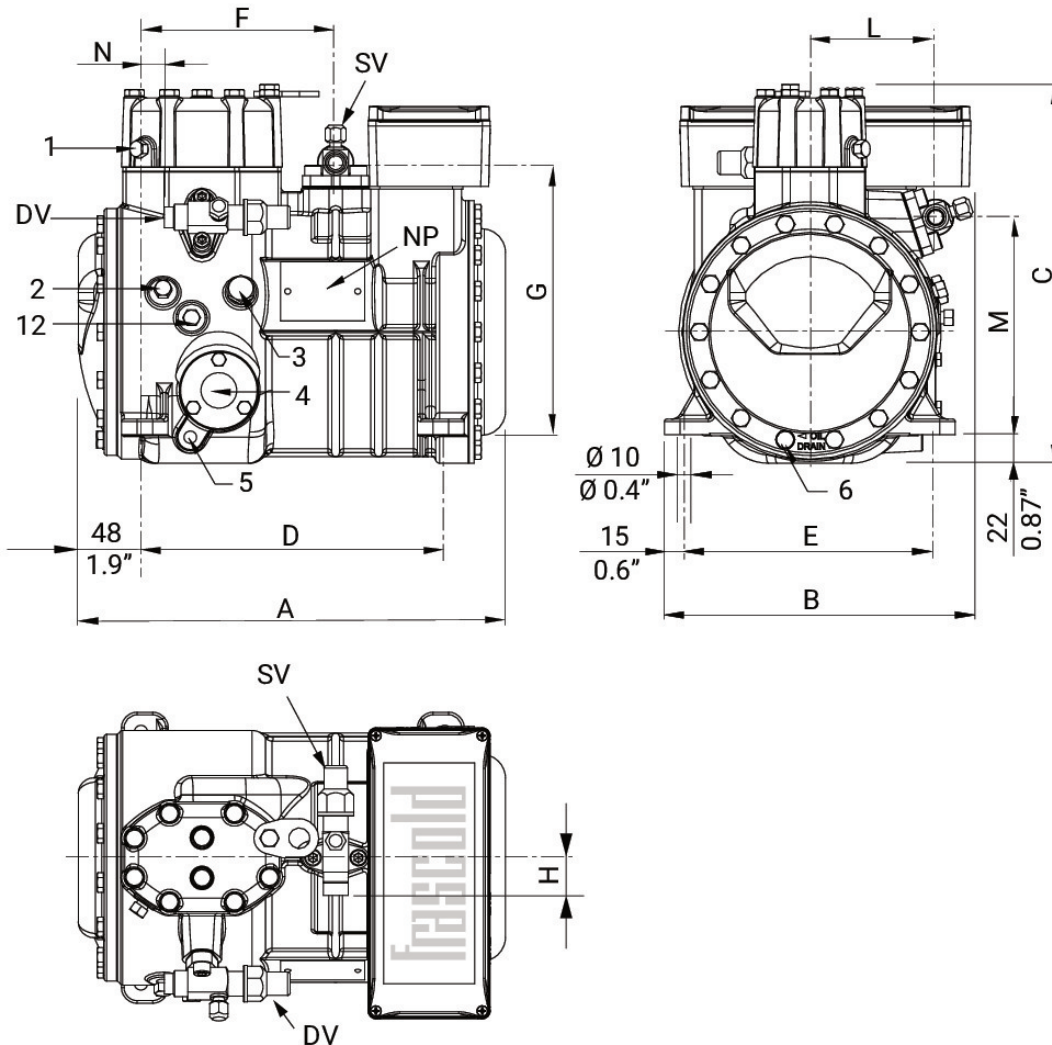
Data sheets

For standard refrigerants > Standard series

| Accessories: | |
|--|--------------|
| Water cooled head | T00SK50030 |
| Electronic control module - INT 69 Diagnose (230/110V) | T00EC01D-RIC |
| Oil heater (230V-50W) | T00CH13-RIC |
| Head cooling fan - 230V/1/50-60Hz | SZ-FM1 |
| Electronic oil level regulator - INT280 Diagnose 230V AC | T00EC1900 |
| Kit adapters for oil equalization line - 1" ROT 5/8" ODS | T00SK170200 |
| Kit adapters for oil equalization line - 1"1/4 ROT 1"1/8 ODS | T00SK170300 |
| DP Modbus Gateway | T00EC59 |
| Connection cable Modbus Gateway - INT69 | T00EC64 |

Data sheets

For standard refrigerants > Standard series



Dimensional drawing:

| | | |
|--------------------------|------|----------|
| SV Suction valve (SV) | mm | 15.8 |
| DV Discharge valve (DV) | mm | 12.7 |
| SV Suction valve (SV) | inch | 5/8 |
| DV Discharge valve (DV) | inch | 1/2 |
| A Length (A) | mm | 329 |
| B Width (B) | mm | 237 |
| C Height (C) | mm | 292 |
| D Base mounting (D) | mm | 234 |
| E Base mounting (E) | mm | 194 |
| F Suction valve (F) | mm | 150 |
| G Suction valve (G) | mm | 209 |
| L Discharge valve (L) | mm | 97 |
| M Discharge valve (M) | mm | 167 |
| N Discharge valve (N) | mm | 18 |
| 1 High pressure plug (1) | | 1/8" NPT |
| 2 Low pressure plug (2) | | 1/8" NPT |

| | |
|-----------------------------|----------|
| 3 Oil charge plug (3) | 1/4" GAS |
| 4 Oil level sight glass (4) | - |
| 5 Crankcase heater (5) | - |
| 6 Oil drain plug (6) | M8 x 22 |
| 12 Oil return plug (12) | 1/8" NPT |
| NP Name Plate (NP) | - |